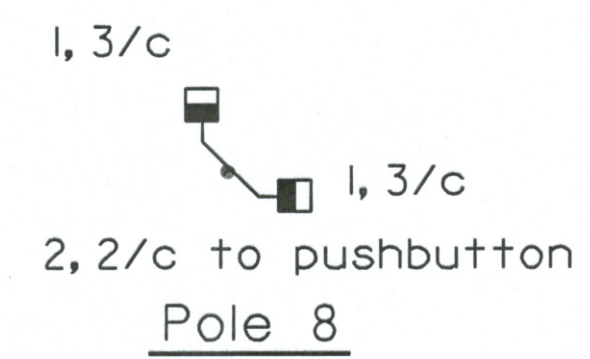
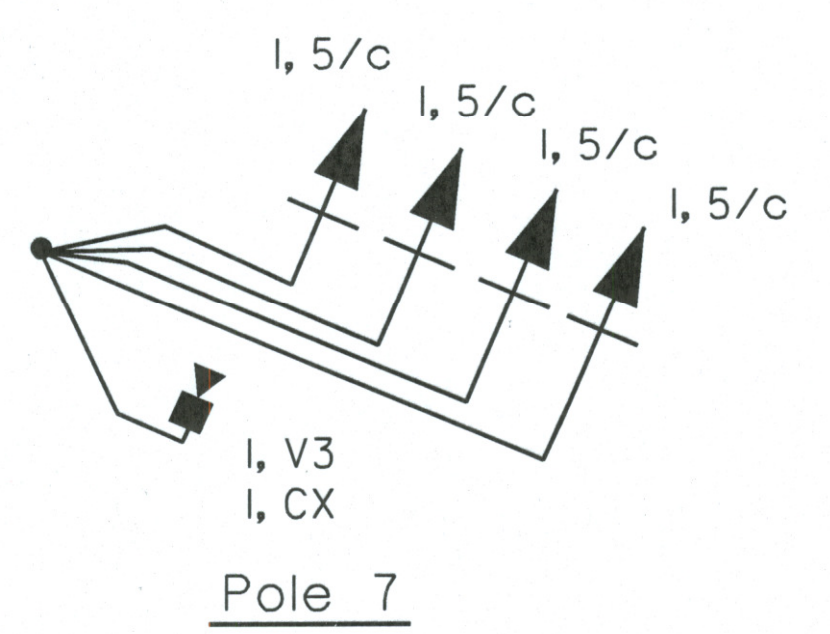
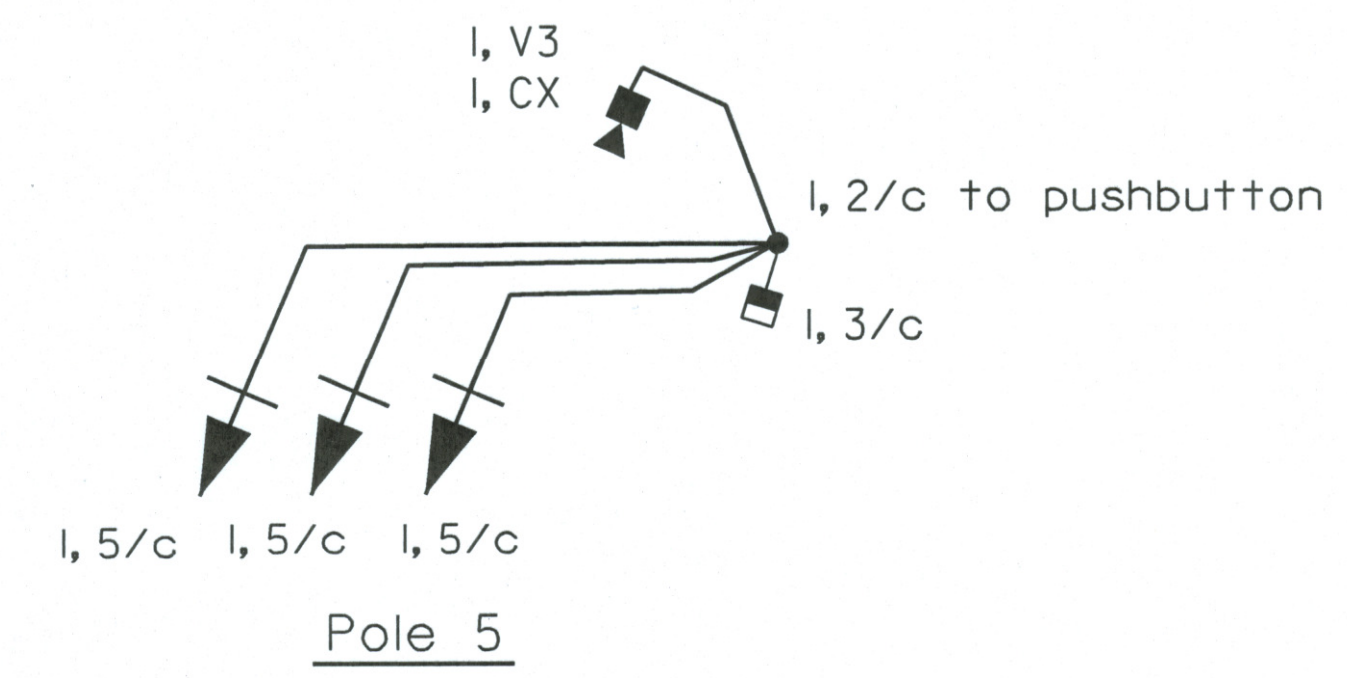
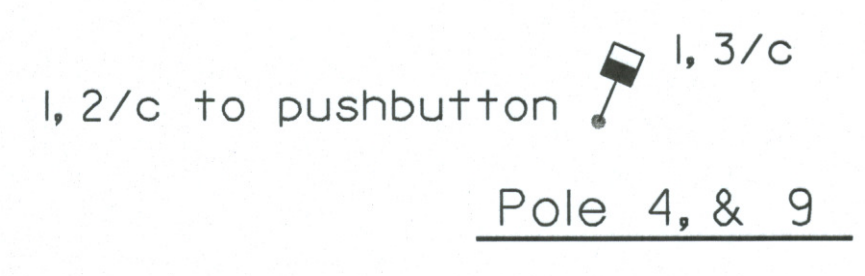
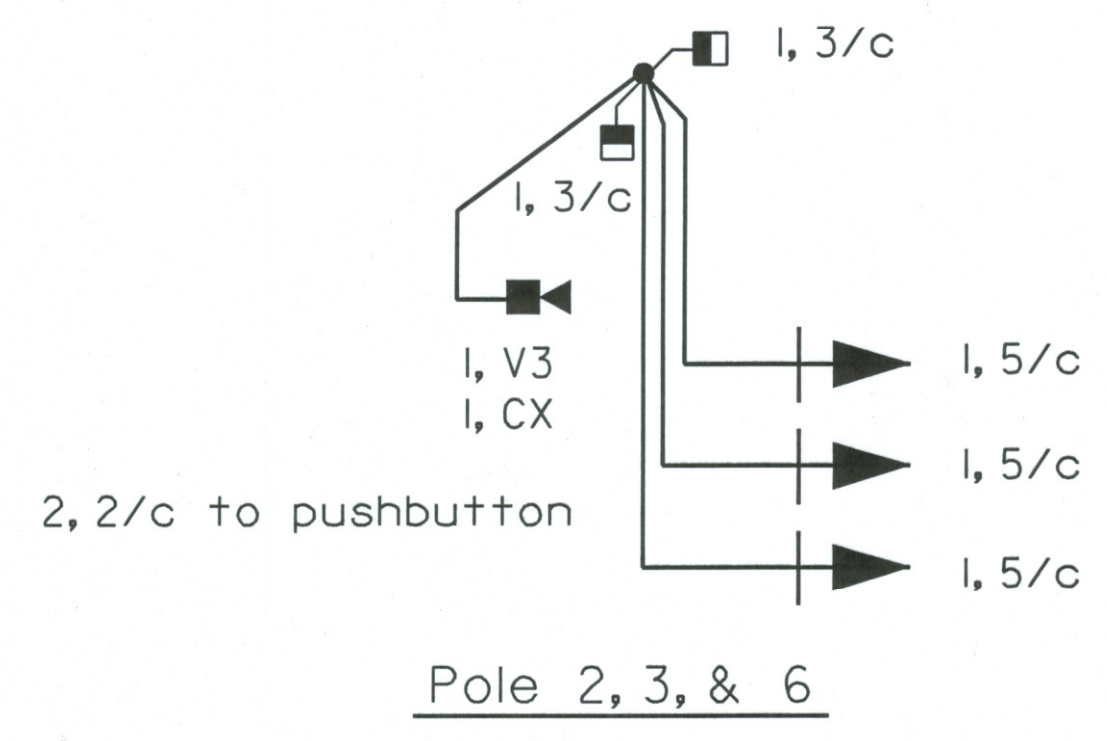
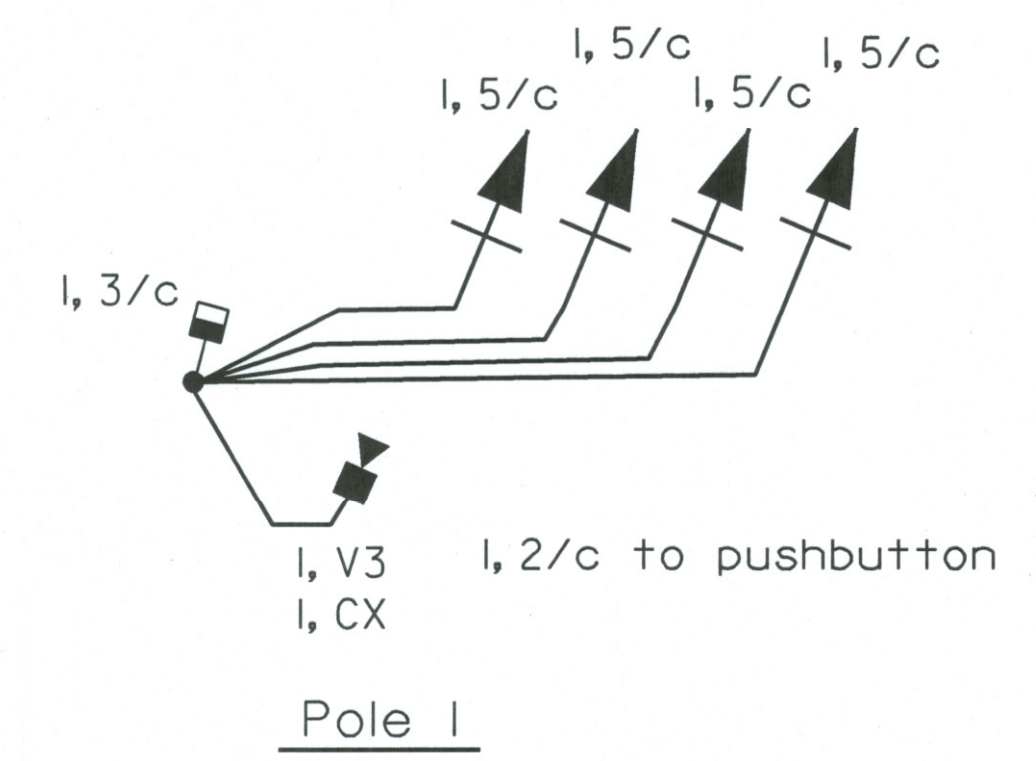
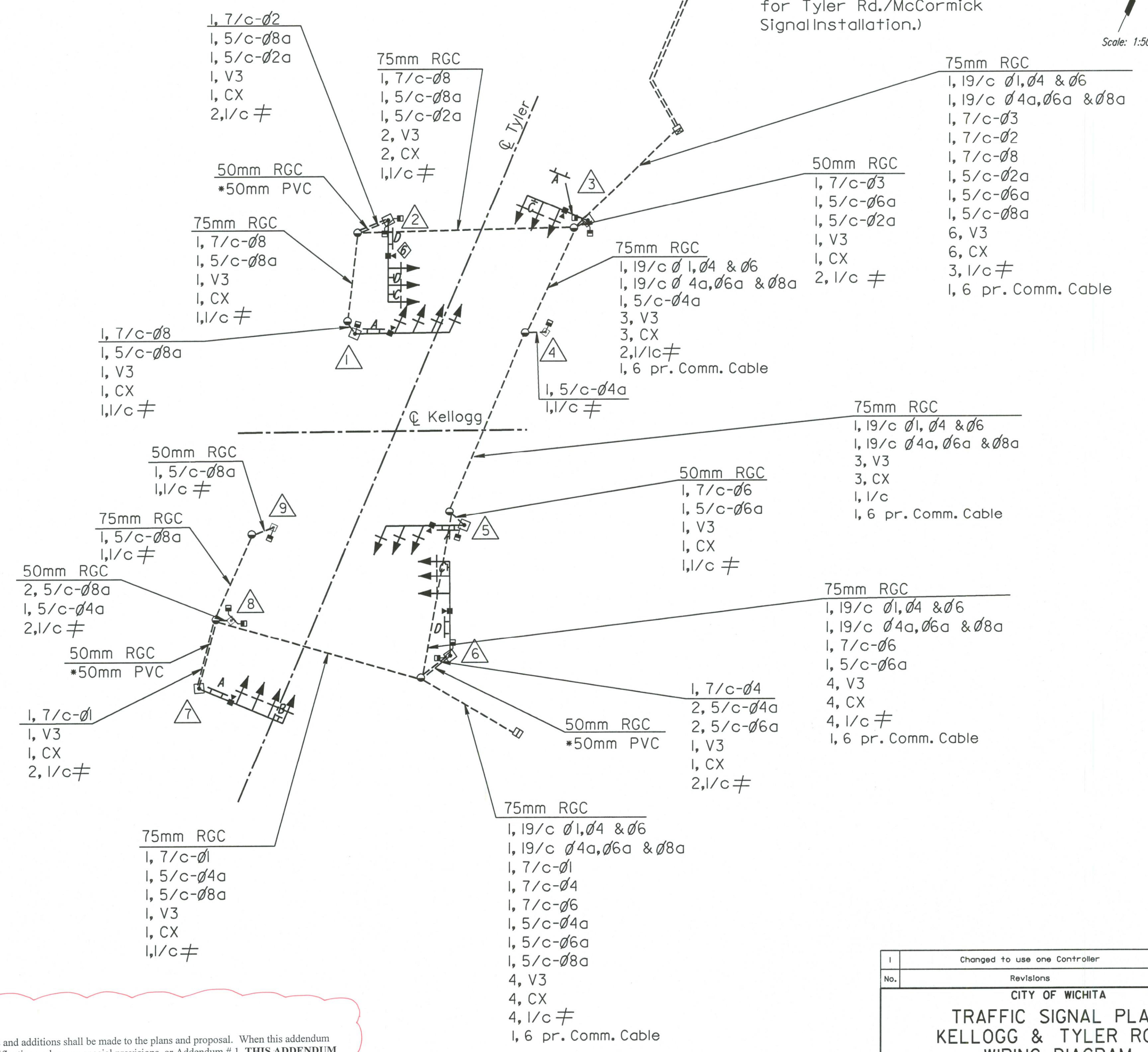


DATE	
BY	
REFERENCES NOTED	
REFERENCES CHECKED	



LEGEND

- * See Lighting Plan
- ≠ Ground Wire No. 8 AWG, 1/c
- ⊕ Power Supply 2 No. 6 AWG, 1/c
- V3 Video Power Cable No. 16 AWG, 3/c
- 75 ohm Coax Video Cable
- 6 pr. Comm. Cable - PVC Jacketed No. 19 AWG Twisted Pair



ADDENDUM NO. 2:
 The following changes and additions shall be made to the plans and proposal. When this addendum conflicts with the specifications, plans, or special provisions, or Addendum # 1, **THIS ADDENDUM SHALL GOVERN.**

Sheet 661

- Add a single 50mm PVC conduit from the Service Box at Sta. 17+294, 3m Rt. to the Service Box at Sta. 17+334, 15.5m Rt.

DSNR: RPG OPER: JGP SCALE: 1:500
 I:/1997/97362/TYLERWIRING_revision.DGN 7-11-2001 11:08:31 LAST REV: 6-8-2005 BY: SDM

1	Changed to use one Controller	RPG	5/24/05
No.	Revisions	By	Date
CITY OF WICHITA TRAFFIC SIGNAL PLAN KELLOGG & TYLER ROAD WIRING DIAGRAM SEDGWICK COUNTY			
Professional Engineering Consultants, P.A. <small>303 S. TOPEKA • WICHITA, KANSAS 67202 316-262-2691 • FAX 316-262-3003</small>			
Designed by	RPG	Checked by	BER
Drawn by	JSB	Date	April, 2002
		Job No.	97362