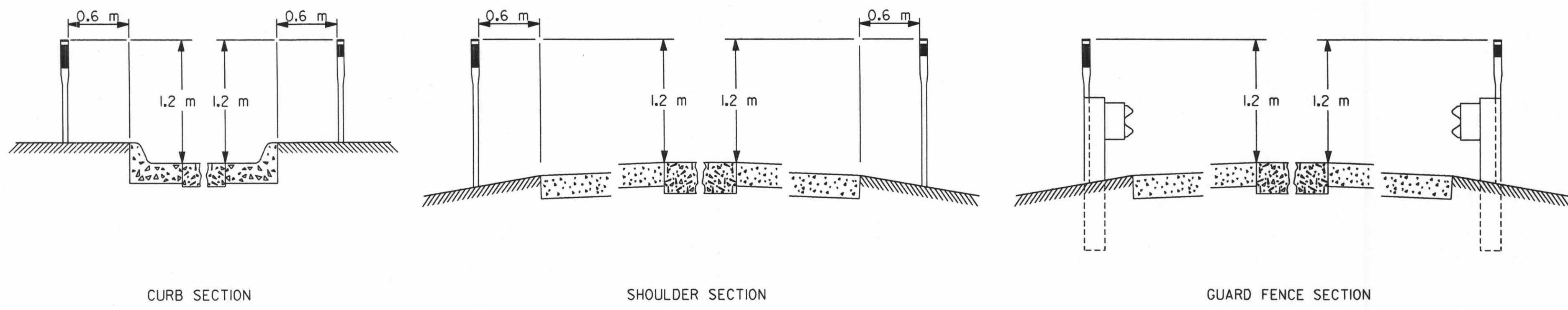
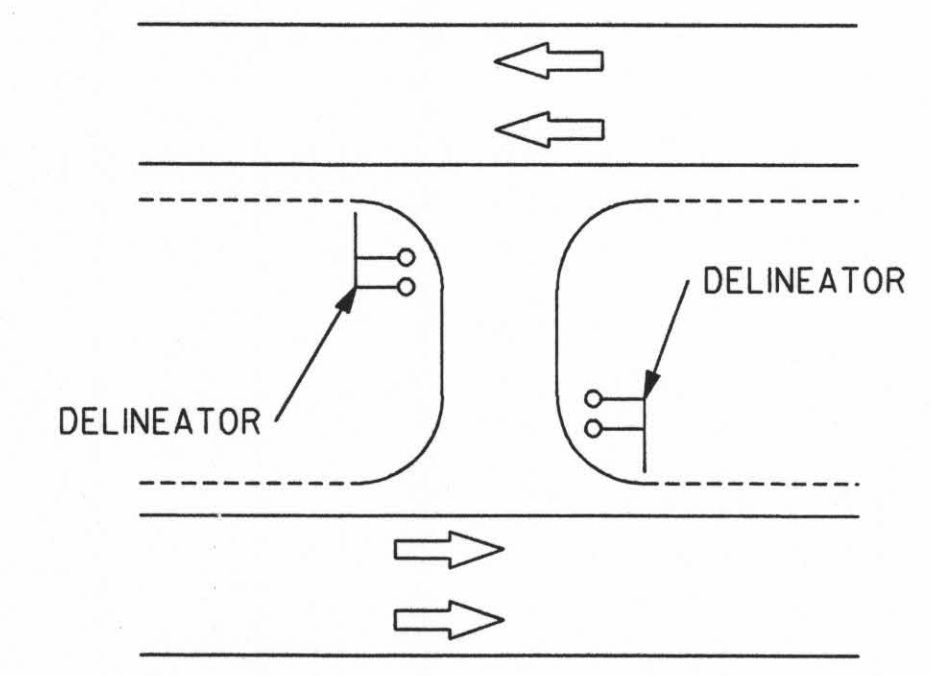


FHWA REGION NO.	STATE	PROJECT NO.	YEAR	SHEET NO.	TOTAL SHEETS
7	KANSAS	54-87 K-6657-01	2002	673	1122



CURB SECTION SHOULDER SECTION GUARD FENCE SECTION

TYPICAL DELINEATOR LOCATION FOR ROADSIDE MOUNTING
(See Delineator Note)



TYPICAL DELINEATOR LOCATION FOR MEDIAN CROSS-OVER
(See Delineator Note)

PATTERN OF DELINEATION

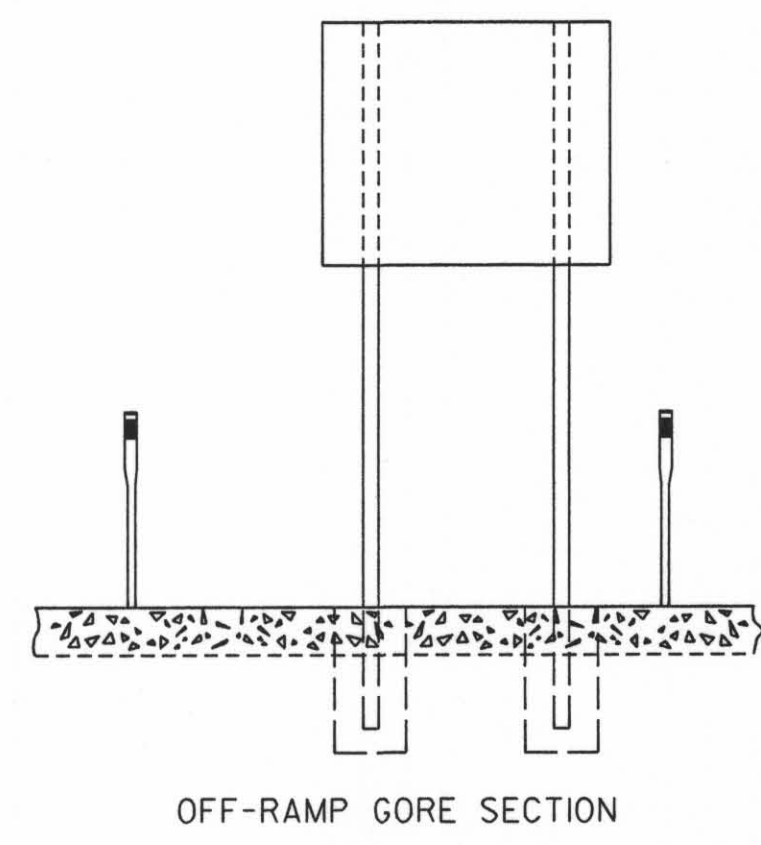
ROAD TYPE	RIGHT EDGE DELINEATOR	LEFT EDGE DELINEATOR
MAIN LINE	TYPE 'A' WHITE	TYPE 'A' YELLOW
ACCELERATION LANE DECELERATION LANE	TYPE 'B' WHITE	TYPE 'B' YELLOW
RAMP	TYPE 'A' WHITE	TYPE 'A' YELLOW
MEDIAN CROSS-OVER	-----	TYPE 'B' YELLOW

FLEXIBLE DELINEATOR POSTS AND ANCHORING DEVICES
The flexible delineator posts and anchoring devices shall comply with Subsection 2211 of the Standard Specifications for State Road and Bridge Construction (1990 Edition).

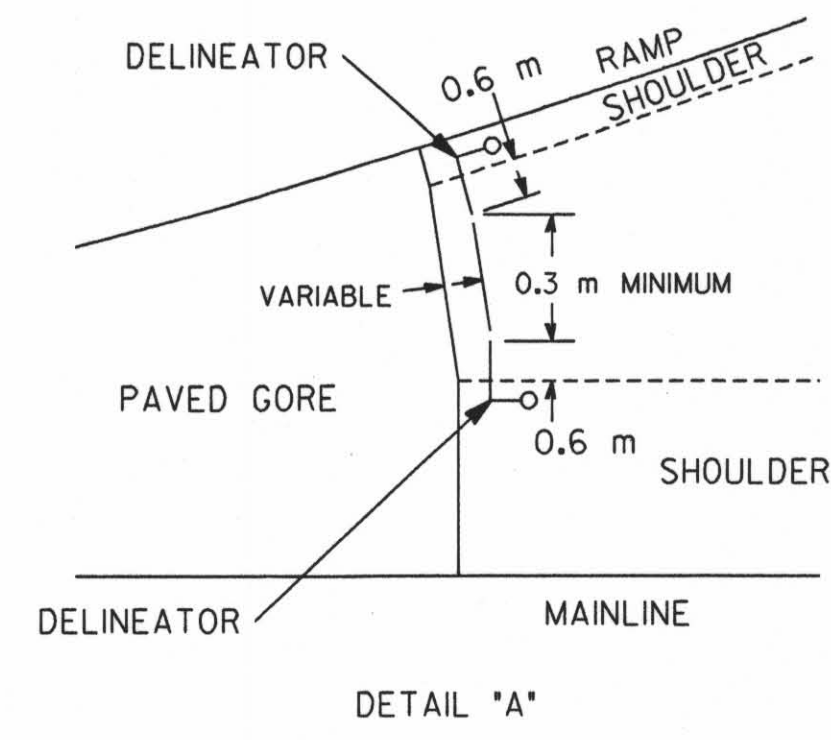
The total length of the flexible post shall be determined by the Contractor, as per location and anchoring device type.

REFLECTORIZATION

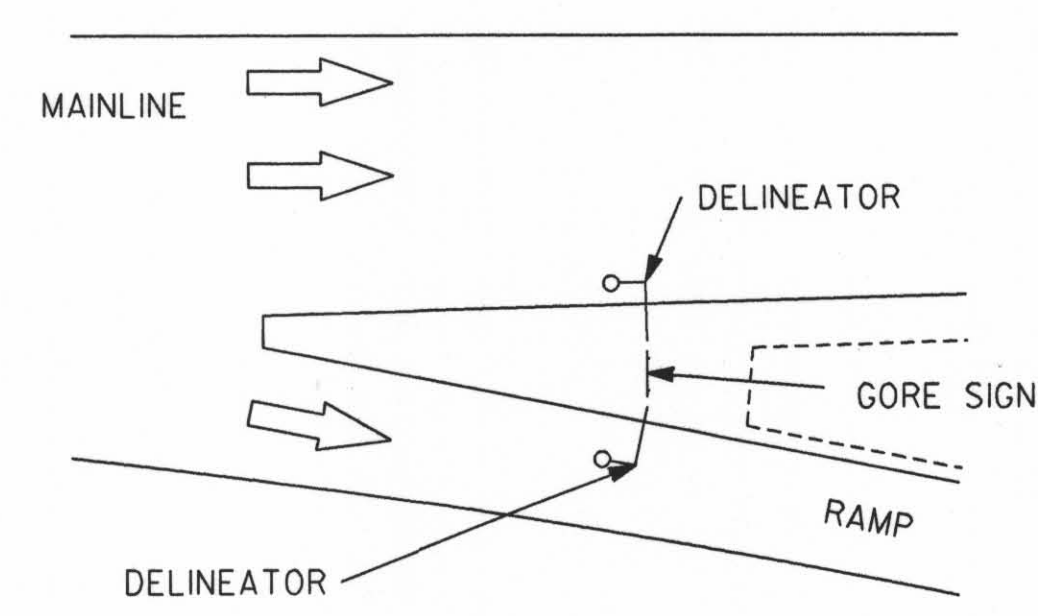
The reflectorized area shall be high performance retroreflective sheeting. The retroreflective areas of a Type 'A' delineator and Type 'B' delineator shall be 75 mm x 115 mm and 75 mm x 225 mm, respectively.



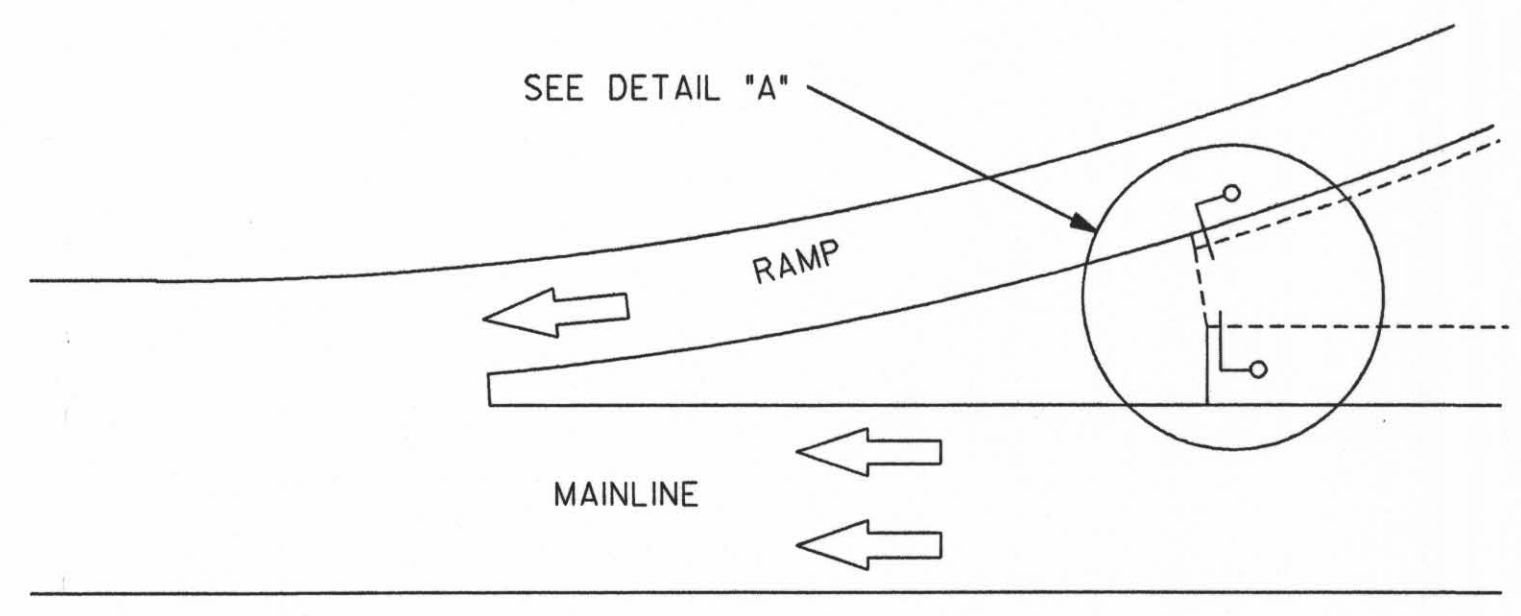
OFF-RAMP GORE SECTION



DETAIL 'A'

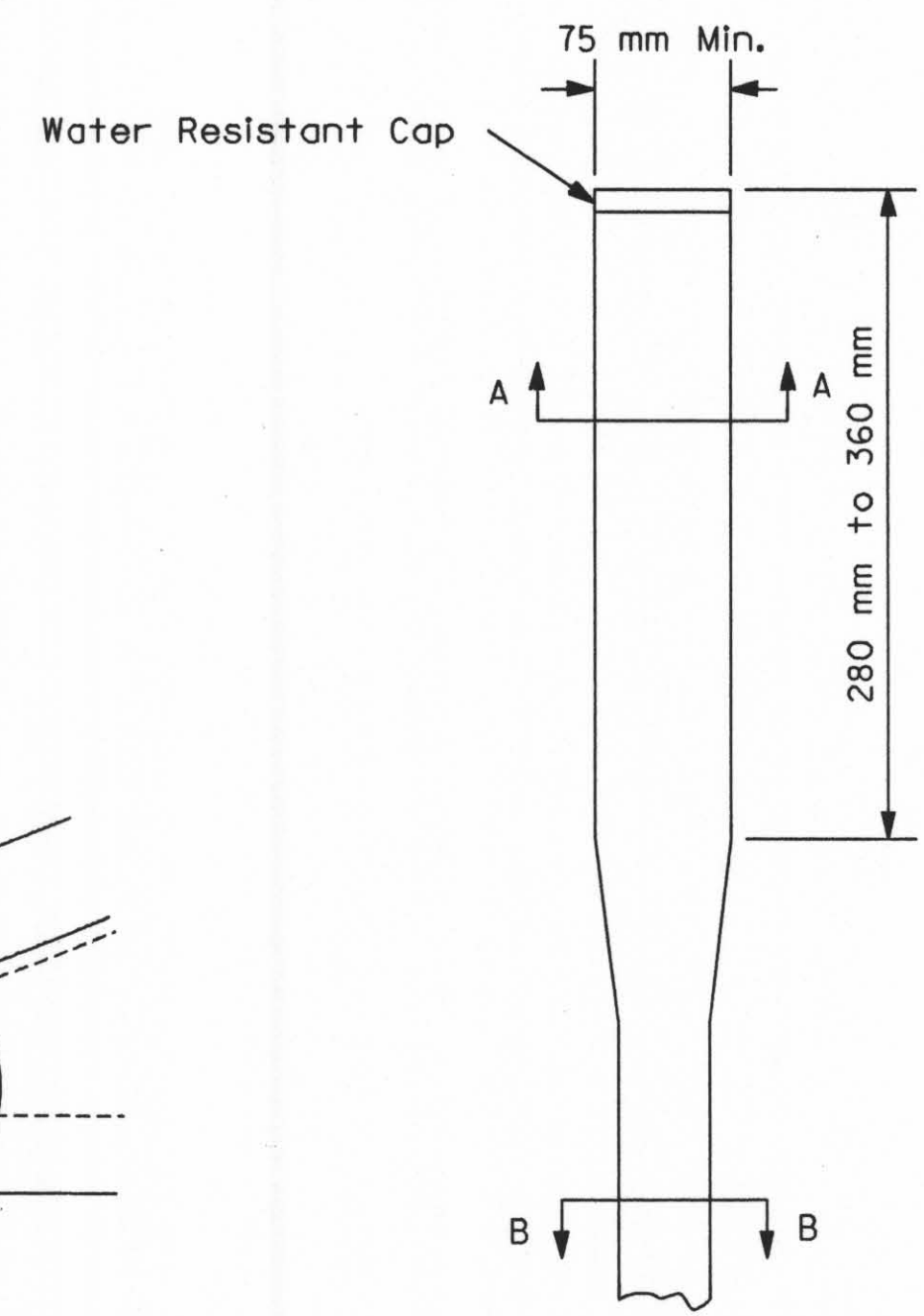


OFF-RAMP GORE

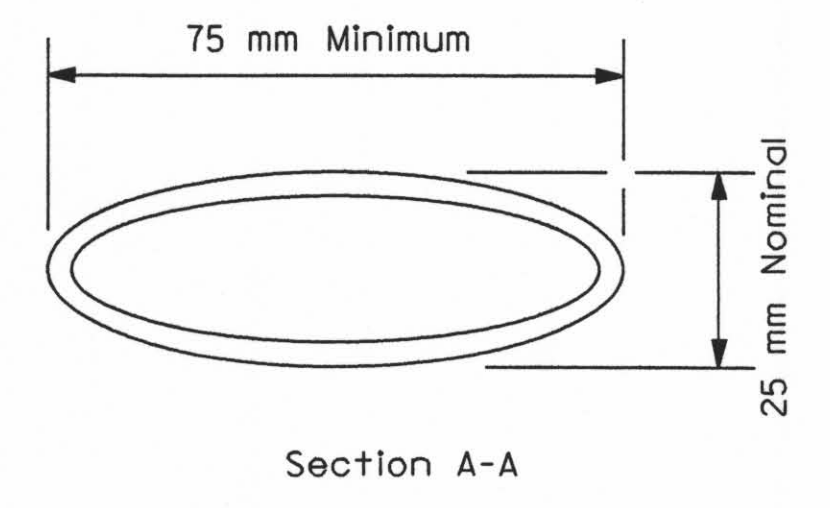


ON-RAMP GORE

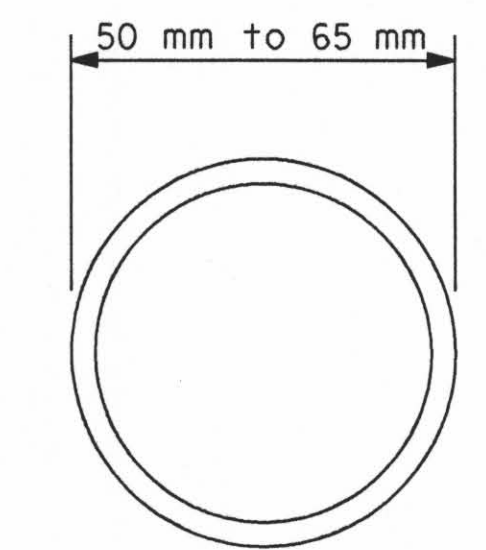
TYPICAL DELINEATOR LOCATION FOR ON-RAMP AND OFF-RAMP GORE MOUNTINGS
(See Delineator Note)



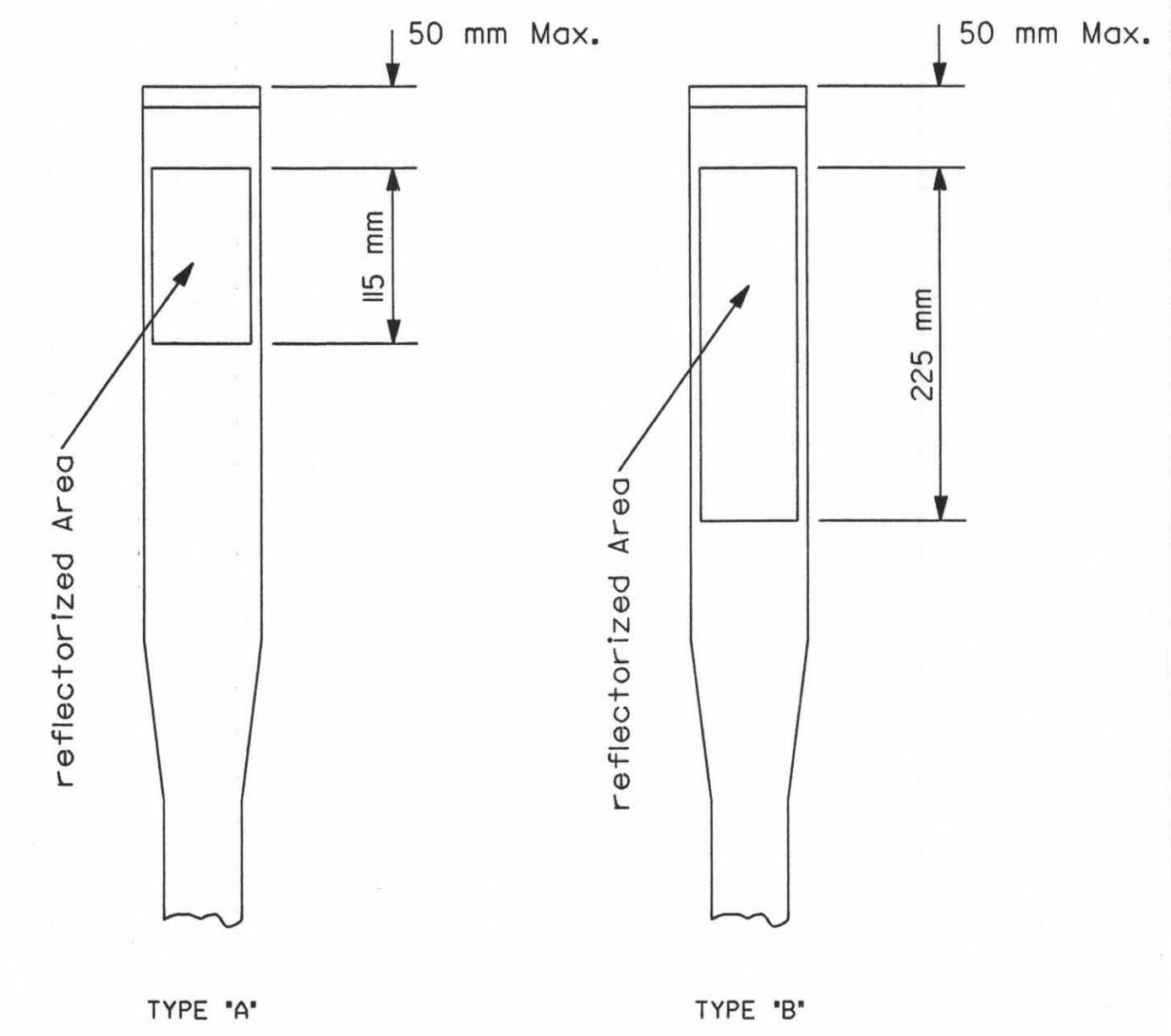
FLEXIBLE DELINEATOR POST DETAILS



Section A-A

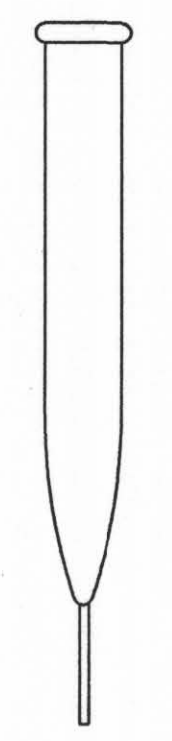


Section B-B

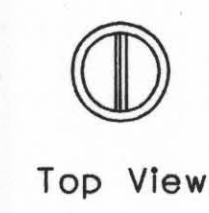


TYPICAL REFLECTORIZED AREA POSITIONING FOR FLEXIBLE POST MOUNTING

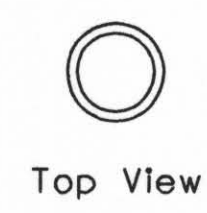
* DELINEATOR NOTE:
See 'Pattern of Delineation' table and/or plan sheet for type and color of delineator.



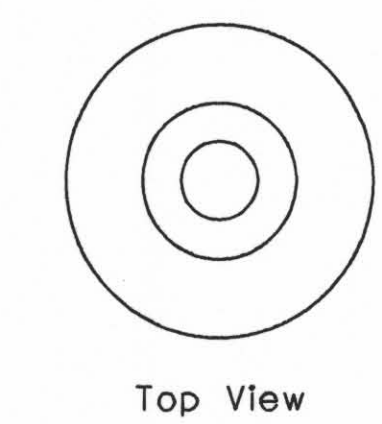
Type I



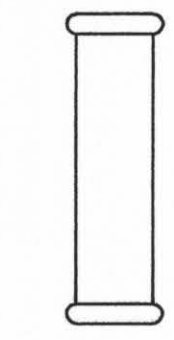
Top View



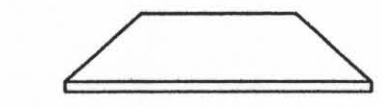
Top View



Top View



Type II



Type III

ANCHORING DEVICES FOR FLEXIBLE DELINEATORS

NO.	DATE	REVISION	BY	APP'D
4	10-28-99	ADD GUARD FENCE SECTION	TCP	MPM
3	10-28-99	CHANGED DELINEATOR NOTE	TCP	MPM
2	5-8-96	CHANGED DELINEATOR NOTE	TCP	NAB
1	5-8-96	REMOVED GUARD FENCE SECTION	TCP	NAB

KANSAS DEPARTMENT OF TRANSPORTATION
DESIGN DETAILS AND POSITIONING FOR DELINEATORS (FLEXIBLE POST MOUNT)
TE416SI 2-4-93

FHWA APPROVAL	11-9-99	APP'D	NELDA A. BUCKLEY
DESIGNED	DETAILED	QUANTITIES	TRACED
DESIGN CK.	DETAIL CK.	QUAN. CK.	TRACE CK.

DSNR: OPER: SVB SCALE: 1:1997/97362/SIGNING/STANDARDS/TE416SI.DGN 11-19-2001/14:41:05 LAST REV: 1-25-2002 BY: svb