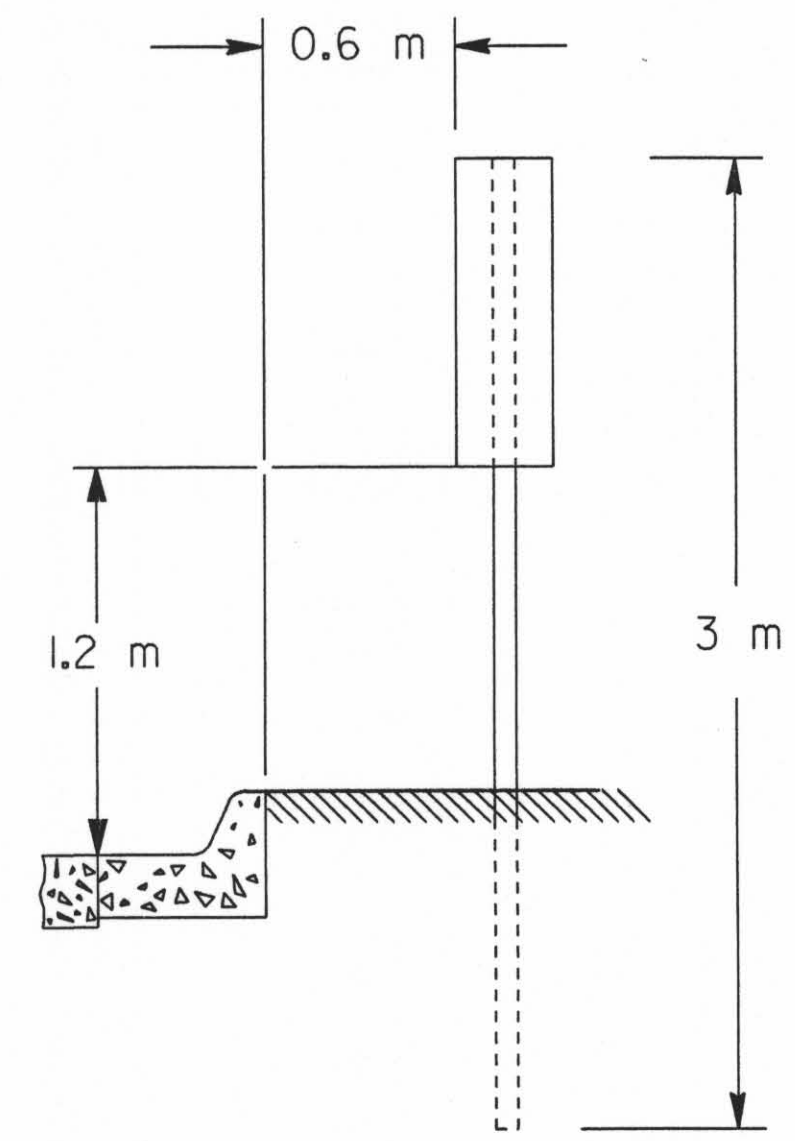
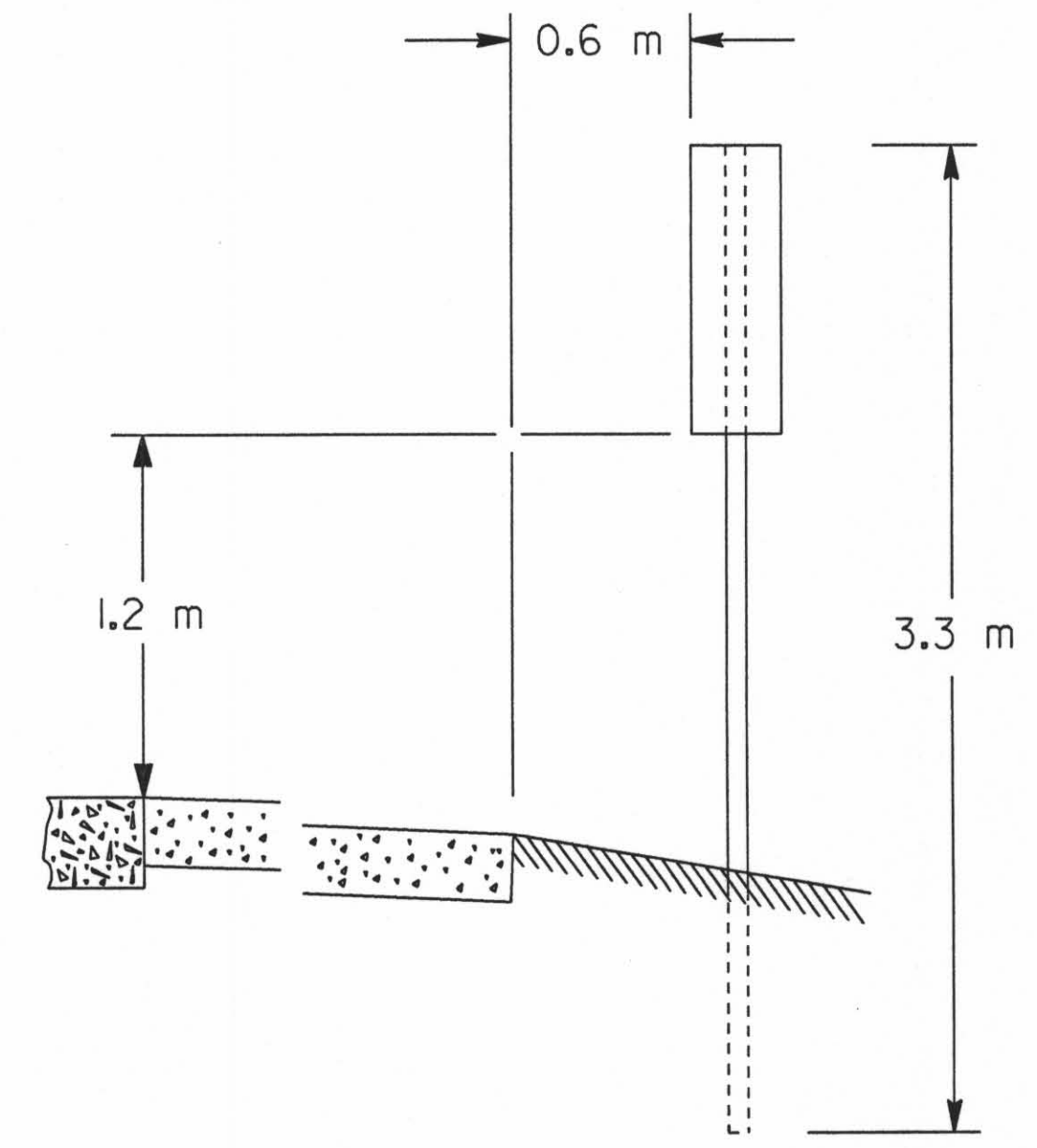


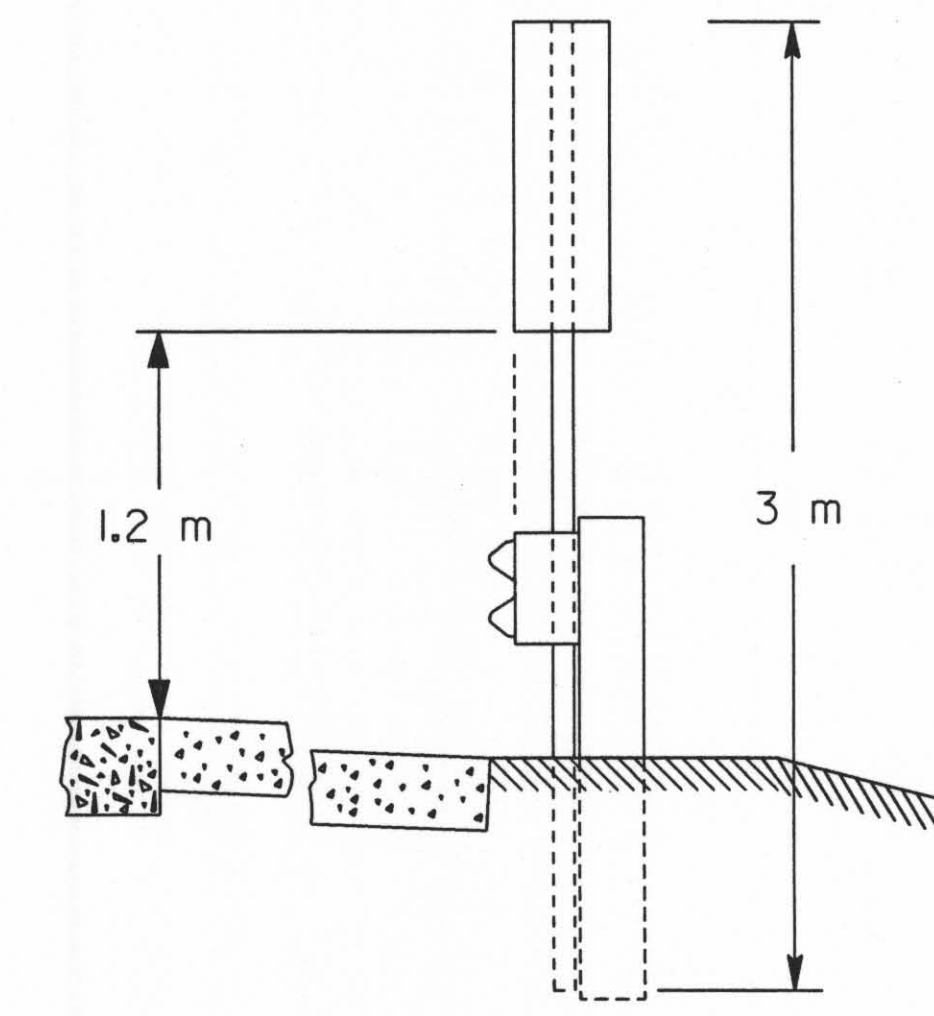
FHWA REGION NO.	STATE	PROJECT NO.	YEAR	SHEET NO.	TOTAL SHEETS
7	KANSAS	54-87 K-6657-01	2002	674	1122



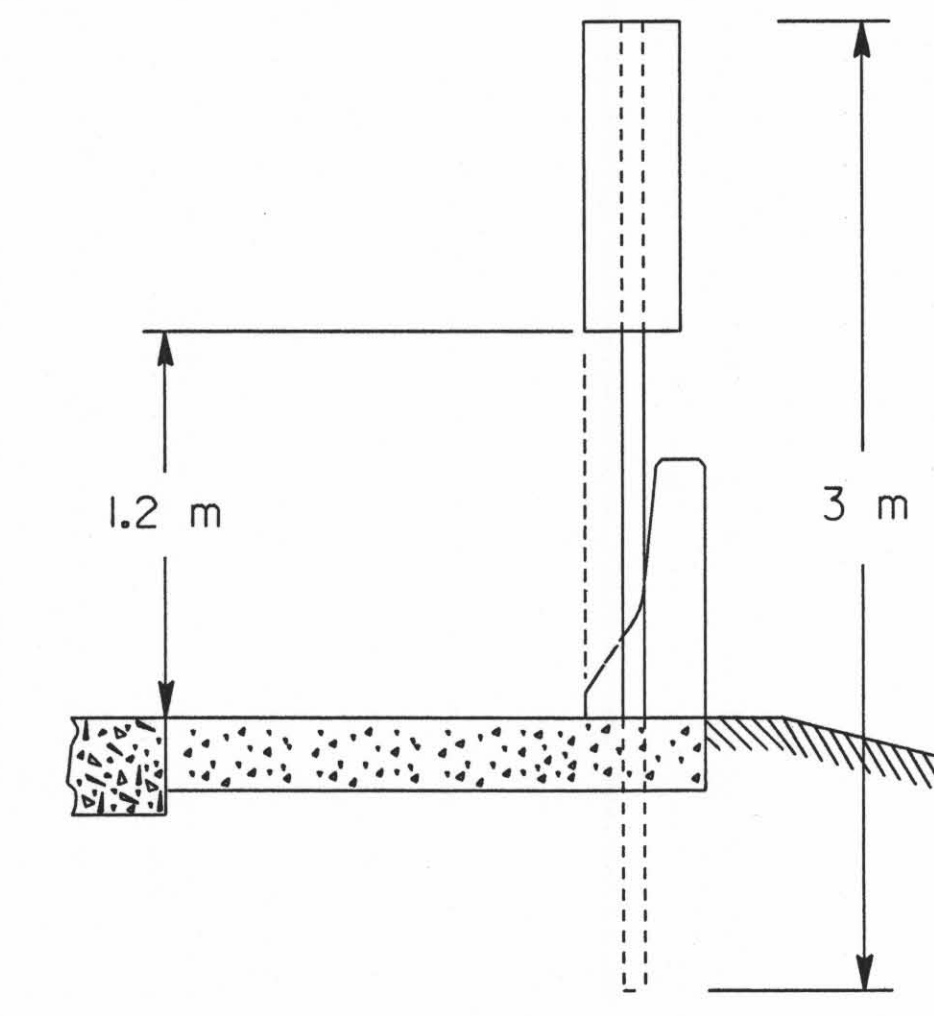
CURB SECTION



SHOULDER SECTION



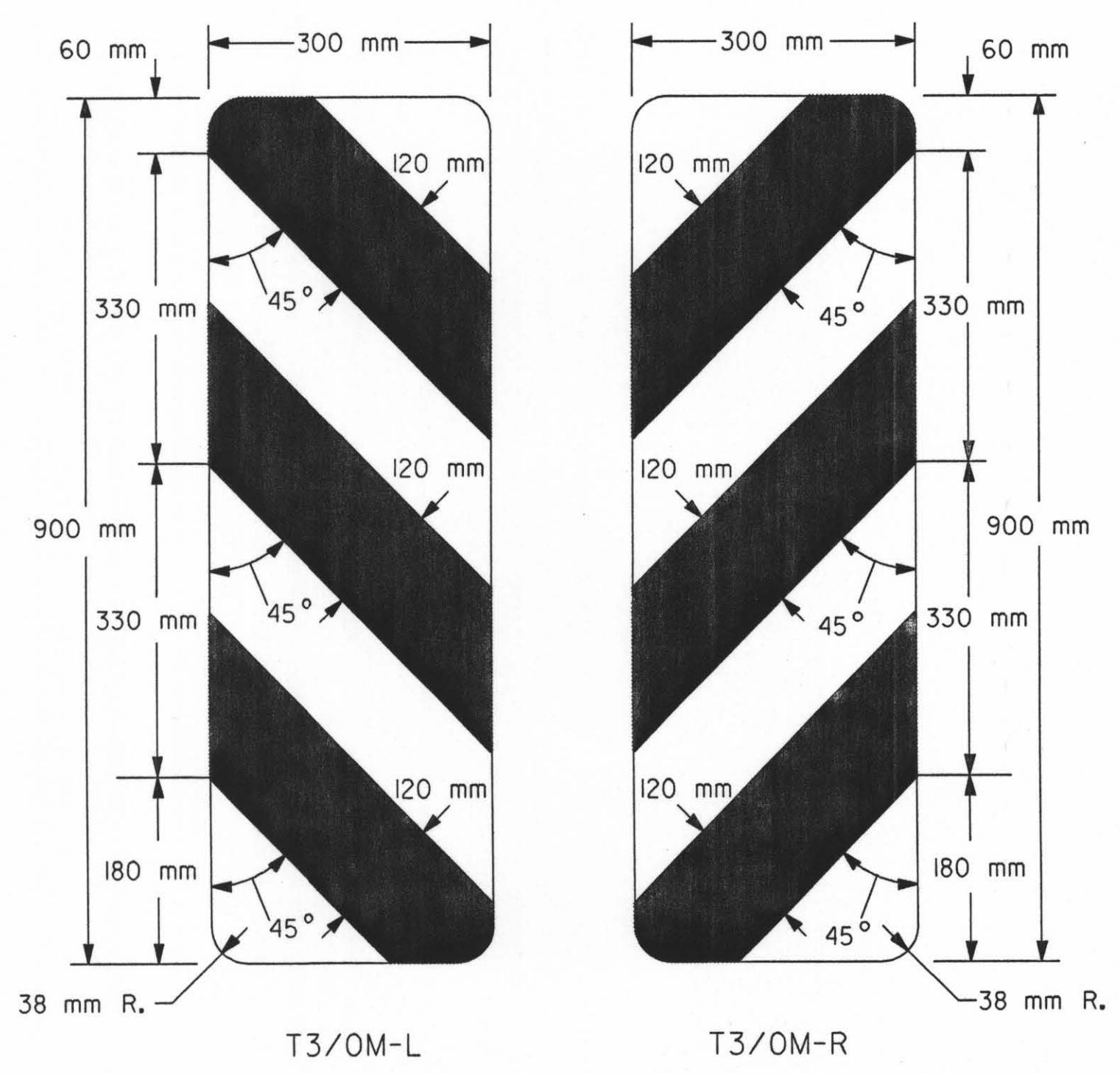
GUARD FENCE SECTION



BRIDGE OR CULVERT SECTION

NOTE: The object marker shall be placed a maximum of 1.05 m away from the structure end.

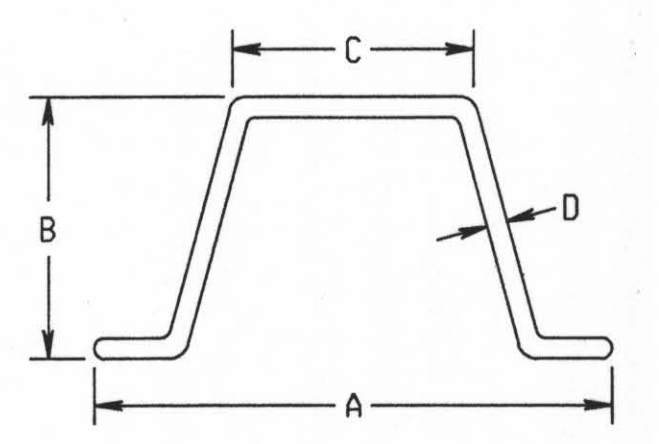
TYPICAL POSITIONING OF TYPE 3 OBJECT MARKER



T3/OM-L

T3/OM-R

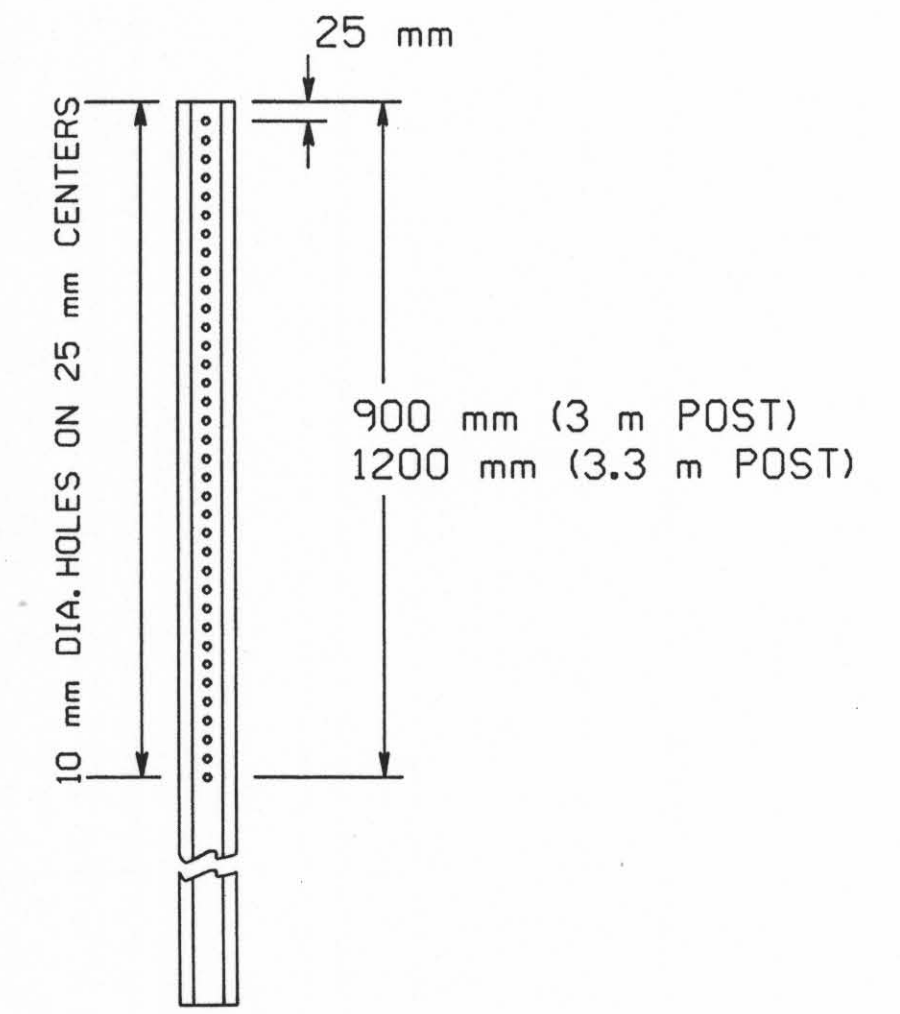
COLORS:
 □ YELLOW (RETROREFLECTIVE)
 ■ BLACK (NON-REFLECTIVE)



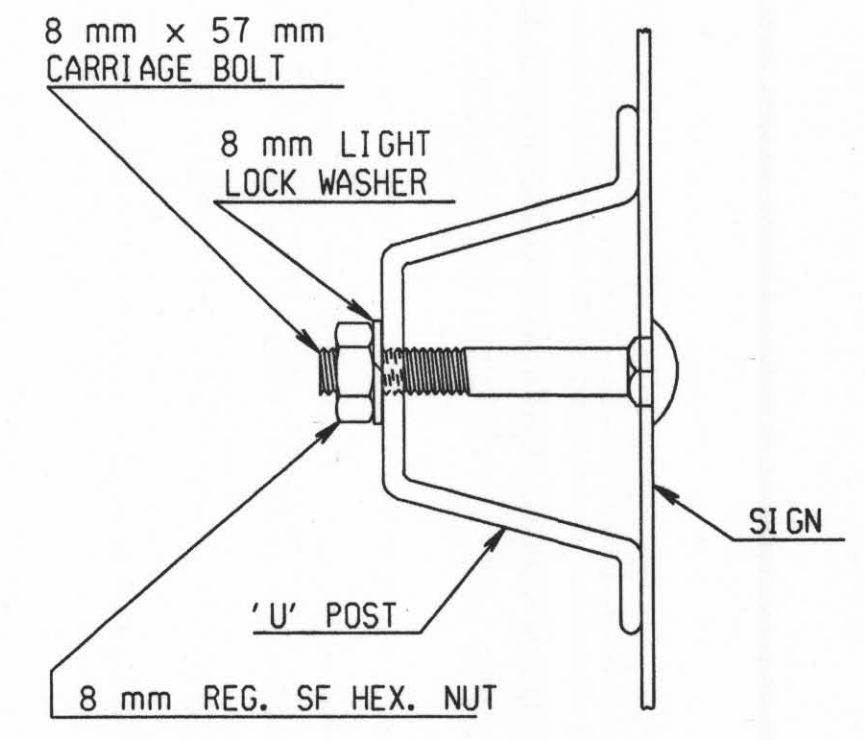
DIM.	3 kg/m
A	80 mm
B	39 mm
C	32 mm
D	3 mm

(DIMENSIONS ARE NOMINAL)

'U' POST DIMENSION DETAILS



'U' POST PUNCHING DETAILS



'U' POST MOUNTING DETAILS

FLAT SHEET OBJECT MARKERS
 See flat sheet sign blank detailsheets for aluminum alloys and thickness required.

The Type 3 object marker sign face shall be covered with high performance yellow retroreflective sheeting.

The type of adhesive for retroreflective sheeting shall be heat activated or pressure sensitive.

STEEL 'U' POSTS
 The steel 'U' post shall comply with Subsection 1620 of the Standard Specifications for State Road and Bridge Construction (1990 Edition).

FASTENING ACCESSORIES
 All items of fastening accessories shall be Zinc or Cadmium plated.

The carriage bolts, nuts, and washers shall comply with Subsection 1614 of the Standard Specifications for State Road and Bridge Construction (1990 Edition).

NO.	DATE	REVISION	BY	APP'D
3				
2	6/21/96	REMOVED BRIDGE OR CULVERT END TREATMENT	WPR	NAB
1	5/8/96	REMOVED GUARD FENCE STRUCTURE END TREATMENT	TCP	NAB

KANSAS DEPARTMENT OF TRANSPORTATION
 DESIGN, ASSEMBLY, AND POSITIONING
 DETAILS FOR
 TYPE 3 OBJECT MARKERS
 TE419SI 2-4-93

FHWA APPROVAL	8-1-96	APP'D	NELDA A. BUCKLEY
DESIGNED	KS	QUANTITIES	TRACED
DESIGN CK.	DETAIL CK.	QUAN. CK.	TRACE CK.

DSNR: OPER: SVB SCALE: 1:1997/97362/SIGNING/STANDARDS/TE419SI.DGN 11-19-2001/4:41:05 LAST REV: 1-25-2002 BY: svb