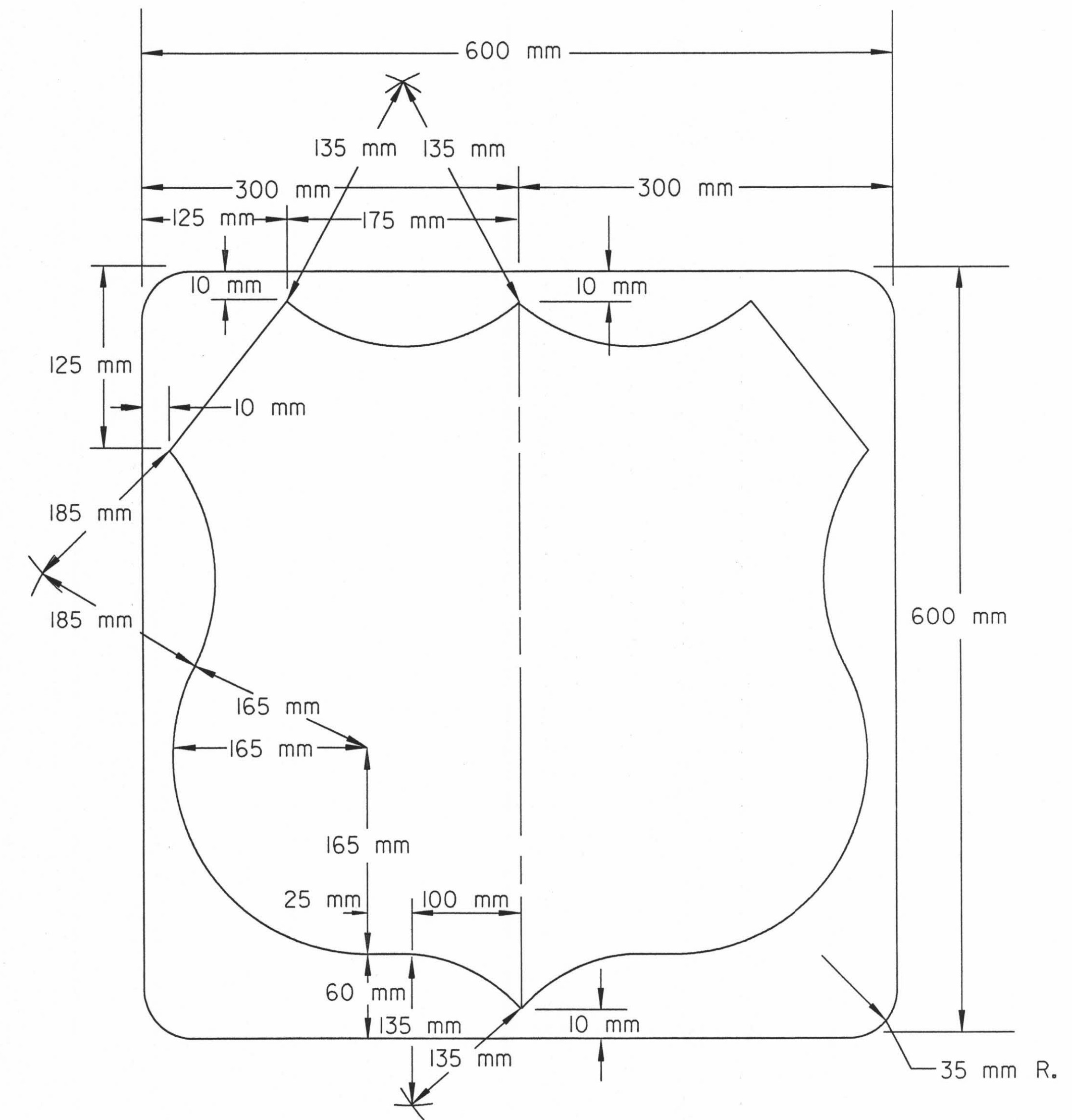


M1-4
0.36 sq m

* OPTICALLY SPACE NUMERALS ABOUT VERTICAL CENTERLINE.

SHIELD NO.	SIZE (mm)	DIGITS	DIGIT SERIES		
M1-4	600 x 600	54	D		
M1-4	600 x 600		D		



NOTE:

COLOR SPECIFICATIONS (DIRECT SCREEN PROCESS)
SIGN FACE SHALL BE COVERED WITH HIGH PERFORMANCE WHITE RETROREFLECTIVE SHEETING.
DIGITS AND AREA AROUND SHIELD SHALL BE BLACK PROCESS INK.
SEE FLAT SIGN DETAIL SHEET FOR ALUMINUM ALLOYS AND THE THICKNESS REQUIRED.
THE TYPE OF ADHESIVE FOR RETROREFLECTIVE SHEETING SHALL BE HEAT ACTIVATED OR PRESSURE SENSITIVE.

ALL DIMENSIONS ARE IN MILLIMETERS.

NO.	DATE	REVISION	BY	APP'D
3				
2				
1	10-28-99	CHANGED DIMENSIONS	TCP	MPM

KANSAS DEPARTMENT OF TRANSPORTATION
DESIGN DETAILS FOR
2 DIGIT US-ROUTE MARKER
(INDEPENDENT USE)
TE518SI 9-1-94

FHWA APPROVAL	11-9-99	APP'D	NELDA A. BUCKLEY
DESIGNED	KH	DETAILED	KH
DESIGN CK.	DETAIL CK.	QUANTITIES	QUAN. CK.
		TRACED	TRACED

DSNR: OPER: SVB SCALE: 1/2"=1'-0" DATE: 11-19-2001/14:41:05 LAST REV: 1-25-2002 BY: svb