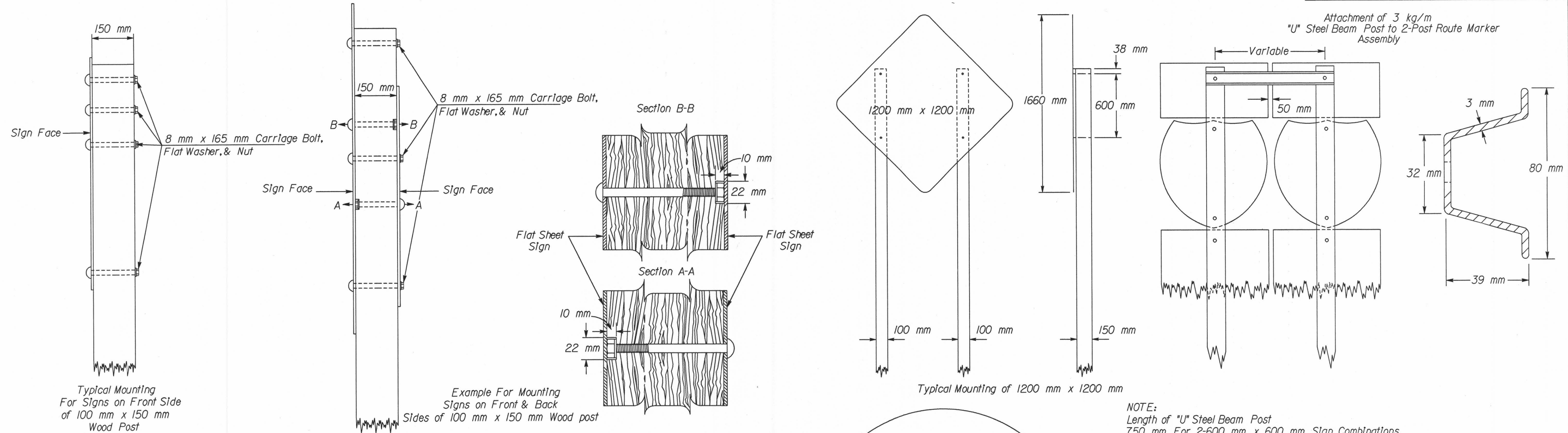


FHWA REGION NO.	STATE	PROJECT NO.	YEAR	SHEET NO.	TOTAL SHEETS
7	KANSAS	54-87 K-6657-01	2002	731	1122

Attachment of 3 kg/m "U" Steel Beam Post to 2-Post Route Marker Assembly



NOTE:
 Length of "U" Steel Beam Post
 750 mm For 2-600 mm x 600 mm Sign Combinations.
 840 mm For 600 mm x 600 mm & 750 mm x 600 mm Sign Combinations.
 900 mm For 2-750 mm x 600 mm Sign Combinations.
 900 mm For 900 mm x 900 mm & 600 mm x 600 mm Sign Combinations.

FLAT SHEET SIGN MOUNTING SPECIFICATIONS

The top hole shall be 38 mm from the top of the post. Additional holes shall be spaced at 150 mm increments starting from the top hole.

The top of the post should not extend above the top of the sign.

One Way (R6-1) signs, when mounted perpendicular to other signs, shall be mounted at the top of the post.

When signs are placed back to back, the signs shall be mounted at the prescribed height. However, the bottom holes of the signs shall be aligned, with exception of the Yield (R1-2) sign, in which case, the top holes shall be aligned.

When signs are mounted on the back of guide signs, the signs shall be mounted at the prescribed height without extending below the bottom of the guide sign.

When mounting advisory plates or signs on the back of assemblies or other signs utilizing two (2) or more posts, the sign shall be mounted on the post nearest to traffic.

When mounting sign assemblies with two (2) or more signs the vertical dimension between adjacent signs should be no more than 75 mm apart.

Advisory plates or object markers, when mounted with other signs, shall be mounted at their prescribed height. The other signs mounted with these advisory plates or object markers shall also be mounted at their prescribed height, but under no circumstance shall the signs overlap each other.

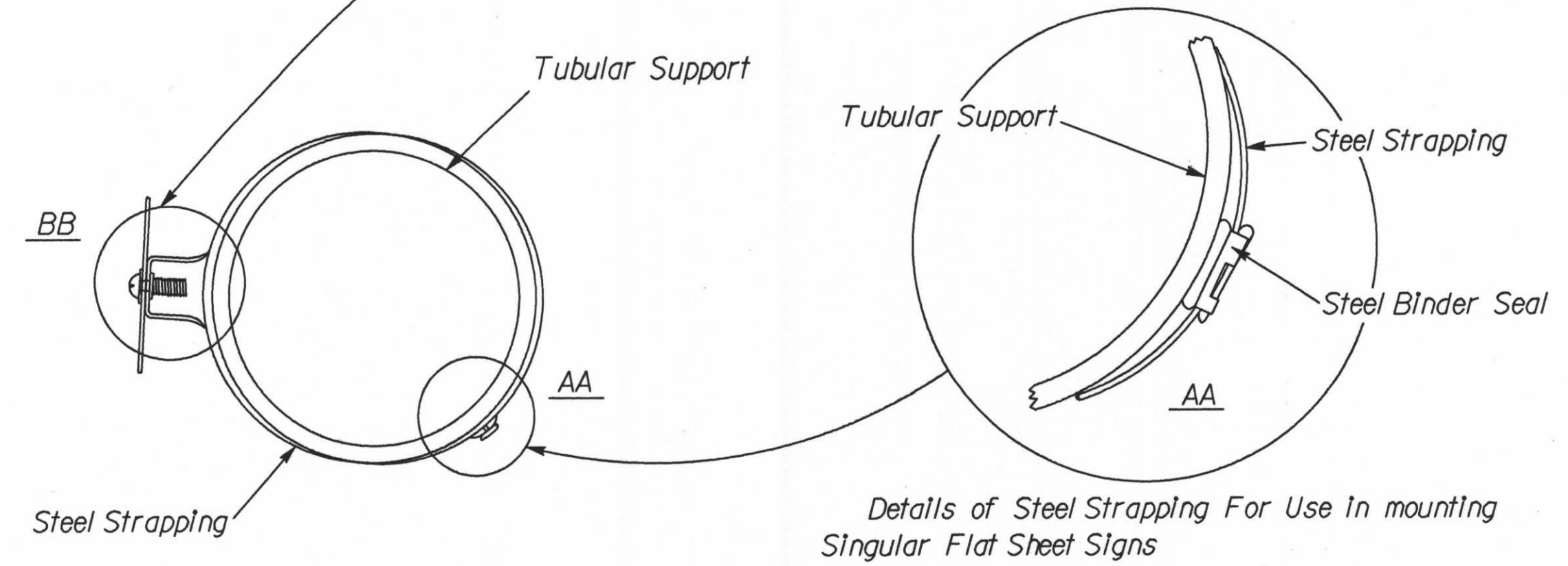
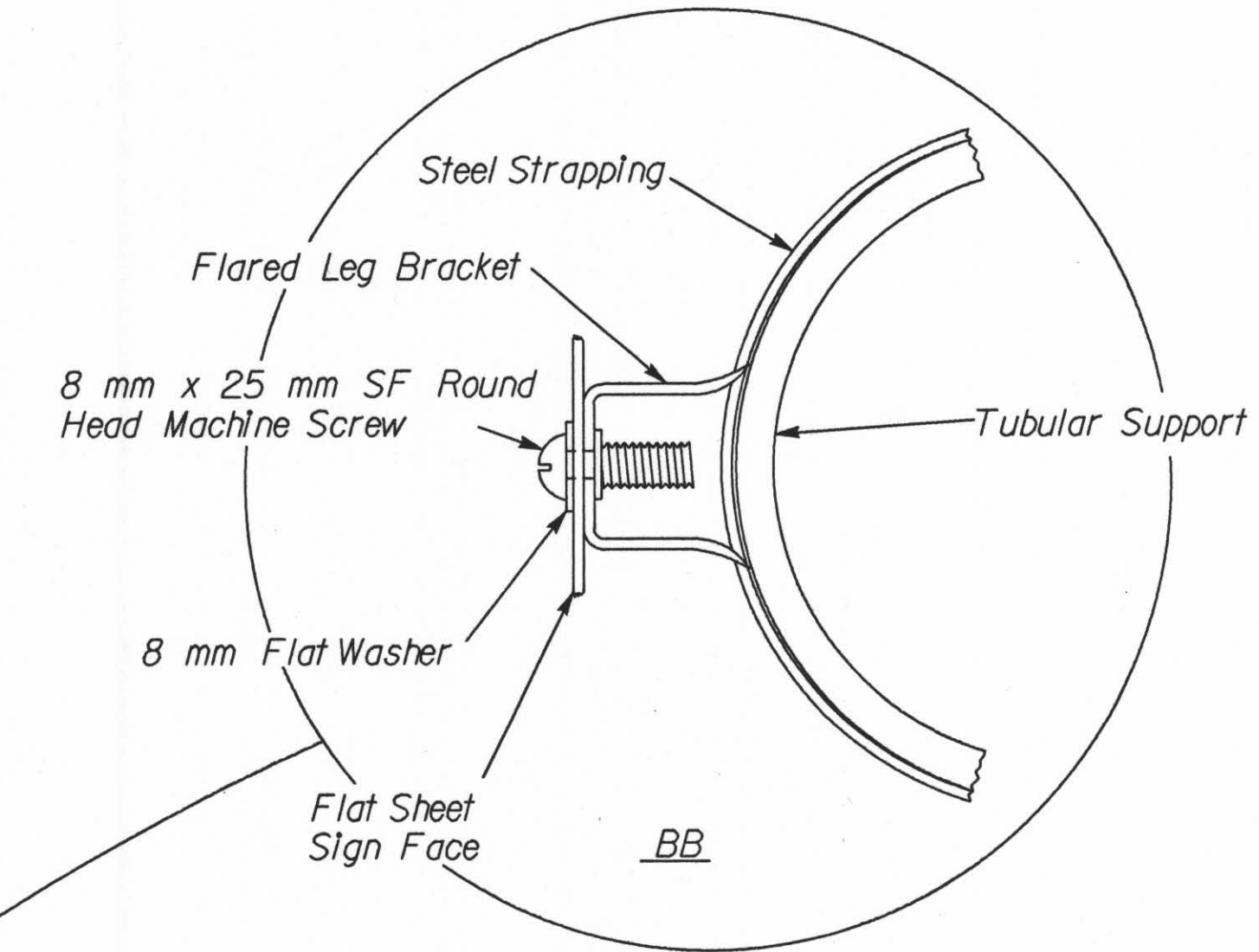
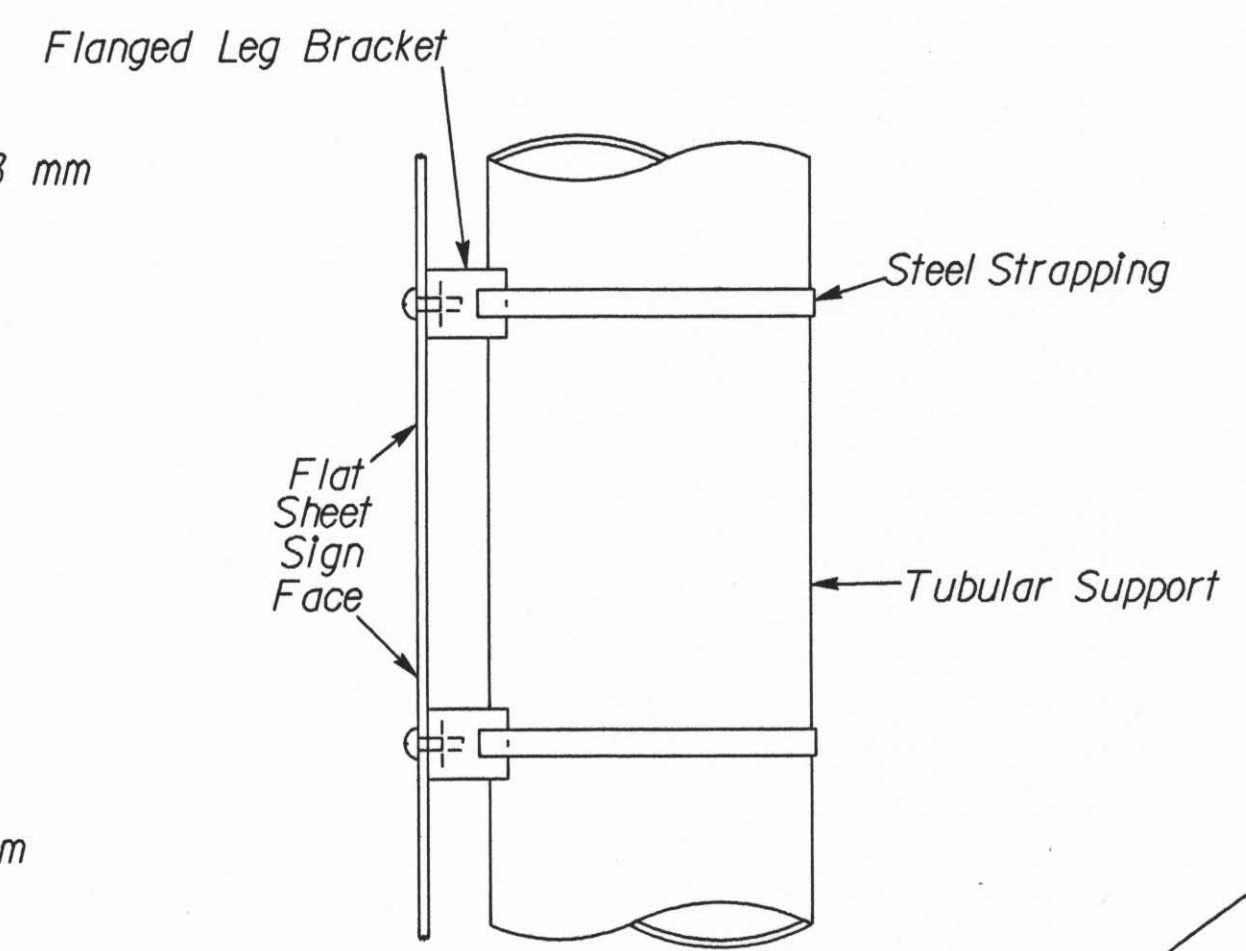
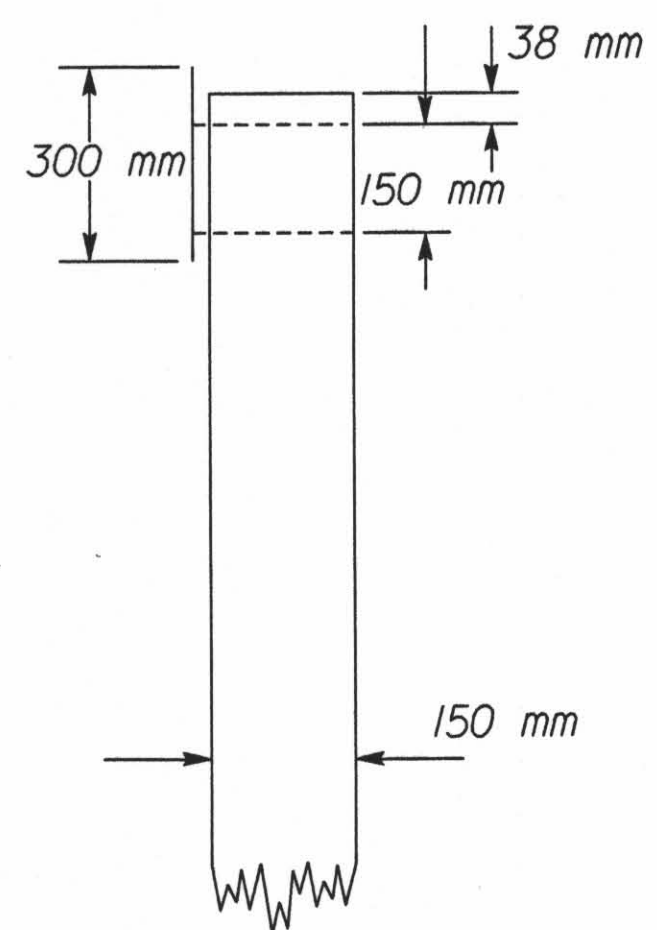
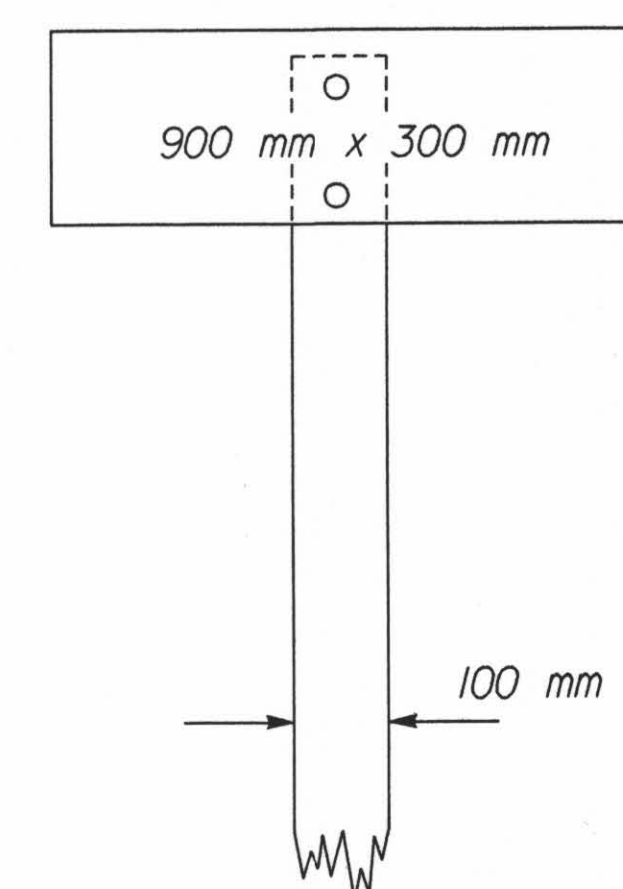
NOTE:
 Additional mounting holes required in flat aluminum signs shall be drilled by the contractor.

All mounting holes in the wood posts shall be drilled prior to treating. Preservative treatment shall comply with Section 2304 of the Standard Specifications for State Road and Bridge Construction (1990 Edition), Kansas Department of Transportation.

All bolts, nuts, and washers shall comply with Section 1614 of the Standard Specifications (1990 Edition).

All mounting holes in the wood posts are to be 10 mm in diameter.

Sections of 3 or 4.5 kg/m flanged channel posts and fasteners for attaching flat sheet signs to wood posts when required shall be subsidiary to the bid item "100 mm x 150 mm Wood Posts (Flat Sheet Signs)".



3					
2					
1	8-7-96	Revised Spacing to Top of Hole 38 mm	TCP	NAB	
NO.	DATE	REVISION	BY	APP'D	

KANSAS DEPARTMENT OF TRANSPORTATION

MOUNTING DETAILS FOR
 FLAT SHEET SIGNS ON WOOD POSTS,
 TUBULAR SUPPORT OR WOOD POWER POLE

TE606SI 4-29-93

FHWA APPROVAL 1-10-95	DESIGNED	KS	APP'D	NELDA A. BUCKLEY
DESIGN CK.	DETAIL CK.	QUANTITIES	TRACED	
		QUAN. CK.	TRACE CK.	

DSNR: OPER: SVB SCALE: 1:19-2001H:4:05 LAST REV: 1-25-2002 BY: svb
 4/1997/97362/SIGNING/STANDARDS/TE606SIDGN