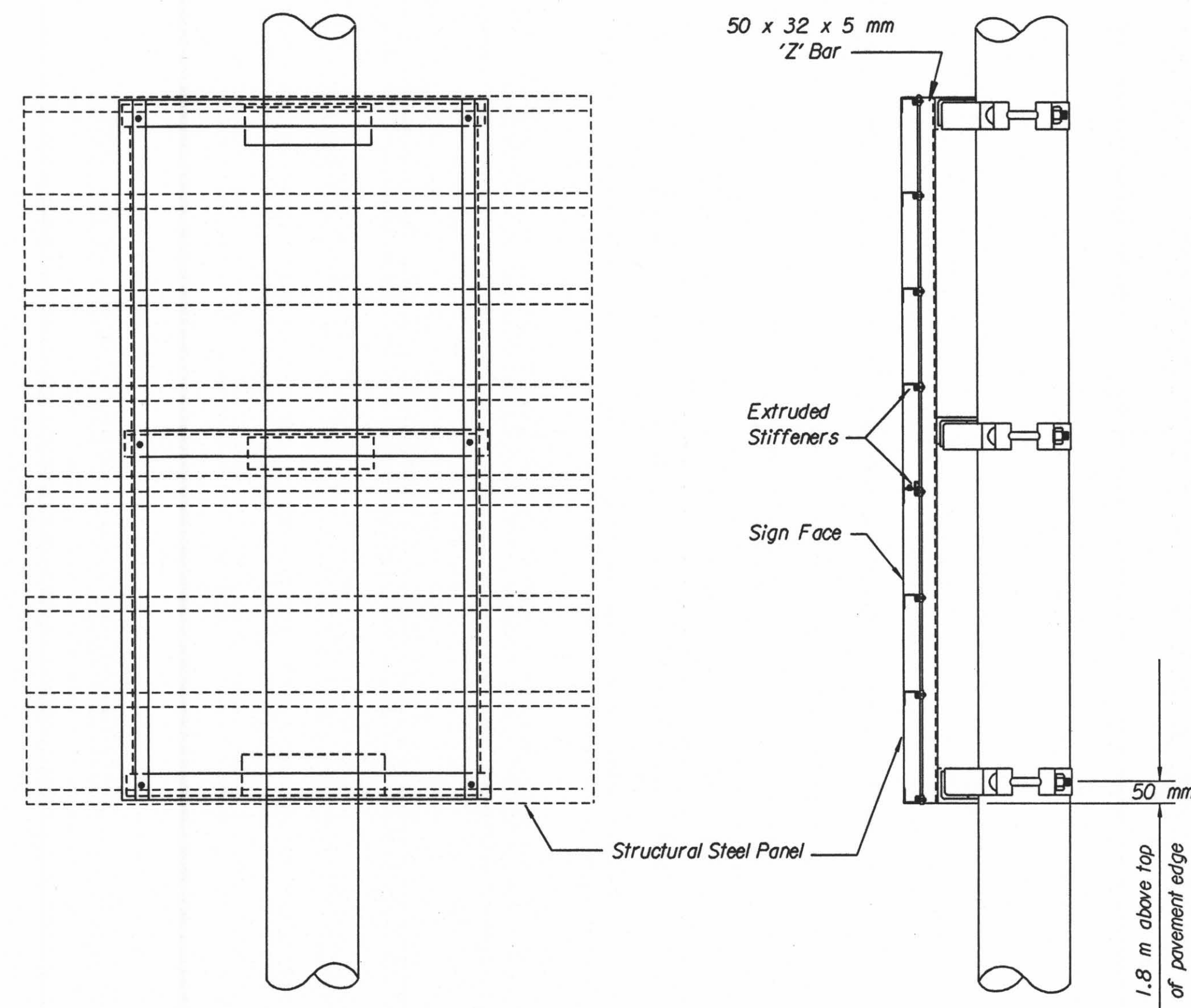


1200 mm x 1200 mm FLAT SHEET SIGN



1.2 m x 1.5 m STRUCTURAL STEEL PANEL SIGN

NOTE:

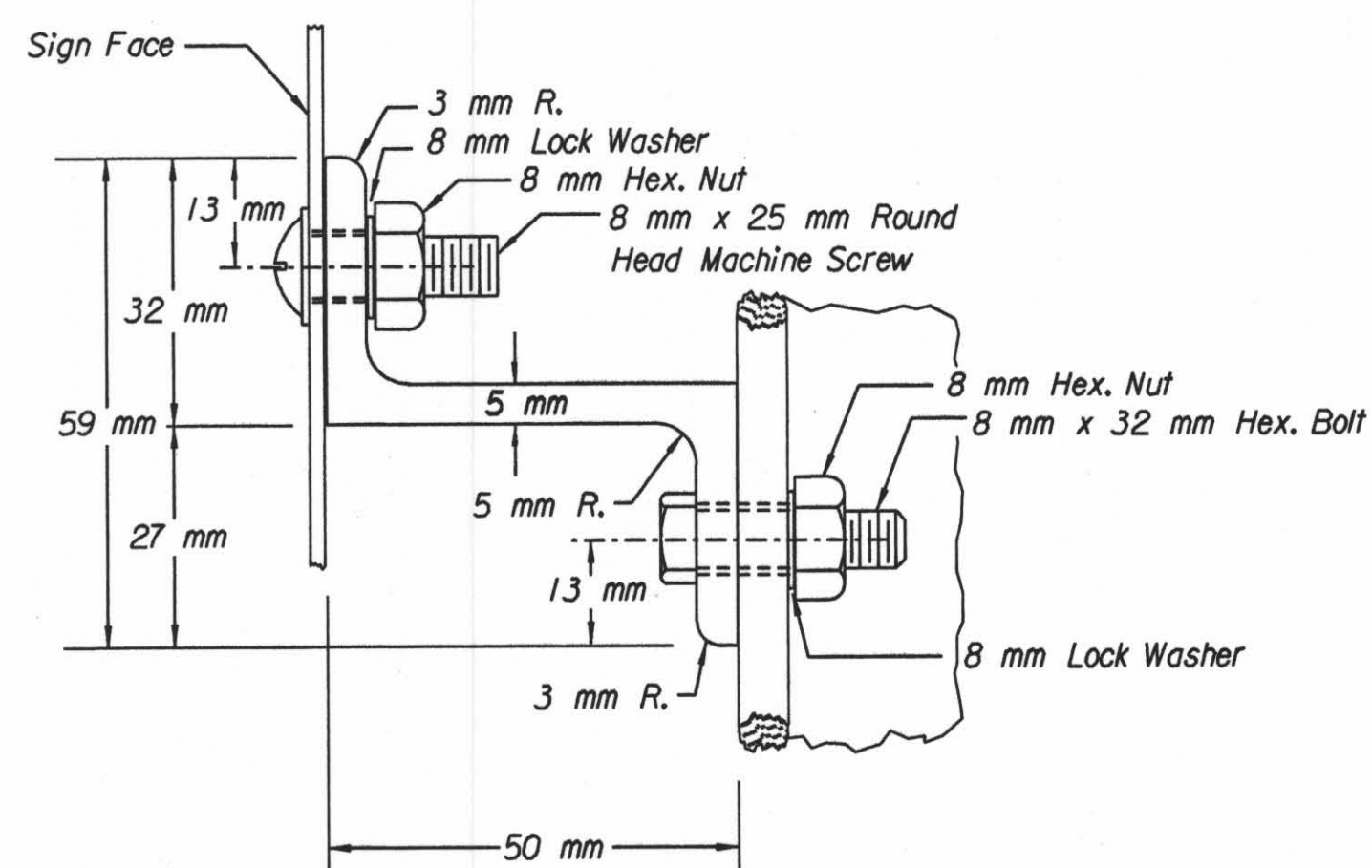
For the size and type of signs shown on this sheet that are to be attached to an in-place tubular member (overhead sign truss or light standard), a Monotube Sign Support of design number 30418-Y 107, 30418-Y 108, or 30418-Y 109 with a clamp range of 170 mm thru 264 mm similar to that of the Union Metal Mfg. Co. (or equal design) is to be mounted as shown. The bottom of the sign is to be placed at a height of 1.8 m above the top of the edge of pavement.

All structural angles and 75 mm clamp base material shall conform to Subsection 1605 of the 1990 Edition of the Standard Specifications For State Road and Bridge Construction and shall be galvanized in accordance with ASTM A123.

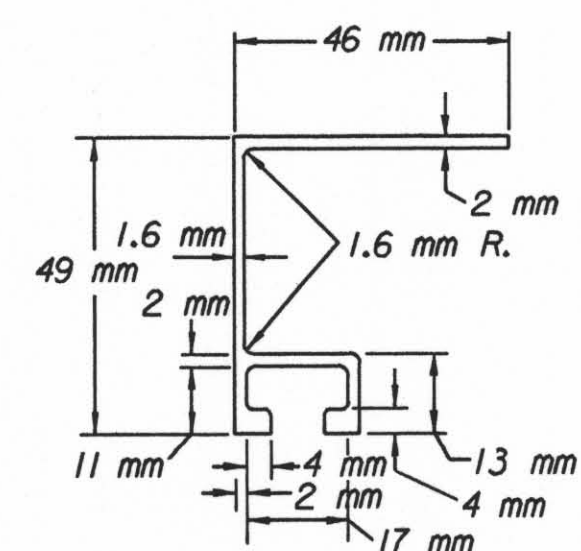
The aluminum Z-bars used in the installation are to be fastened to the 89 mm x 64 mm x 8 mm angle with 8 mm bolts, washers and nuts as shown. The aluminum is to be ASTM B308.

All bolts, nuts and washers used in the installation of this unit shall conform to the following sections of the 1990 Edition of the Standard Specifications For State Road and Bridge Construction:

- Bolts and nuts- 1614.02 (b)
- Washers - 1614.02 (e) & (f)



TYPICAL ZEE BAR



EXTRUDED STIFFENER

DSMR: OPER: SVB SCALE: 1:1997/97362/SIGNING/STANDARDS/TE628S/DGN 11-19-2001/4:4:05 LAST REV: 1-25-2002 BY: svb

3					
2					
1					
NO.	DATE	REVISION	BY	APP'D	
<b>KANSAS DEPARTMENT OF TRANSPORTATION</b> <b>MOUNTING DETAILS FOR</b> <b>STRUCTURAL PANEL SIGN</b> <b>OR FLAT SHEET SIGN</b> <b>ON TUBULAR SUPPORT</b> TE628S 9-1-94					
DESIGNED	CHK	QUANTITIES	TRACED	CHK	
DESIGN CK.	DETAIL CK.	QUAN. CK.	TRACE CK.		