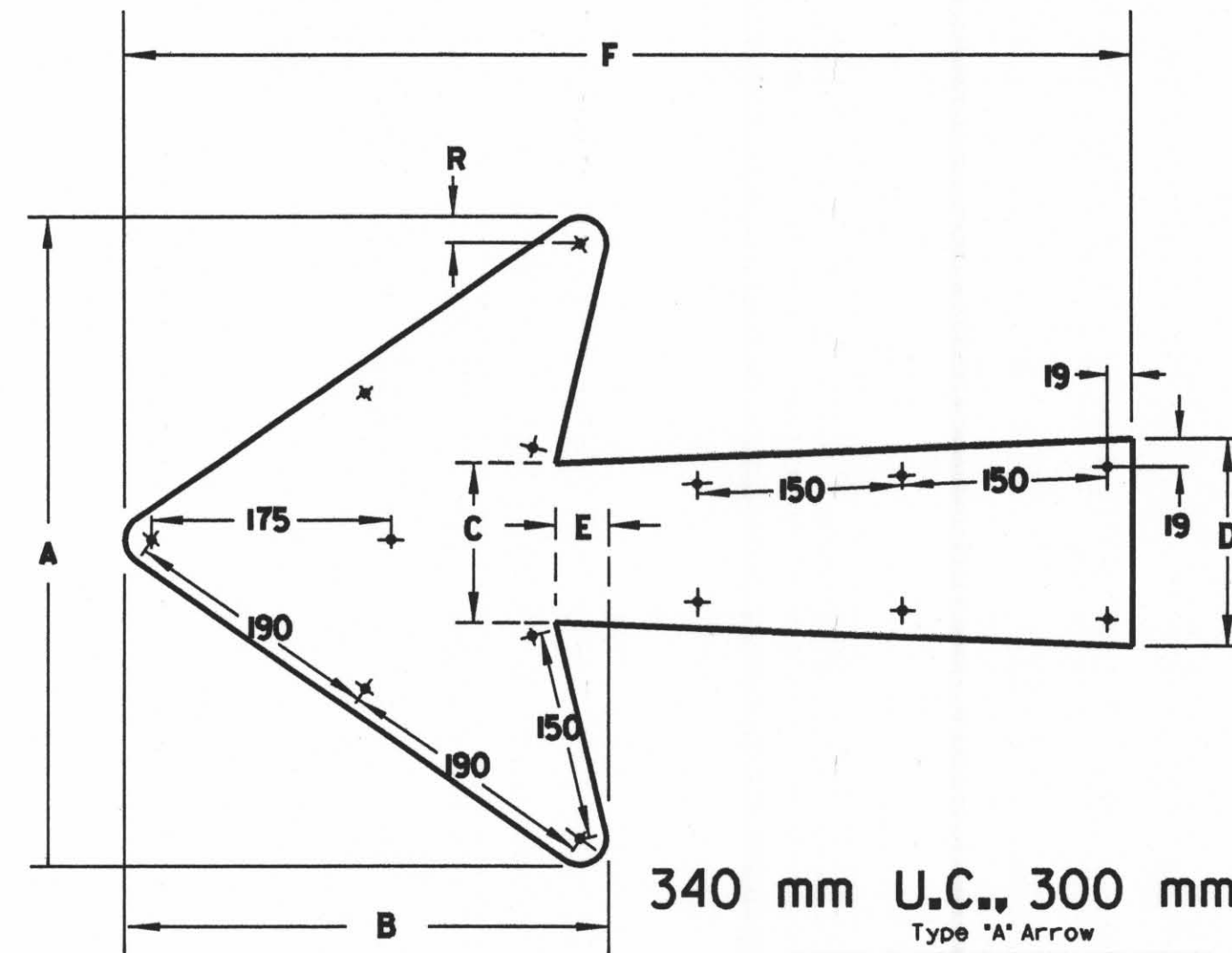


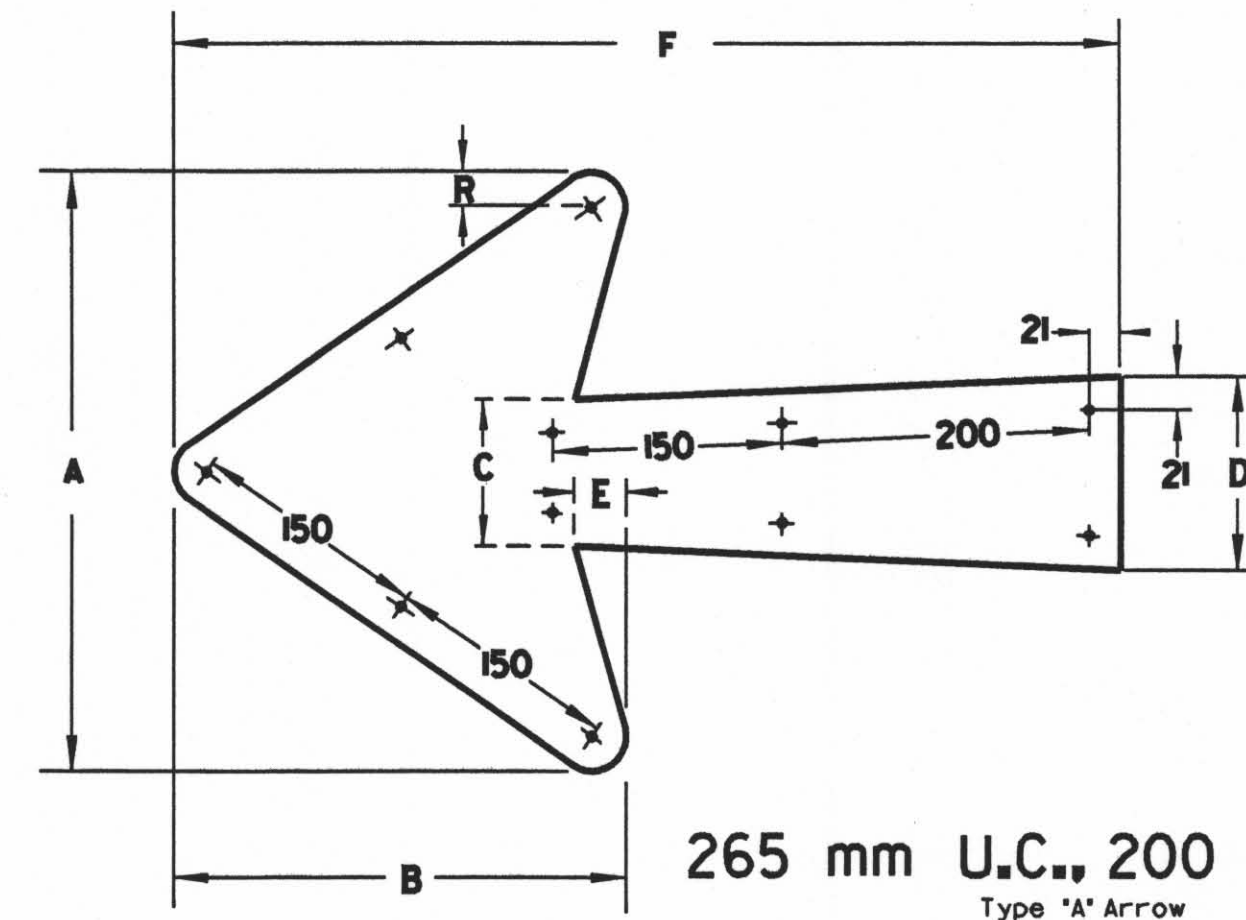
400 mm U.C.
Type 'A' Arrow

ARROW DIMENSIONS (mm)						
A	B	C	D	E	F	R
565	430	137	181	45	905	25



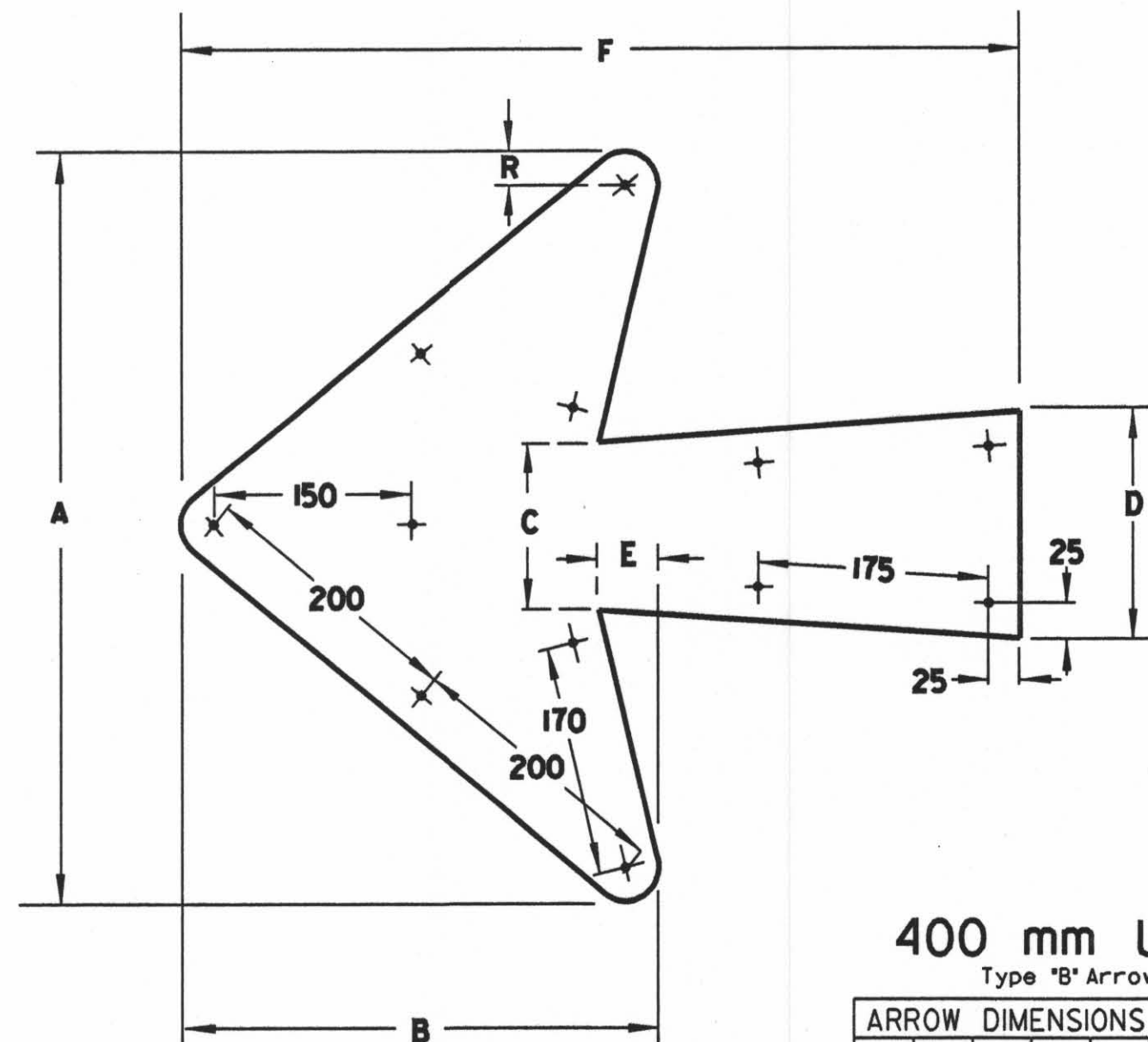
340 mm U.C., 300 mm CAP.
Type 'A' Arrow

ARROW DIMENSIONS (mm)						
A	B	C	D	E	F	R
464	360	115	150	38	743	19



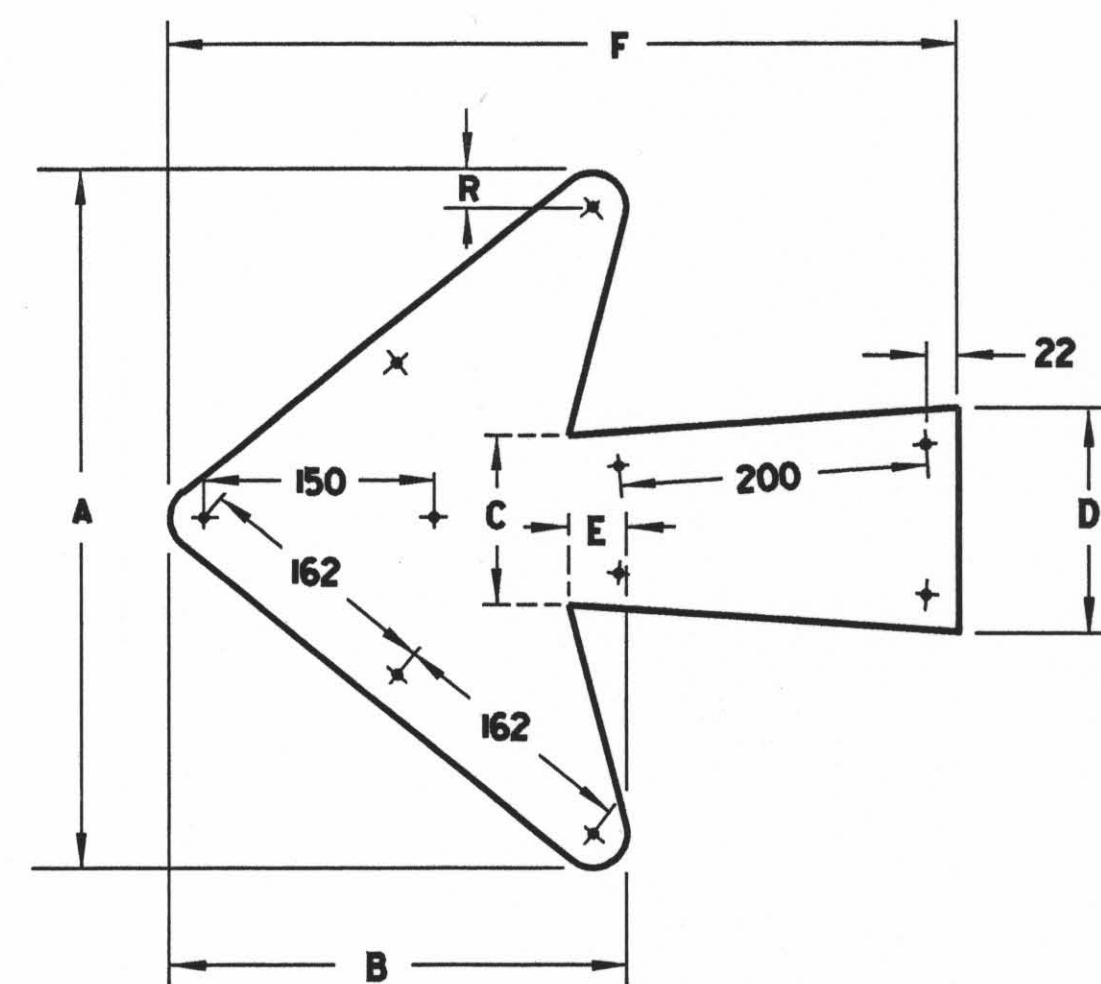
265 mm U.C., 200 mm CAP.
Type 'A' Arrow

ARROW DIMENSIONS (mm)						
A	B	C	D	E	F	R
384	294	95	125	33	616	21



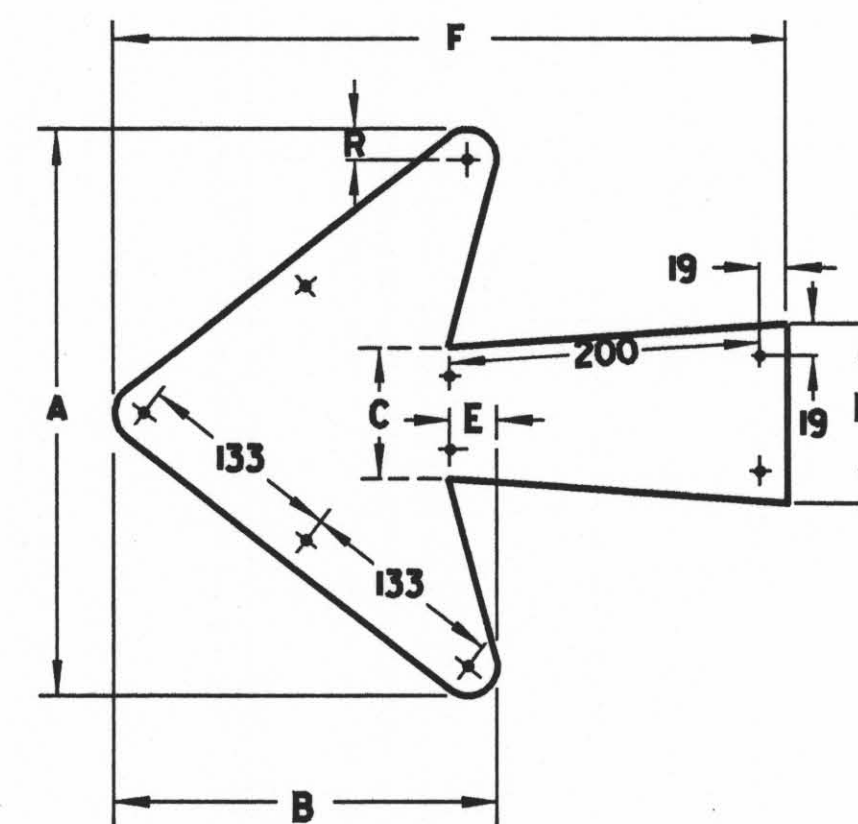
400 mm U.C.
Type 'B' Arrow

ARROW DIMENSIONS (mm)						
A	B	C	D	E	F	R
556	362	125	170	45	635	25



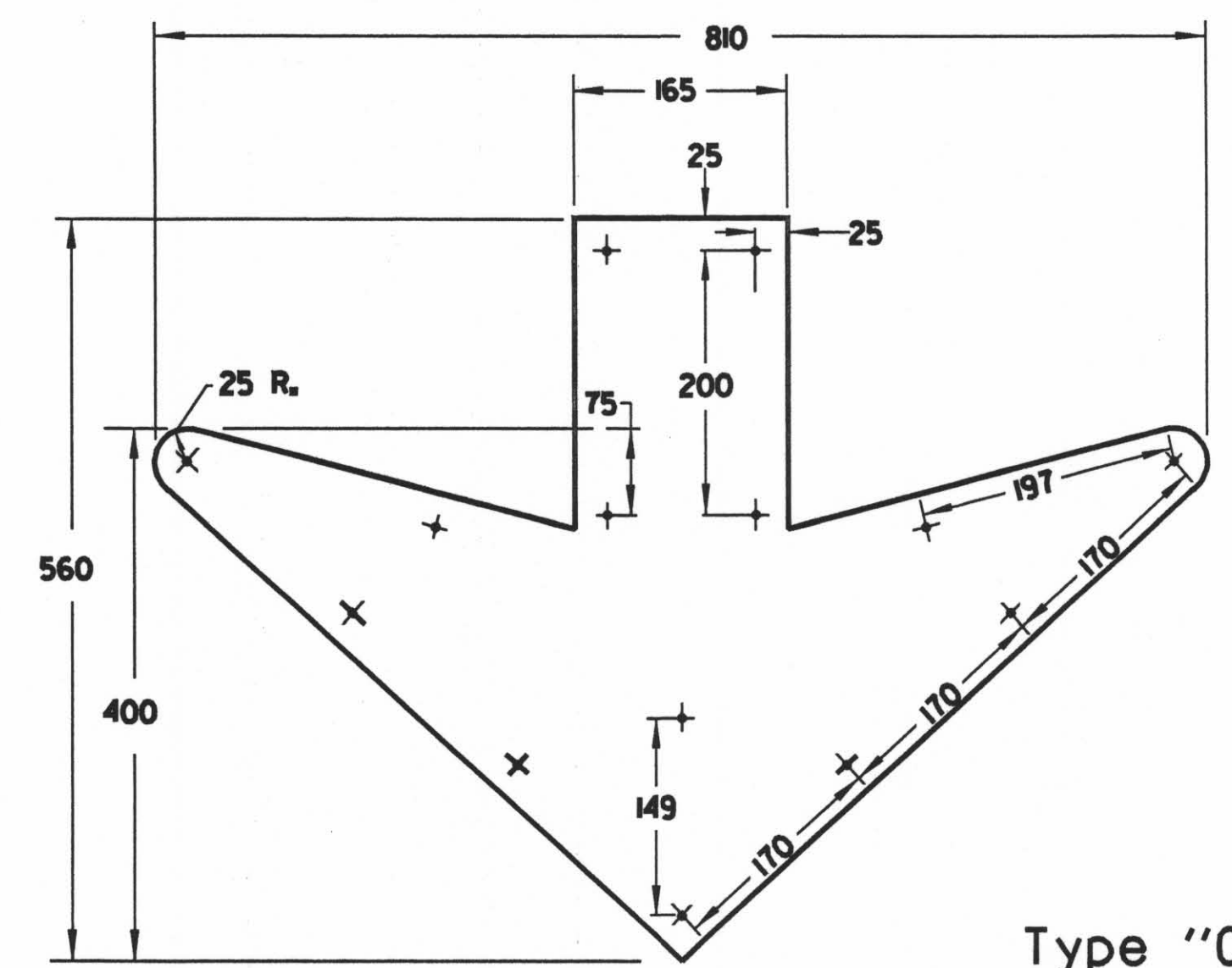
340 mm U.C., 300 mm CAP.
Type 'B' Arrow

ARROW DIMENSIONS (mm)						
A	B	C	D	E	F	R
445	298	111	143	38	514	22



265 mm U.C., 200 mm CAP.
Type 'B' Arrow

ARROW DIMENSIONS (mm)						
A	B	C	D	E	F	R
362	249	85	115	33	438	19



Type 'C'

NOTE:
Use Type 'A' arrows on Interstates and Expressways with Interchanges. Use Type 'B' arrows on the mainline of Expressways with at-grade intersections.

NOTES:
All burrs and sharp edges shall be smoothed off.
Material thickness shall be 1.6 mm.
Holes shall be drilled 3.3 mm dia. for 3 mm rivets.
See standard plan sheet TE685I for detailed specifications.
Aluminum arrows to be ASTM B-209 alloy 3003-H14.

All dimensions are in millimeters.

NO.	DATE	REVISION	BY	APP'D
3				
2	10-28-99	CHANGED MATERIAL THICKNESS	TCP	MPM
1	5-8-96	ADD 265 mm ARROW AND NOTE	TCP	NAB

KANSAS DEPARTMENT OF TRANSPORTATION

DETAILS FOR ARROWS
(REMOVABLE LEGEND)

TE650SI 9-1-94

FHWA APPROVAL	11-9-99	APP'D	NELDA A. BUCKLEY
DESIGNED	KH	DETAILED	KH
DESIGN CK.		QUANTITIES	TRACED KH
		DESIGN CK.	QUAN. CK.
			TRACE CK.

DSNR: OPER: SVB SCALE: 1:1997/97362/SIGNING/STANDARDS/TE650SI.DGN 11-19-2001 14:41:05 LAST REV: 1-25-2002 BY: svb