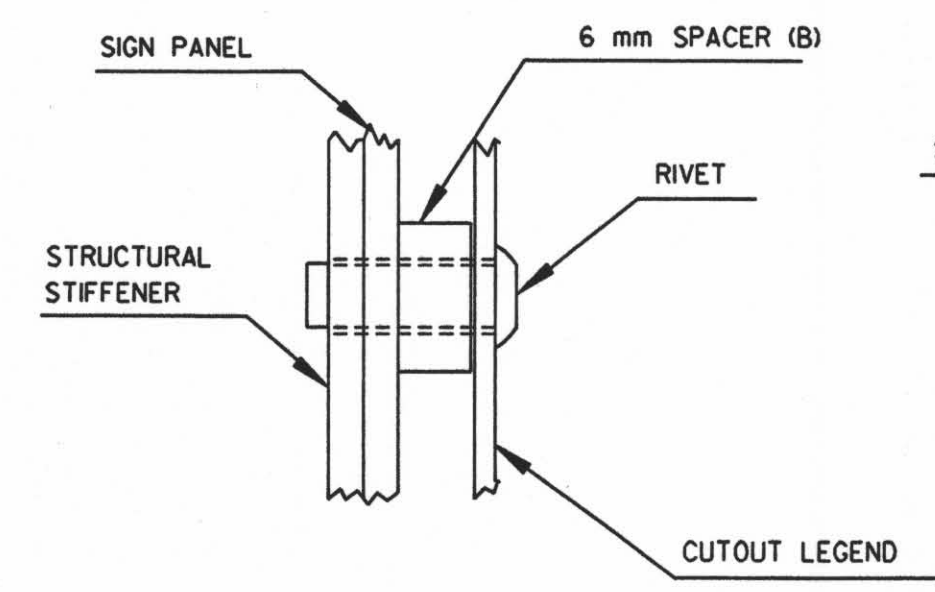
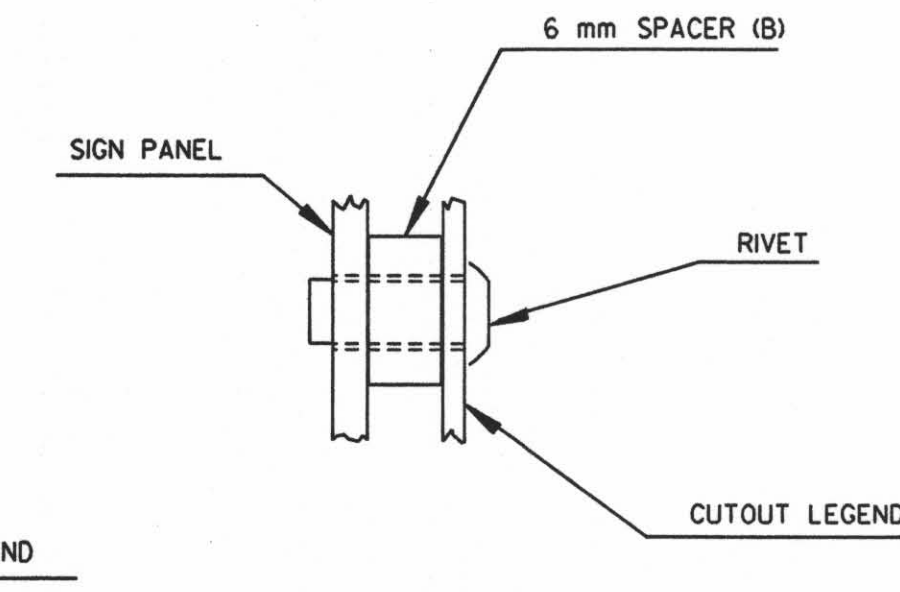


SECTION A-A

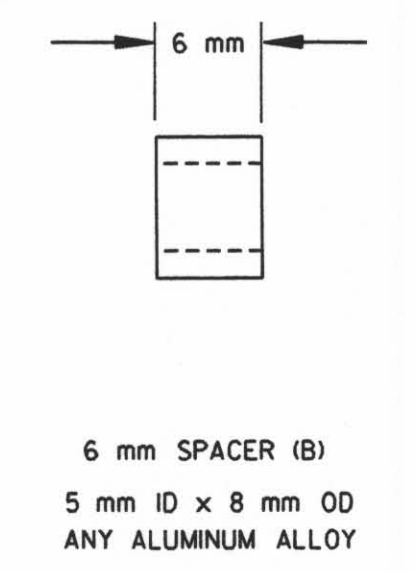
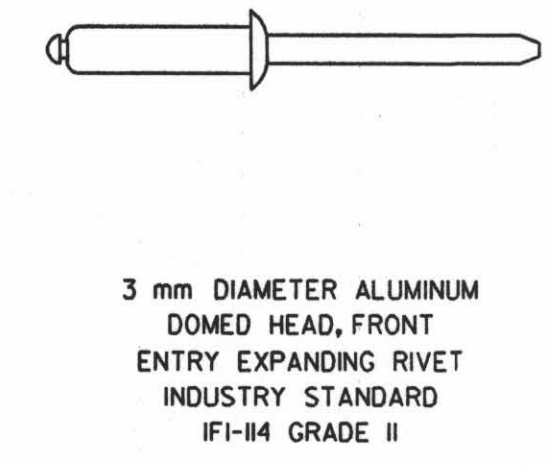
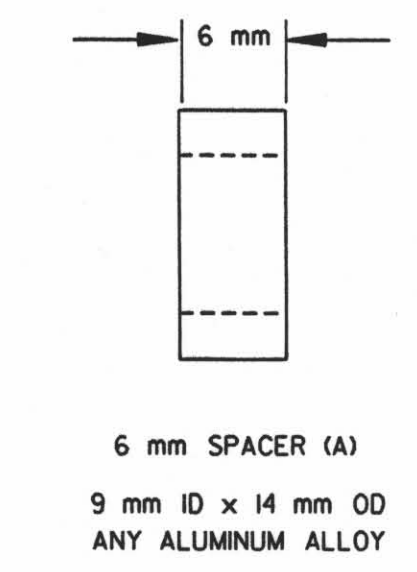


SECTION C-C



SECTION B-B

NOTE: TYPICAL MOUNTING FOR INTERSTATE, U.S. & K-SHIELDS



NOTES:

- All legend shall be as specified on the Detailed Sign Specification Sheet.
- The rivet shall be an Aluminum Domed Head, Front Entry Expanding Rivet, 3 mm in diameter and shall be the length recommended by the manufacturer for the combined thickness of the Cutout Legend material, the spacer, the Sign Panel, and the Structural Stiffener where required.
- The rivets shall be Townsend, Huck, Olympic, Cherry, or others approved by the Engineer.
- The Spring Lock Washer shall comply with ANSI B27.1-1965, while the Plain Washer shall comply with ANSI B27.2-1965.

3					
2					
1					
NO.	DATE	REVISION	BY	APP'D	

**KANSAS DEPARTMENT OF TRANSPORTATION**

**MOUNTING DETAILS FOR REMOVABLE LEGEND**

TE688SI 9-1-94

DESIGNED	KH	DATE	1-10-95	APP'D	NELDA A. BUCKLEY
DESIGN CK.		DETAIL CK.		QUANTITIES	KH
				TRACE	CK.

DSNR: OPER: SVB SCALE: 1:1997/97362/SIGNING/STANDARDS/TE688SI.DGN 11-19-2001 14:41:05 LAST REV: 1-25-2002 BY: svb