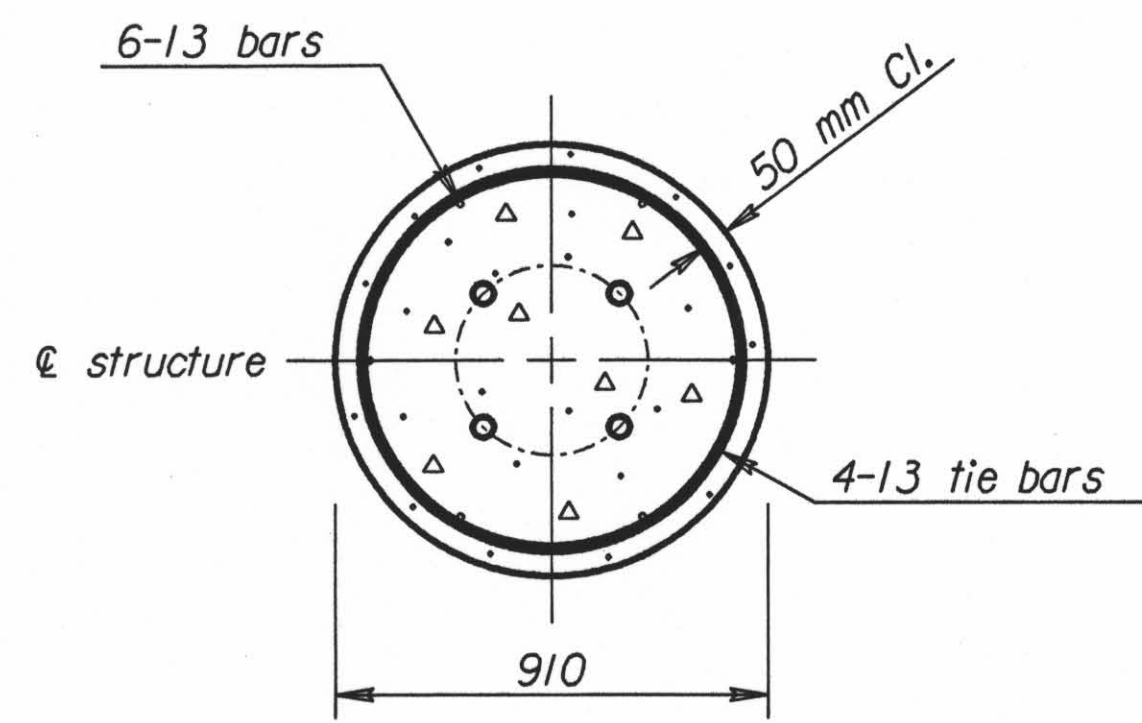
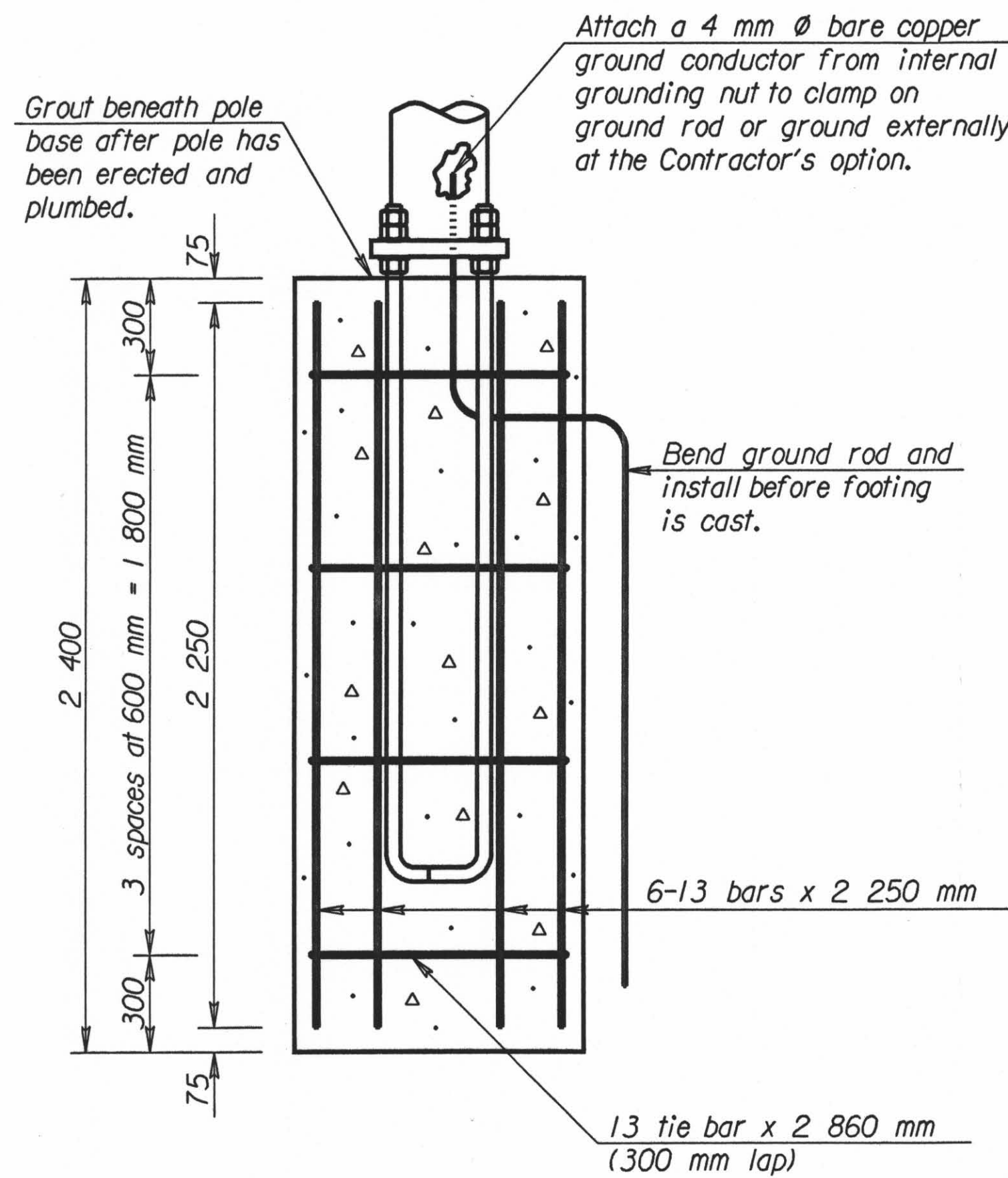


STATE	PROJECT NO.	YEAR	SHEET NO.	TOTAL SHEETS
KANSAS	54-87 K-6657-01	2002	747	1122

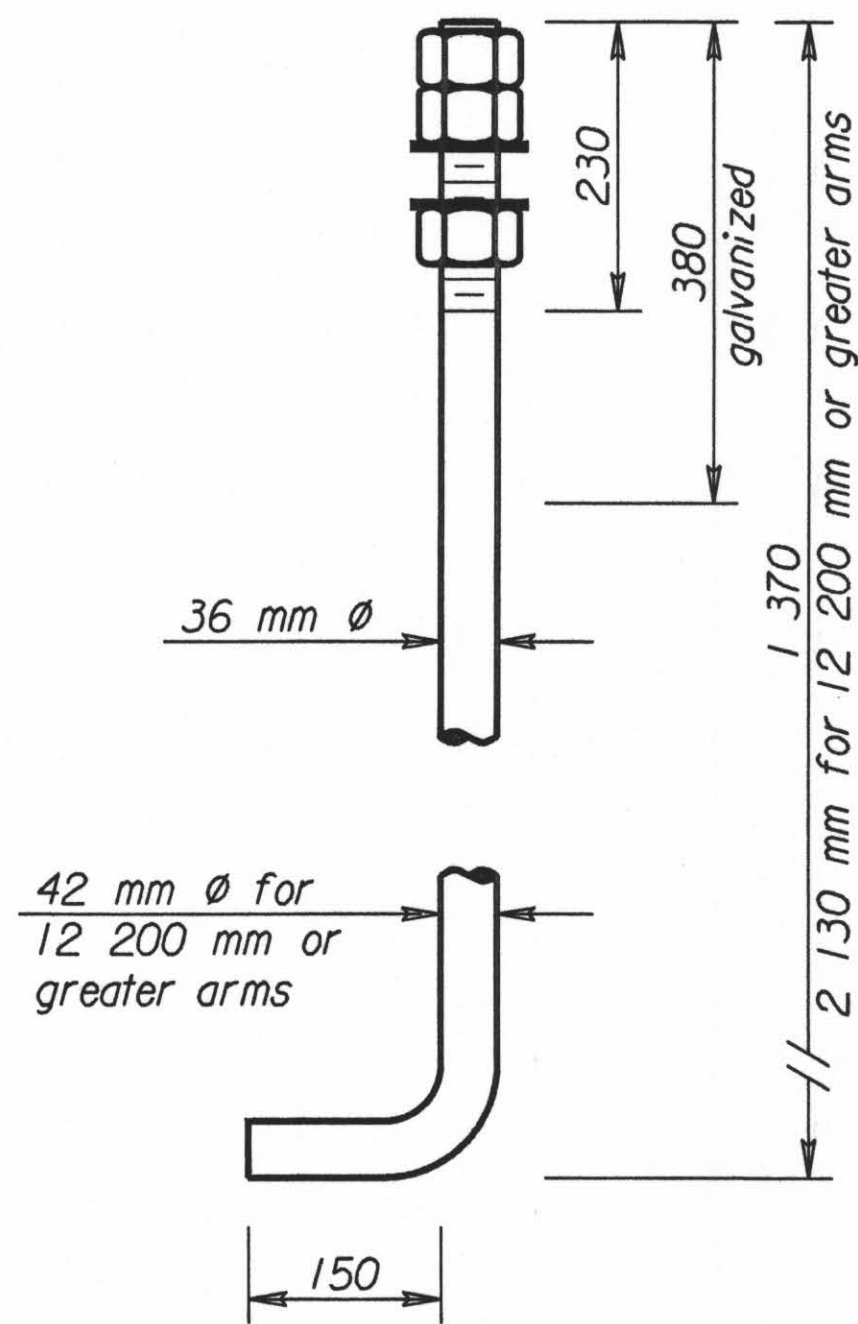


SECTION THRU FOOTING



ELEVATION OF FOOTING

Note to fabricator: Furnish an anchor bolt template for the placement of anchor bolts.



ANCHOR BOLT
(4 per pole Type II)

GENERAL NOTES

DESIGN: Provide a single tapered tube span type overhead sign structure which conforms to the requirements of the "AASHTO Standard Specifications for Structural Supports for Highway Signs, Luminaires and Traffic Signals" 1994 edition and subsequent revisions.

EXCAVATION: Excavate and cast footing to neat lines, except top 300 mm +/- . Form the top 300 mm +/- either 915 mm in diameter, or 915 mm square. Remove all loose material from the bottom of the hole, immediately before placing any concrete. Thoroughly compact the soil, used for backfilling around the top of the footing, as it is placed. Dispose of all excess excavation material, as approved by the Engineer.

SINGLE TAPERED TUBE SPAN SIGN SUPPORT: Provide poles and beams which conform to sub-section 1605 of the 1990 "Standard Specifications for State Road and Bridge Construction". Use tapered tubes, for poles and beams, made only of one length of steel sheet, of not less than 4.5 mm thickness, whose yield strength is a minimum of 380 MPa. Use no more than one longitudinal weld and no transverse welds in the fabrication of the poles and beams. Secure the steel anchor base, of adequate strength, shape and size, to the lower end of the pole by welding in such manner as to develop the full strength of the adjacent pole to resist bending action. Connect the beam to the poles using pinned joints which cannot transmit any bending moments. Camber the beam as necessary. Galvanize all parts of the sign support structure to meet the requirements of ASTM A123. Include with the pole such items as a handhole and cover, unless grounded externally, and a pole cap. Include with the beam all necessary sign beams, clamps and bolts needed to mount the signs. Submit shop details indicating pole and beam dimensions, connection details and the details of the sign mounting device.

BOLTS: Use bolts which conform to "Standard Specifications for State Road and Bridge Construction", sub-section 1613. Use Type II anchor bolts.

FOOTING MATERIALS: Use Grade 25 (AE) concrete or better. Use reinforcing steel which conforms to ASTM A615M Grade 300 or 420. Cure the concrete a minimum of 4 days. Do not erect the sign support before 15 days have passed, unless flexural beam tests indicate the concrete has attained sufficient strength.

PAYMENT: Include the cost of all material and labor needed to complete the entire sign support and footing, less the signs panels, in the unit price bid for each "Single Tapered Tube Span Sign Support".

Std. Base File: sl155si.dgn - Plot 1
 Plotted By: \$USER\$
 File: \$\$\$\$
 Plot Date: \$\$\$\$

NO.	DATE	REVISIONS	BY	APP'D
1	3/20/02	Concrete from Class to Grade	SMB	KFH

KANSAS DEPARTMENT OF TRANSPORTATION
STANDARD STRUCTURAL SIGN SUPPORTS
SINGLE TAPERED TUBE SPAN TYPE OVERHEAD
FOOTING DETAILS AND GENERAL NOTES

SL155 SI SEDGWICK CO.
 DESIGNED LES 4-10-97 APP'D Kenneth F. Hurst
 DESIGN CR. DCB DETAIL CR. DCB QUANTITIES CADD CADD CR.