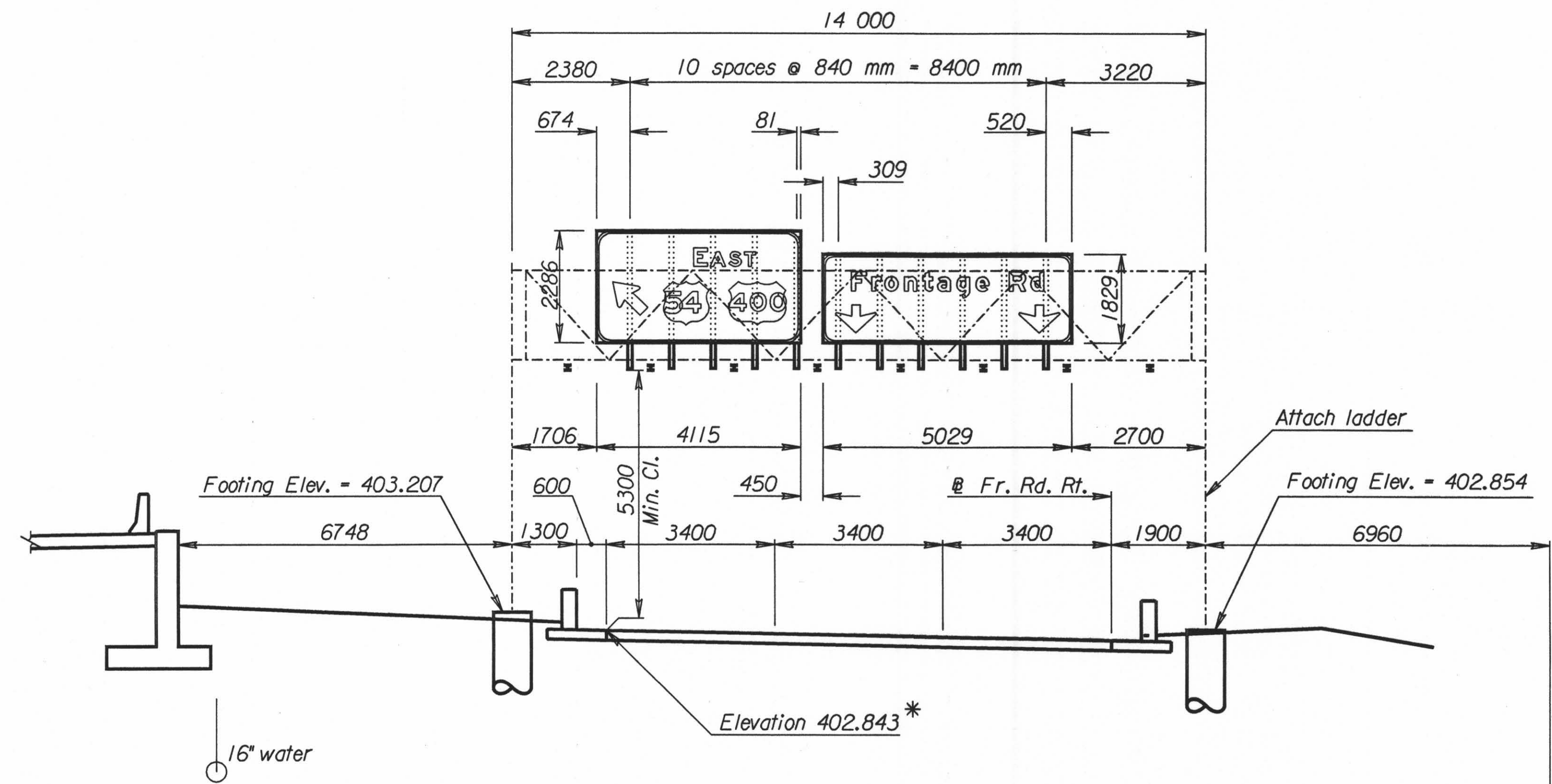


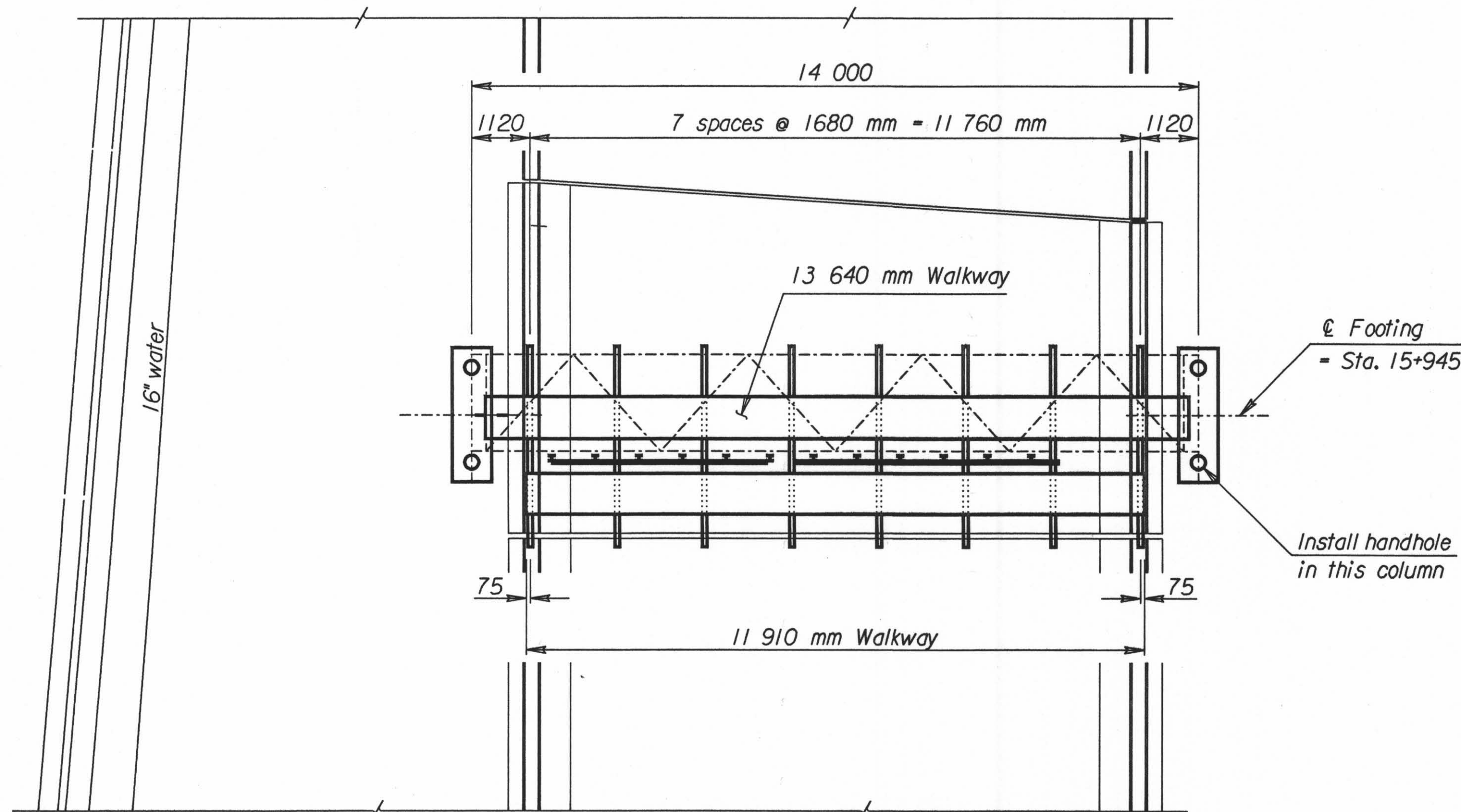
STATE	PROJECT NO.	YEAR	SHEET NO.	TOTAL SHEETS
KANSAS	54-87 K-6657-01	2002	752	1122



ELEVATION

* Note: Use this point as a control point for all elevations.

450 mm RCP
E. Elevation 397.8



PLAN

ALUMINUM DETAILS			
TRUSS	Member 1 Wall Thickness	3.76	
	Member 2 Wall Thickness	3.05	
	N = 8 X = 280 S = 1680 Camber = 16		
END SUPPORTS	Member 1 Wall Thickness	4.19	
	Member 2 Wall Thickness	3.05	
	Left N = 3 S = 1565 L = 7115 Right N = 3 S = 1665 L = 7415		
FOOTINGS	Left Type B	Right Type B	

Scale 1:75

Plotted By: \$\$\$USERNAME\$\$\$ Plot Location: \$/UNIT\$
 File: \$\$\$\$\$\$DGN/SPEC\$
 Plot Date: \$\$\$\$\$\$SYTIME\$\$\$\$\$\$

NO.	DATE	REVISIONS	BY	APP'D
3				
2				
1				

KANSAS DEPARTMENT OF TRANSPORTATION
EB US-54 Fr. Rd. Rt. STATION 15+945
SPAN TYPE OVERHEAD SIGN STRUCTURE
CONSTRUCTION LAYOUT
ALUMINUM ALTERNATE
PROJ. NO. 54-87 K-6657-01 SEDGWICK CO.

DESIGNED	SMB	DETAILED	SMB	QUANTITIES	CADD
DESIGN CL.		DETAIL CL.		QUAN. CL.	CADD CL.