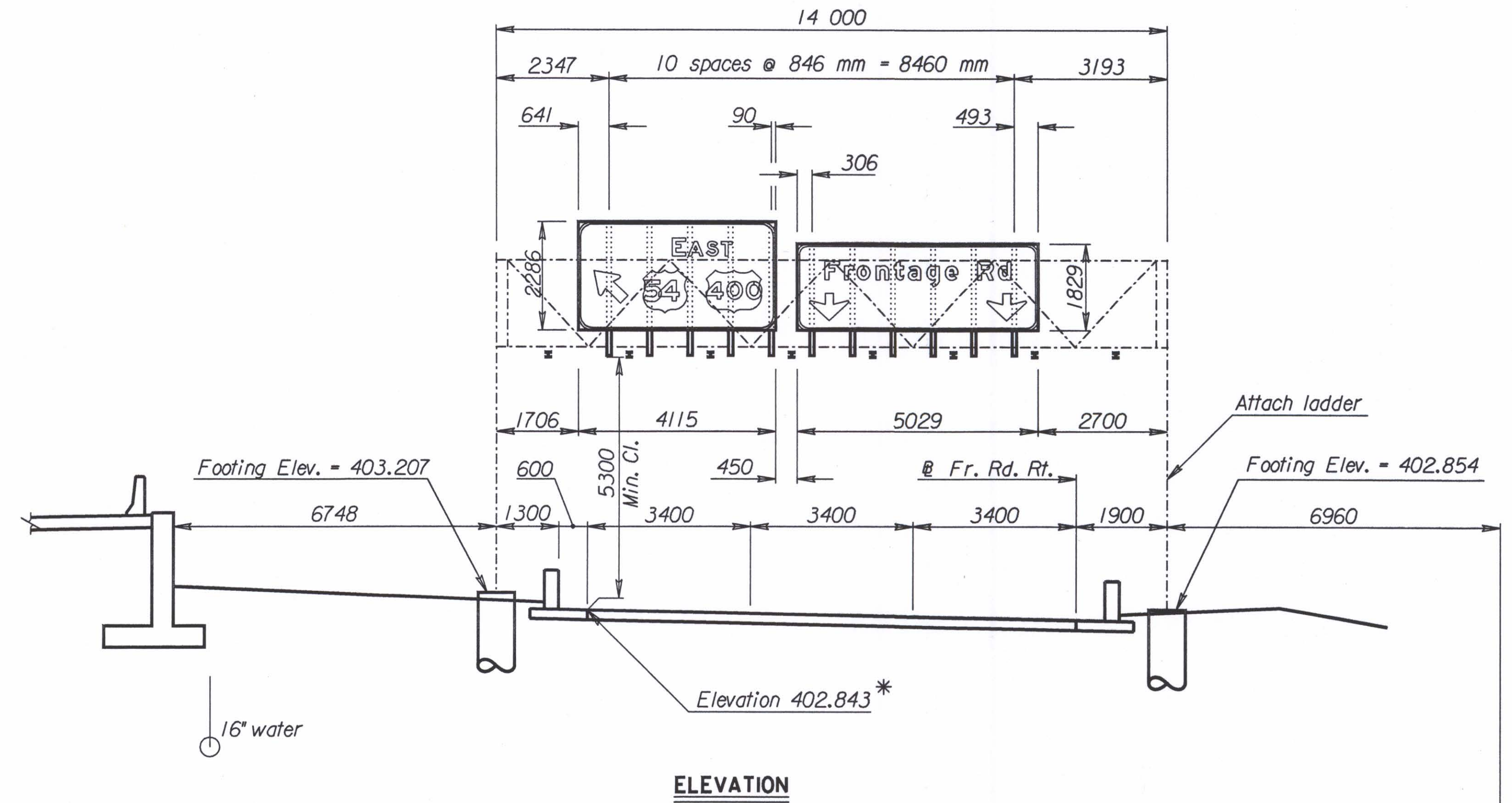
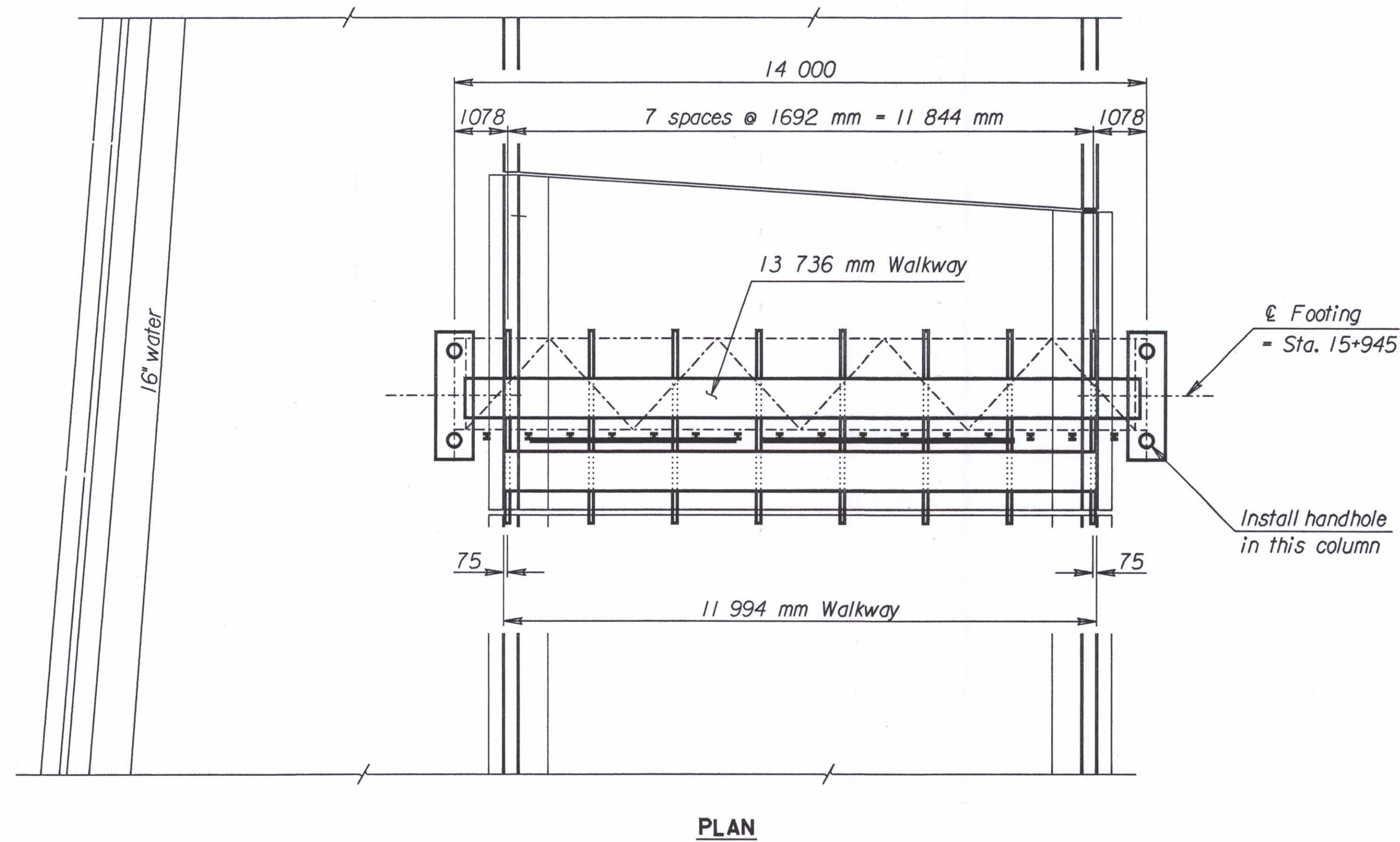


STATE	PROJECT NO.	YEAR	SHEET NO.	TOTAL SHEETS
KANSAS	54-87 K-6657-01	2002	753	1122



* Note: Use this point as a control point for all elevations.



~~STEEL NOT USED~~

STEEL DETAILS				
TRUSS	Member 1 Wall Thickness	4.78		
	Member 2 Wall Thickness	3.05		
	N = 8 X = 232 S = 1692 Camber = 16			
END SUPPORTS	Member 1 Wall Thickness	4.78		
	Member 2 Wall Thickness	3.18		
	Left N = 3 S = 1565 L = 7060			
	Right N = 3 S = 1665 L = 7360			
FOOTINGS	Left Type	A	Right Type	A

Scale 1:75

Plotted By: \$\$\$USERNAME\$\$\$ Plot Location: \$UNIT\$
 File: \$\$\$DGN\$\$\$SPEC\$\$\$
 Plot Date: \$\$\$SYTIME\$\$\$

NO.	DATE	REVISIONS	BY	APP'D
3				
2				
1				

KANSAS DEPARTMENT OF TRANSPORTATION
EB US-54 Fr. Rd. Rt. STATION 15+945
SPAN TYPE OVERHEAD SIGN STRUCTURE
CONSTRUCTION LAYOUT
STEEL ALTERNATE

PROJ. NO. 54-87 K-6657-01 SEDGWICK CO.

DESIGNED	SMB	SCALE	APP'D
DESIGN CL.	DETAIL CL.	QUAN. CL.	CADD CL.