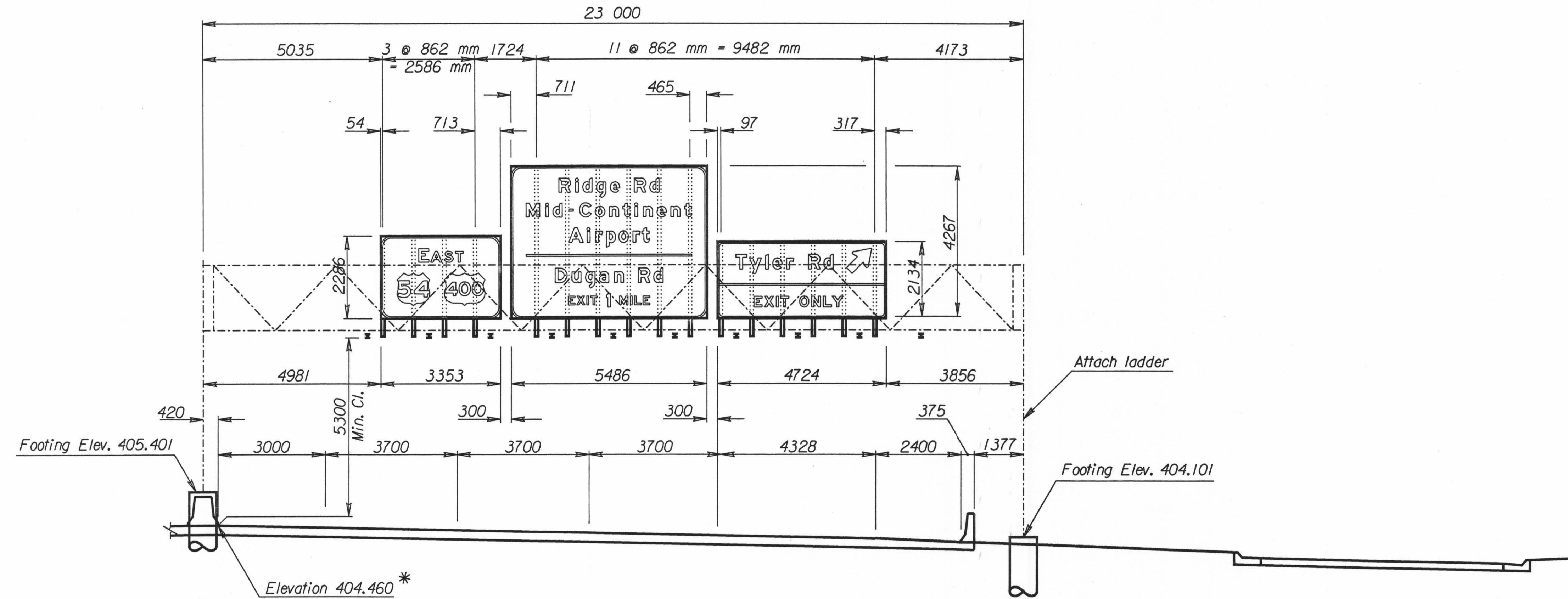
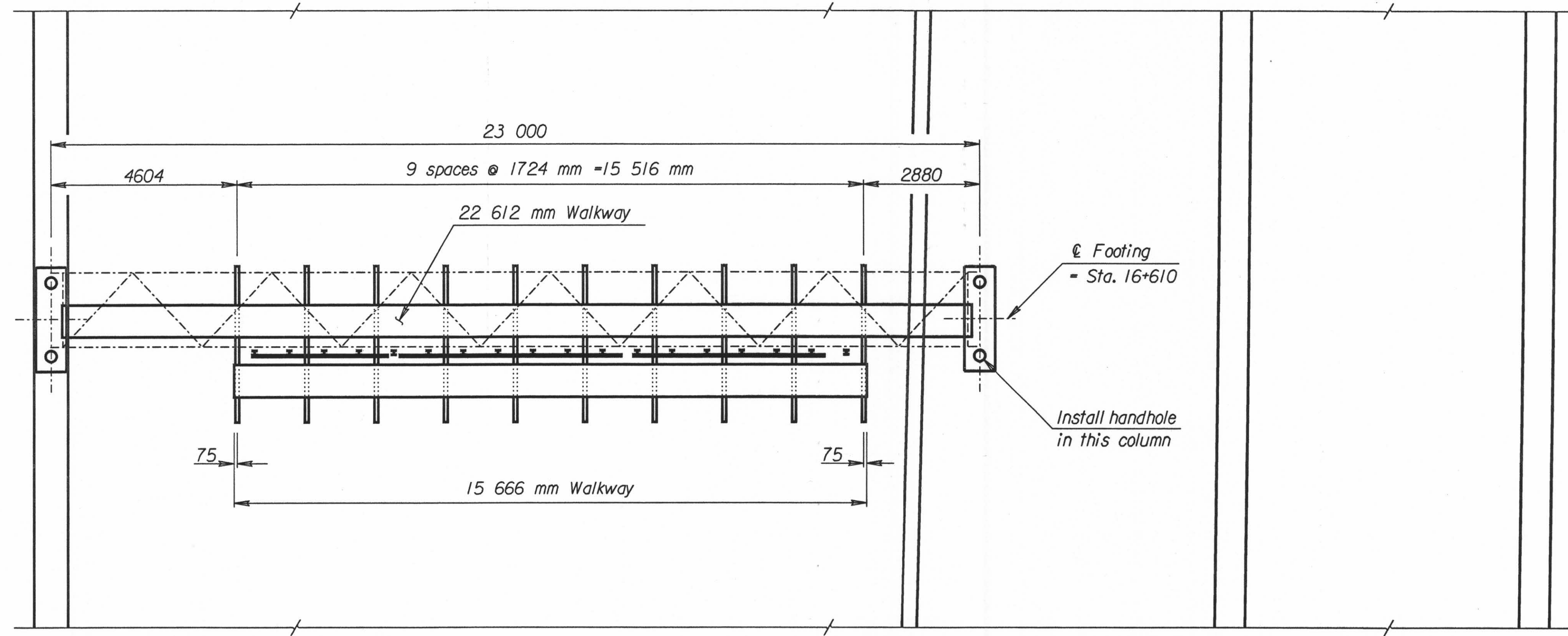


STATE	PROJECT NO.	YEAR	SHEET NO.	TOTAL SHEETS
KANSAS	54-87 K-6657-01	2002	756	1122



* Note: Use this point as a control point for all elevations.



ALUMINUM DETAILS			
TRUSS	Member 1 Wall Thickness	6.35	
	Member 2 Wall Thickness	5.74	
	N = 13 X = 294 S = 1724 Camber = 31		
END SUPPORTS	Member 1 Wall Thickness	9.27	
	Member 2 Wall Thickness	6.02	
	Left N = 2 S = 2050 L = 6520		
	Right N = 3 S = 1800 L = 7820		
FOOTINGS	Left Type	F	Right Type F

Scale 1:75

Plotted By: \$USERNAME\$\$
 File: \$\$\$\$\$\$DGN\$SPEC\$
 Plot Date: \$\$\$\$\$\$TIME\$\$\$\$\$\$\$\$

3				
2				
1				
NO.	DATE	REVISIONS	BY	APP'D
KANSAS DEPARTMENT OF TRANSPORTATION				
EB US-54		STATION 16+610		
SPAN TYPE OVERHEAD SIGN STRUCTURE CONSTRUCTION LAYOUT ALUMINUM ALTERNATE				
PROJ. NO. 54-87 K-6657-01			SEDGWICK CO.	
SHEET NO. 12 OF 44	SCALE	APP'D		
DESIGNED SMB	DETAILED SMB	QUANTITIES	CADD	
DESIGN CR.	DETAL CR.	QUAN. CR.	CADD CR.	