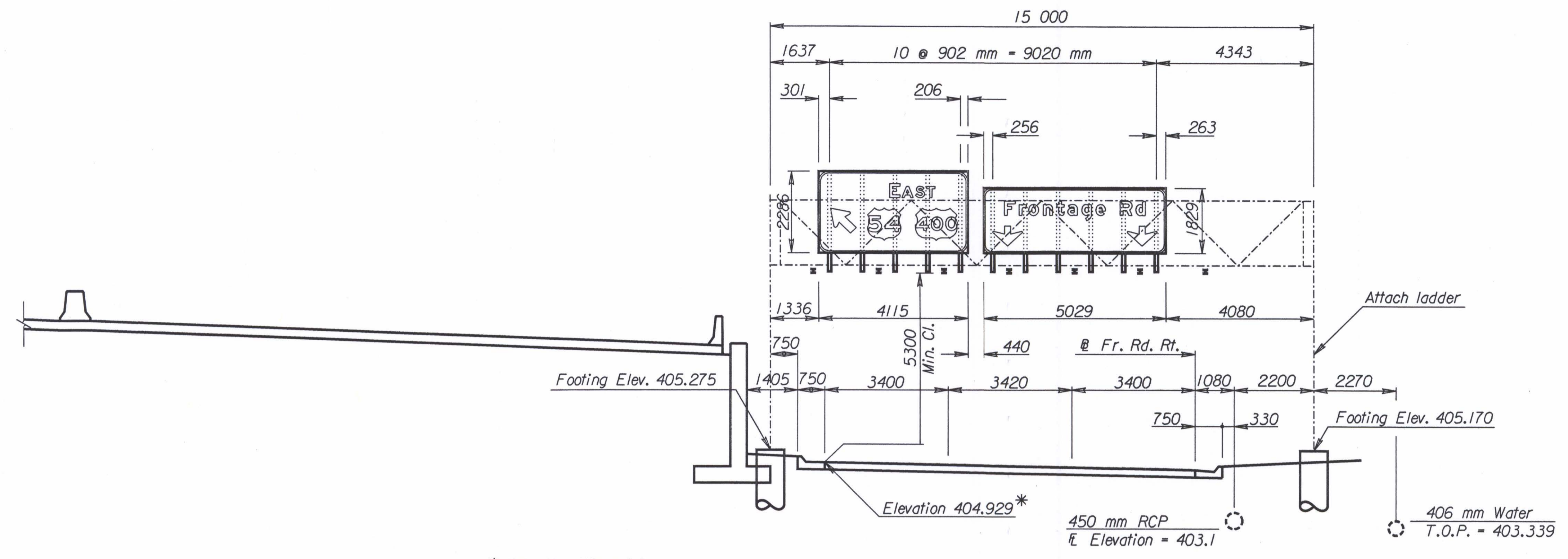
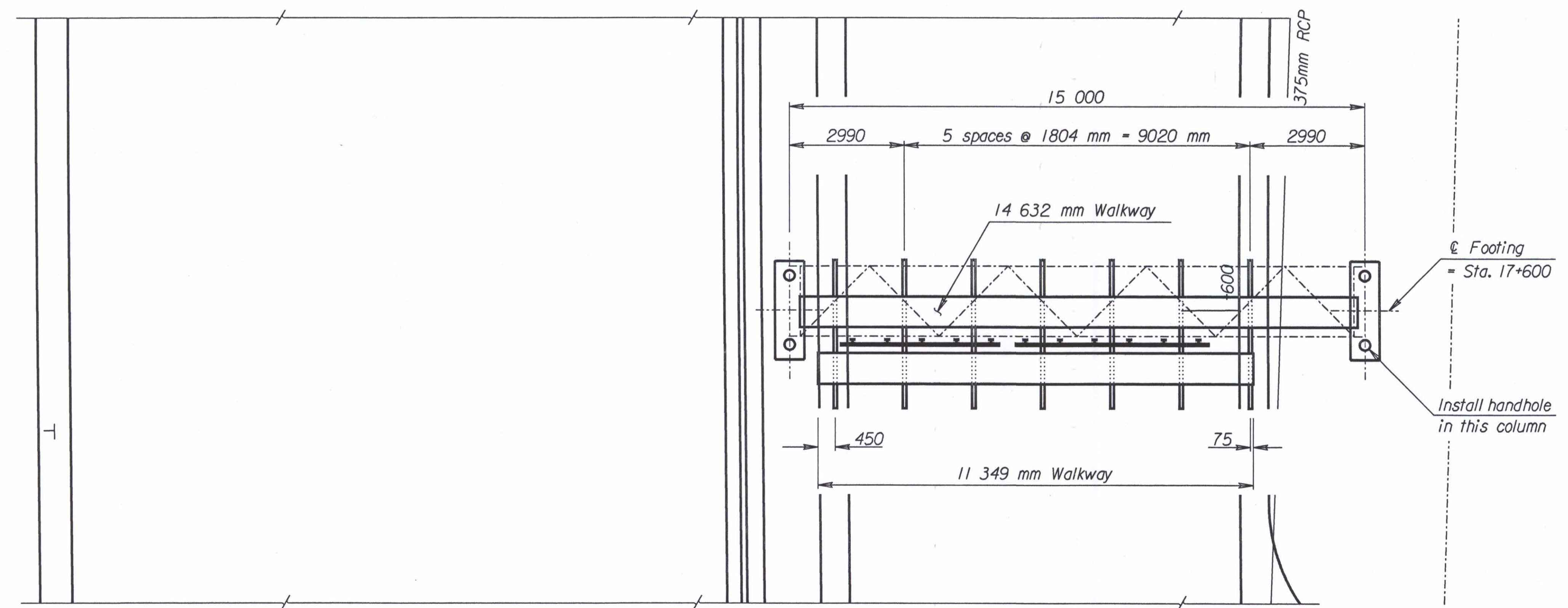


STATE	PROJECT NO.	YEAR	SHEET NO.	TOTAL SHEETS
KANSAS	54-87 K-6657-01	2002	760	1122



* Note: Use this point as a control point for all elevations.

ELEVATION



PLAN

ALUMINUM DETAILS			
TRUSS	Member 1 Wall Thickness	3.76	
	Member 2 Wall Thickness	3.05	
	N = 8 X = 284 S = 1804 Camber = 18		
END SUPPORTS	Member 1 Wall Thickness	4.19	
	Member 2 Wall Thickness	3.05	
	Left N = 3 S = 1565 L = 7115 Right N = 3 S = 1600 L = 7220		
FOOTINGS	Left Type	B	Right Type B

Scale 1:75

Plotted By: \$\$\$USERNAME\$\$\$ Plot Location: \$/UNIT/\$
 File: \$\$\$FILENAME\$\$\$ DGN/SPEC/\$\$\$FILENAME\$\$\$
 Plot Date: \$\$\$STIME\$\$\$

NO.	DATE	REVISIONS	BY	APP'D
3				
2				
1				

KANSAS DEPARTMENT OF TRANSPORTATION
 EB US-54 Fr. Rd. R+. STATION 17+600
 SPAN TYPE OVERHEAD SIGN STRUCTURE
 CONSTRUCTION LAYOUT
 ALUMINUM ALTERNATE

PROJ. NO. 54-87 K-6657-01 SEDGWICK CO.

SHEET NO. 16 OF 44	SCALE	APP'D
DESIGNED SMB	DETAILED SMB	QUANTITIES
DESIGN CR.	DETAIL CR.	CADD CR.