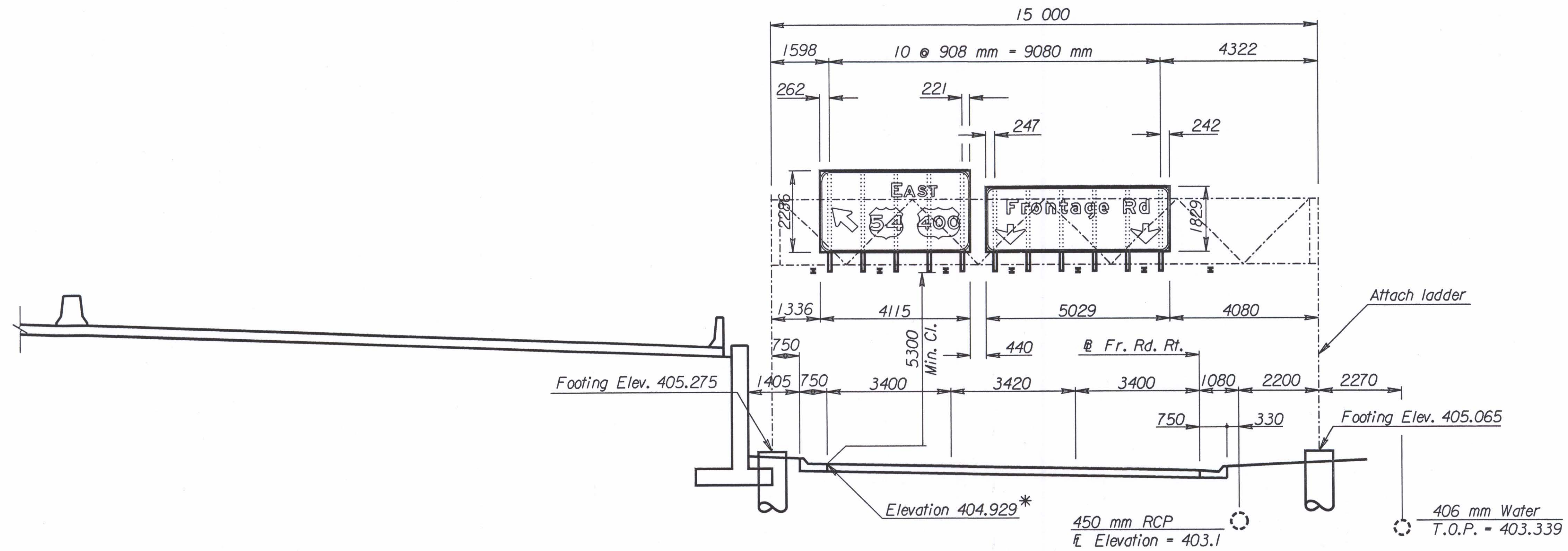
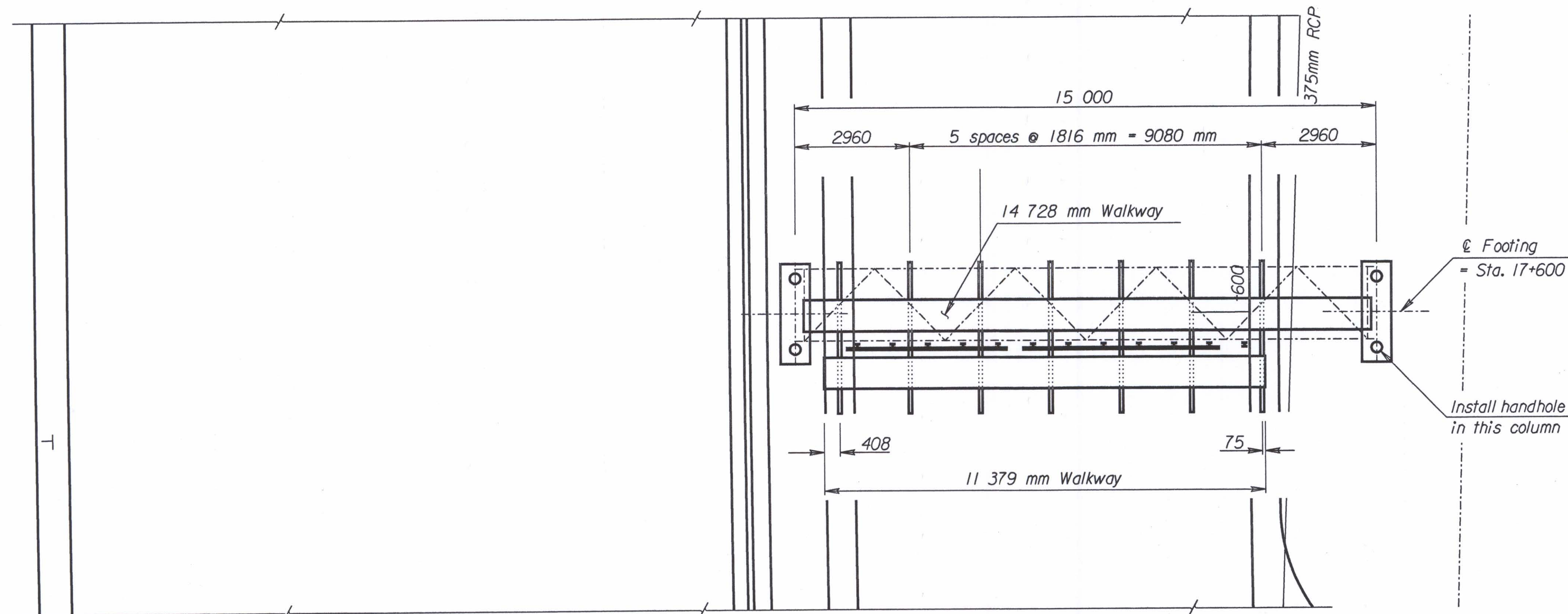


STATE	PROJECT NO.	YEAR	SHEET NO.	TOTAL SHEETS
KANSAS	54-87 K-6657-01	2002	761	1122



* Note: Use this point as a control point for all elevations.

ELEVATION



PLAN

~~STEEL NOT USED.~~

STEEL DETAILS	
TRUSS	Member 1 Wall Thickness 4.78
	Member 2 Wall Thickness 3.05
	N = 8 X = 236 S = 1816 Camber = 17
END SUPPORTS	Member 1 Wall Thickness 4.78
	Member 2 Wall Thickness 3.18
	Left N = 3 S = 1565 L = 7060
	Right N = 3 S = 1635 L = 7270
FOOTINGS	Left Type B Right Type A

Scale 1:75

Plotted By: \$USERNAME\$\$ Plot Location: \$UNIT\$
 File: \$\$\$\$\$\$DGN\$SPEC\$\$\$\$\$
 Plot Date: \$\$\$\$STIME\$\$\$\$\$

NO.	DATE	REVISIONS	BY	APP'D
3				
2				
1				

KANSAS DEPARTMENT OF TRANSPORTATION
EB US-54 Fr. Rd. Rt. STATION 17+600
SPAN TYPE OVERHEAD SIGN STRUCTURE
CONSTRUCTION LAYOUT
STEEL ALTERNATE
PROJ. NO. 54-87 K-6657-01 SEDGWICK CO.

DESIGNED	SCALE	APP'D
SMB	DETAILED	SMB
DESIGN CR.	DETAILED CR.	QUANTITIES
		CADD
		CADD CR.