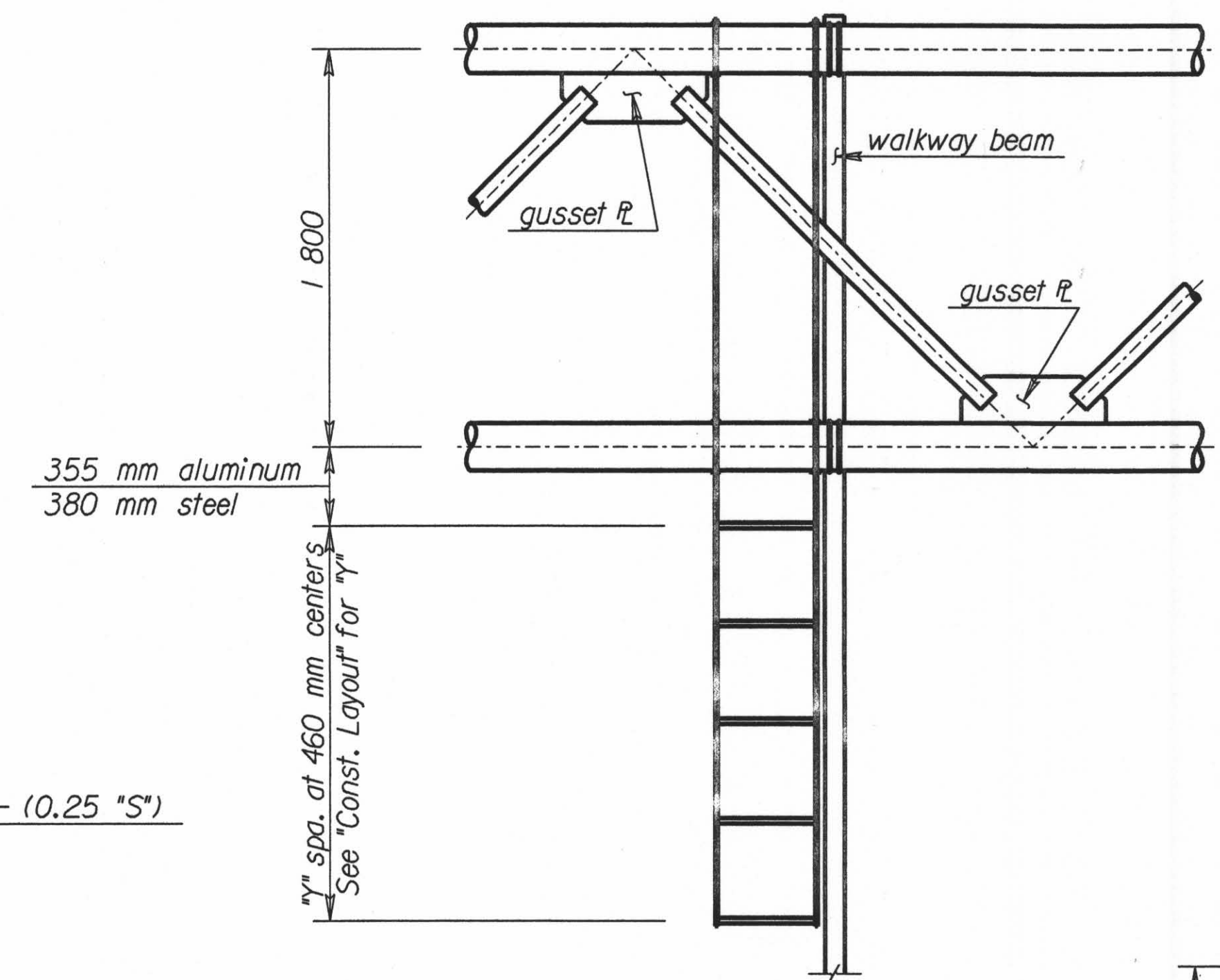
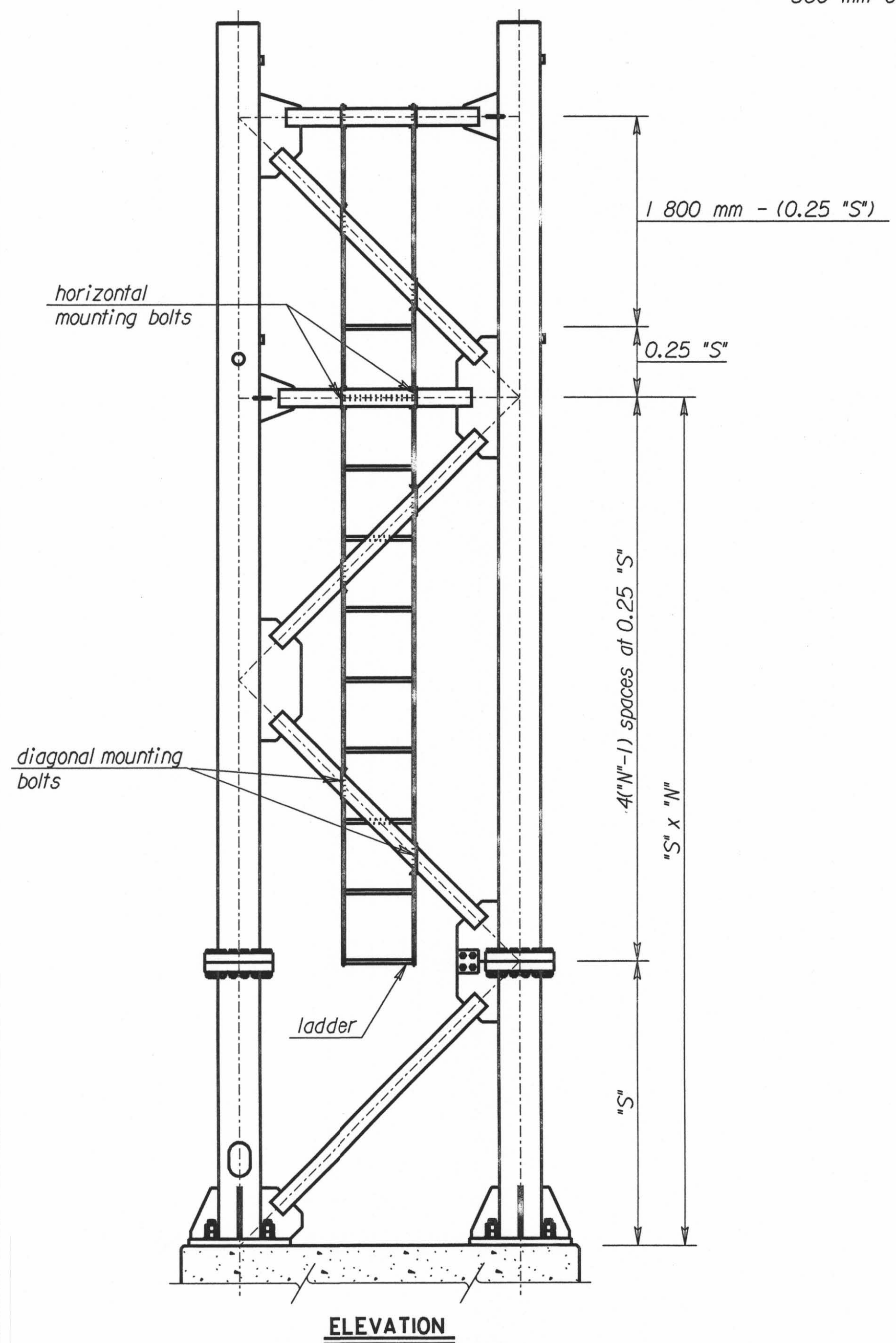
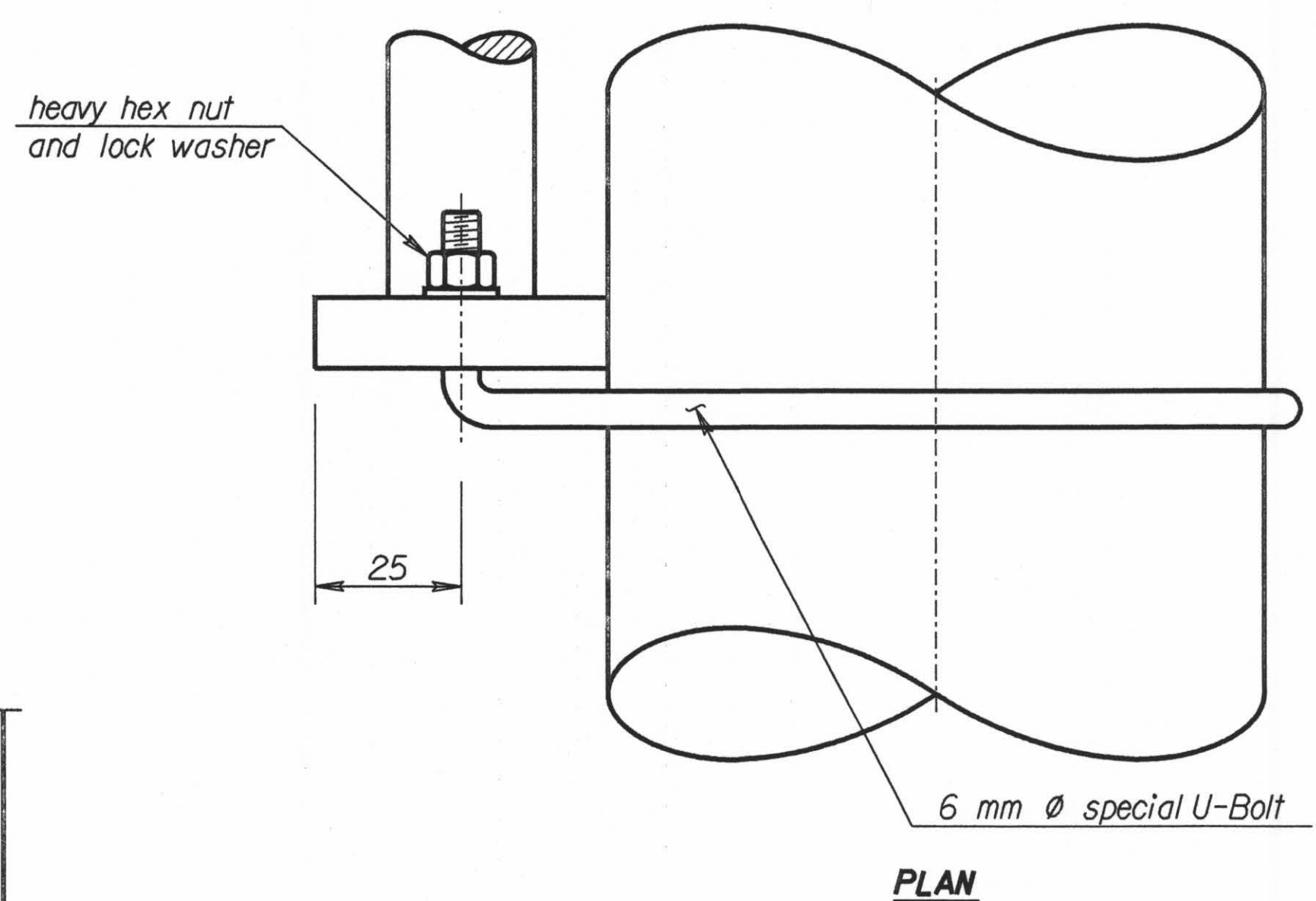


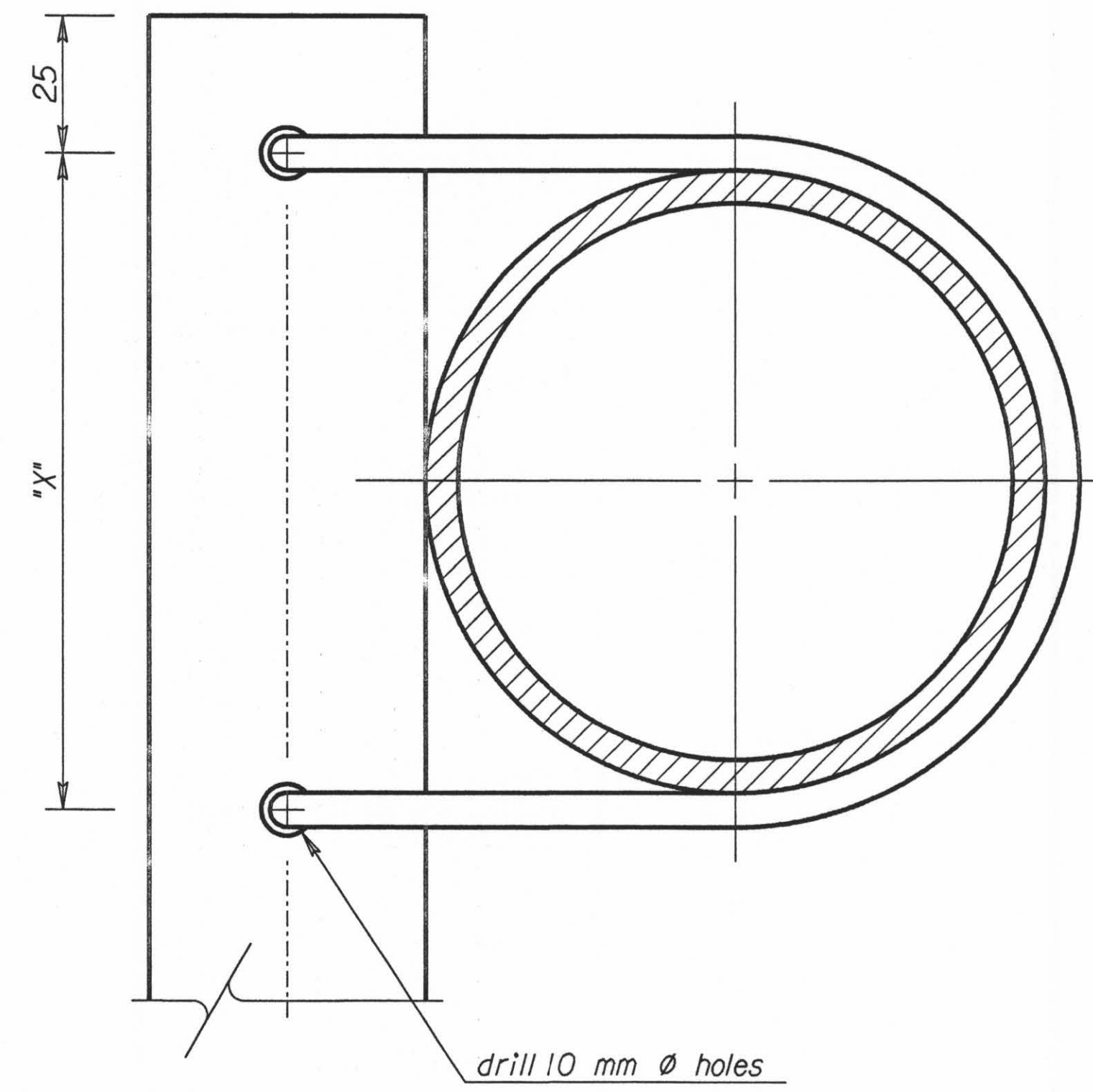
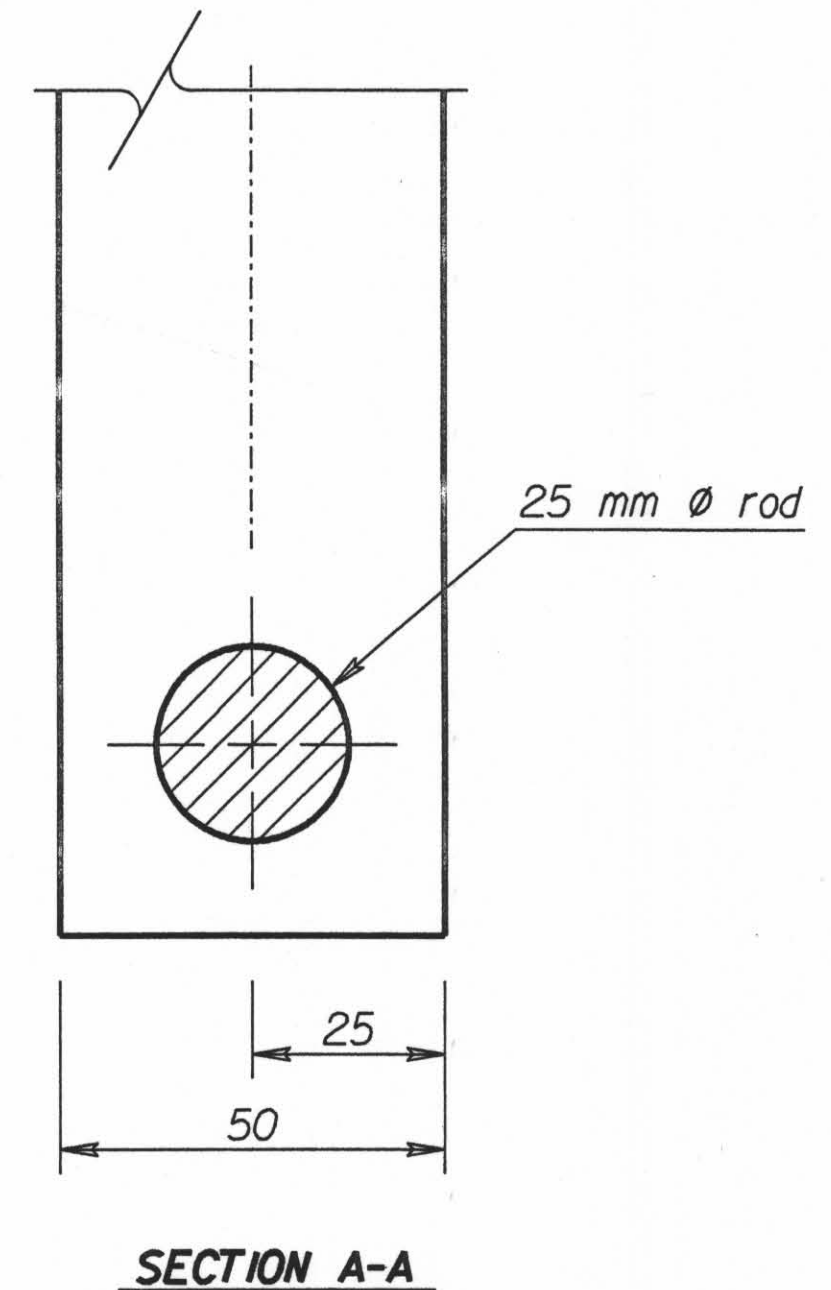
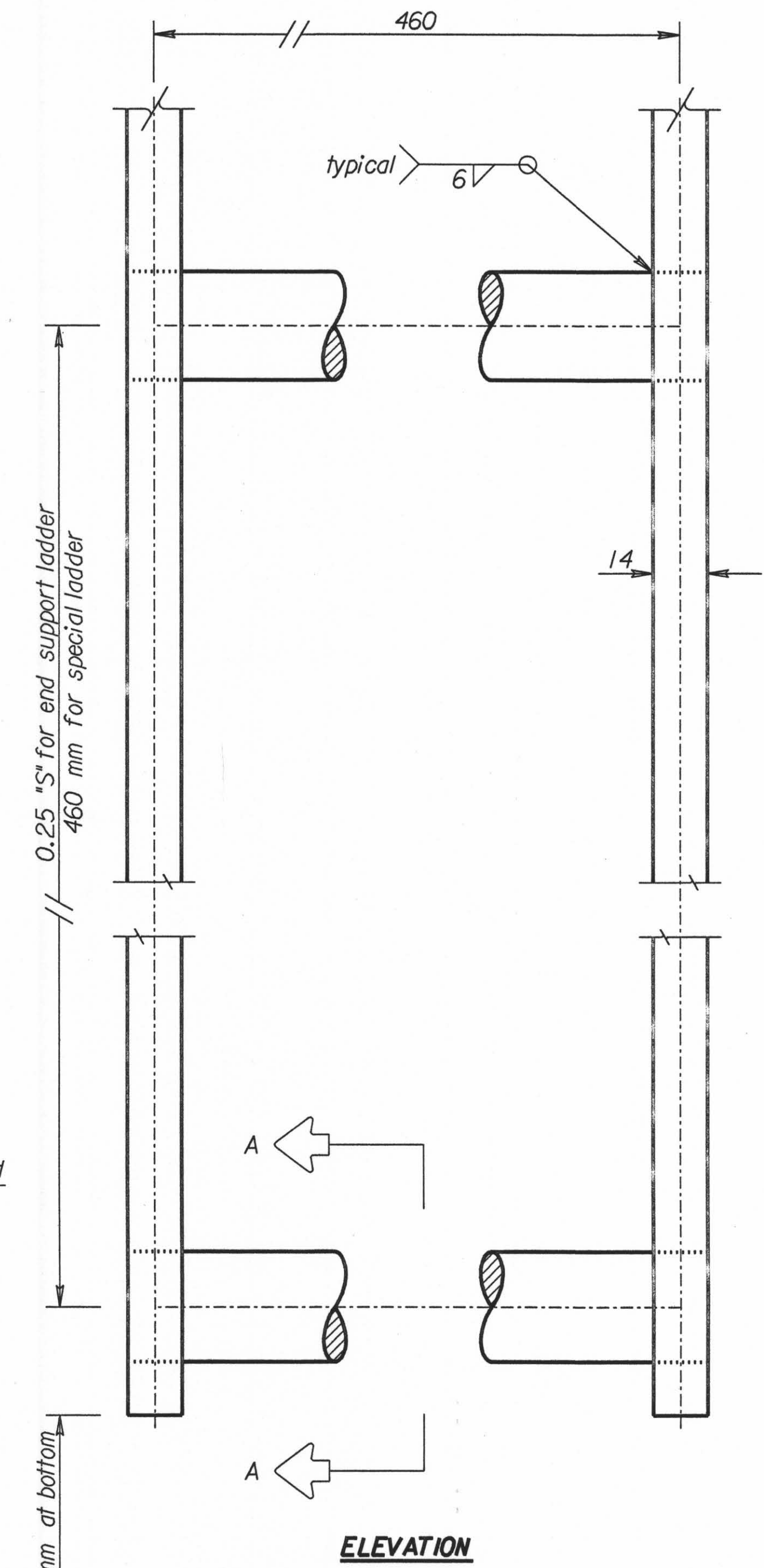
DIMENSION "X"			
Location	Horizontal Connection	Diagonal Connection	Special Ladder Connection
Aluminum	125	190	225
Steel	100	150	175



Note: Center the ladder approximately between the walkway beam and the adjacent gusset plate.



SPECIAL LADDER CONNECTION
(only front truss members shown)



MOUNTING DETAILS
(top shown, other connections similar)

Note: Always mount ladder on outside of end support. See "Construction Layout" for end support(s) to be used and dimensions "S" and "N".

Std. Base File: sl15\sl15.dgn - Plot 4
Plotted By: \$\$/USERNAME\$\$ | Plot Location: \$/UNIT\$
File: \$\$\$\$\$\$DGN\$SPEC\$
Plot Date: \$\$\$\$\$\$SYTIME\$\$\$\$\$\$\$\$

NO.	DATE	REVISIONS	BY	APP'D

KANSAS DEPARTMENT OF TRANSPORTATION
STANDARD STRUCTURAL SIGN SUPPORTS
SPAN TYPE OVERHEAD
LADDER DETAILS

SL15IA-04 SI SEDGWICK CO.

DESIGNED	DETAILED	LES	QUANTITIES	CADD	DJE
DESIGN CR.	DETAIL CR.	DRE	QUANCK.	CADD CR.	LES

FWHA APPROVAL 4-10-97 APP'D Kenneth F. Hurst
DESIGNED CADD DJE
DESIGN CR. DETAIL CR. DRE QUANCK. CADD CR. LES