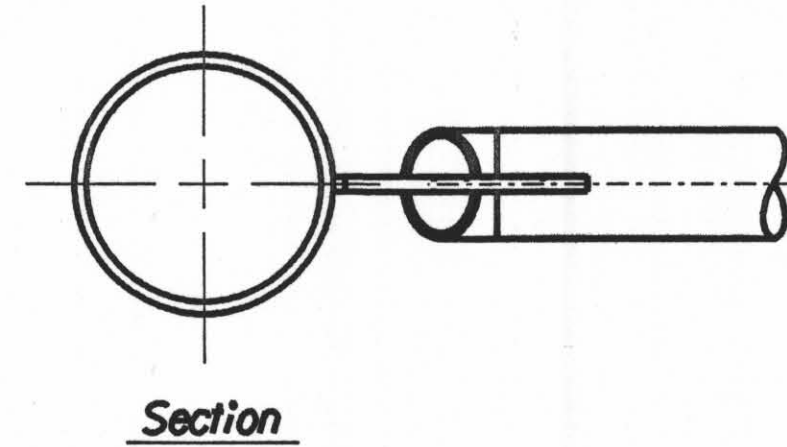
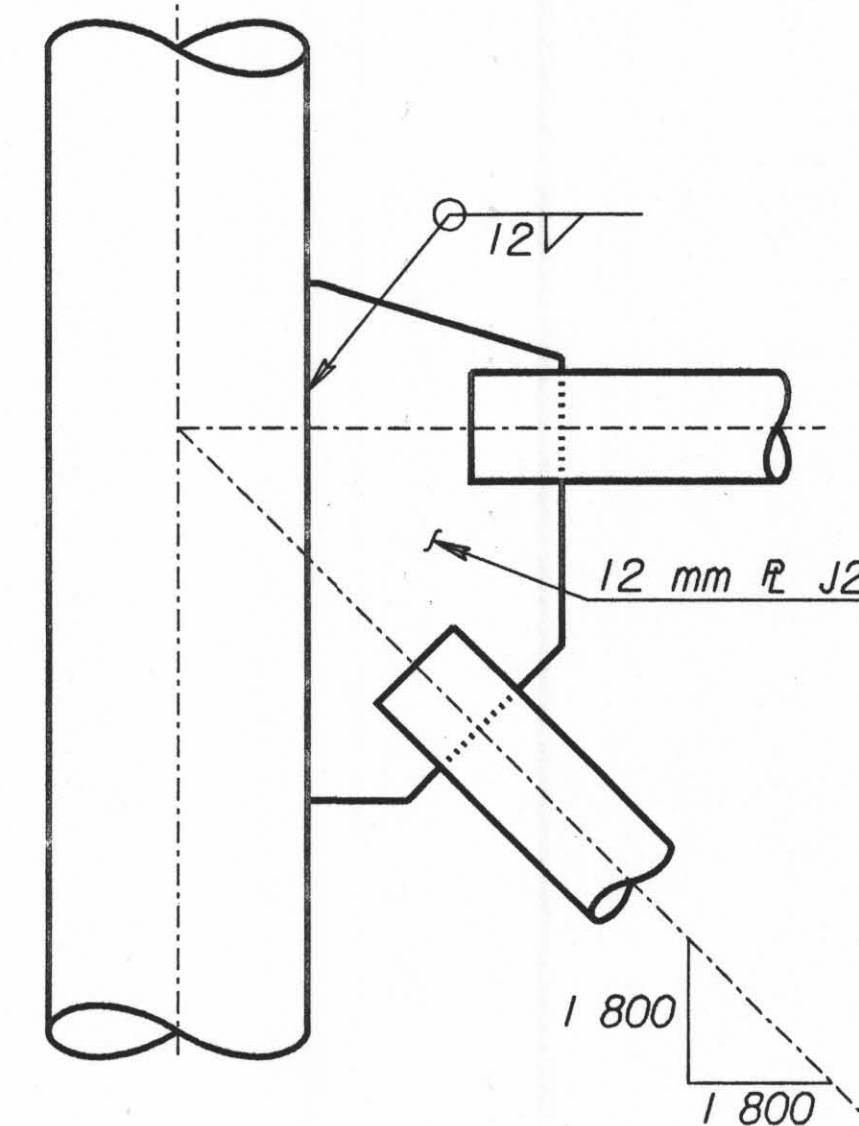
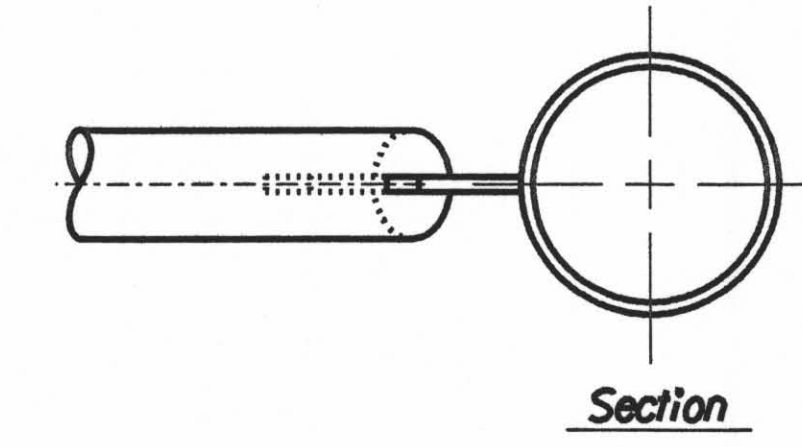
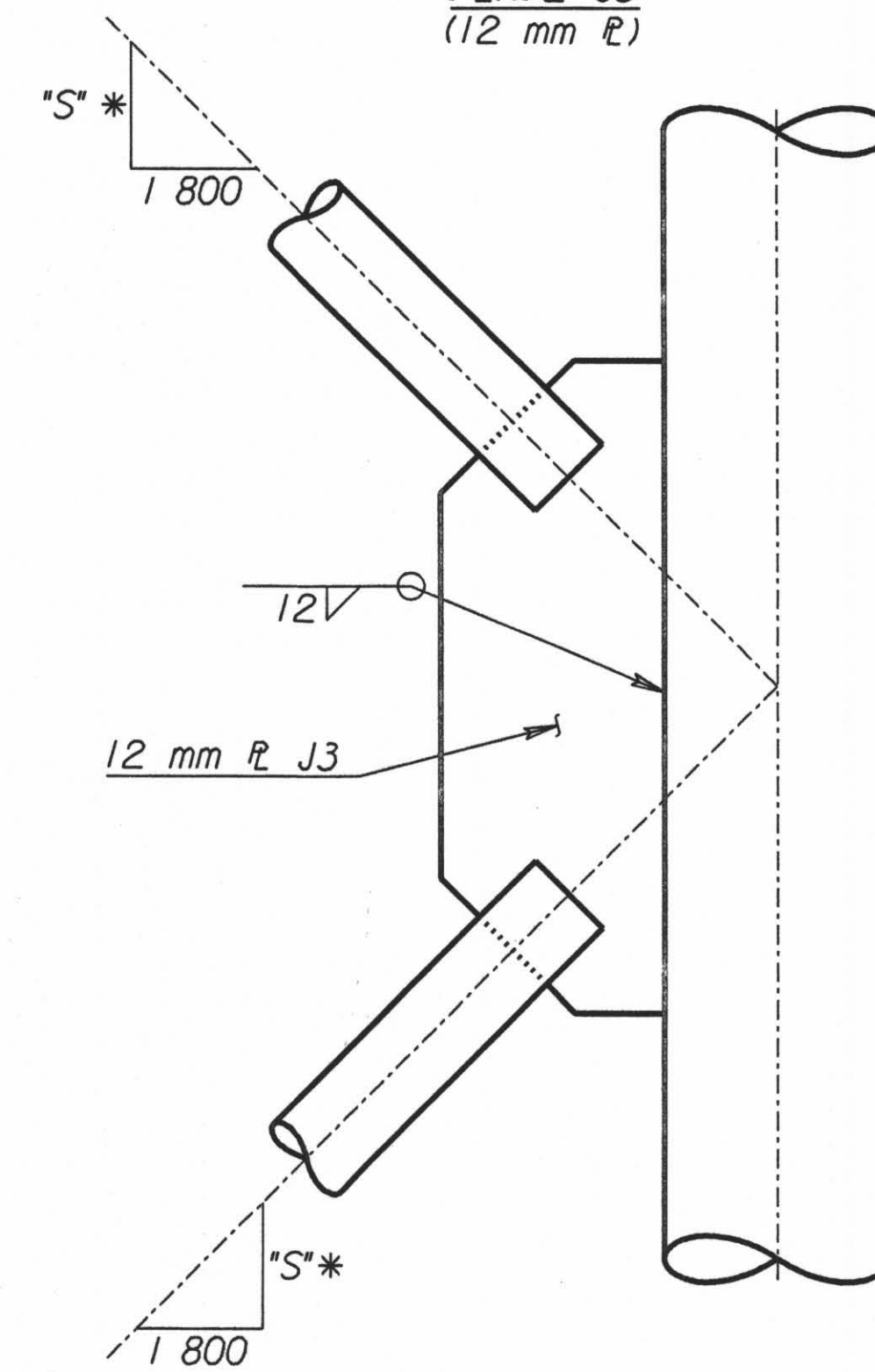


DETAILS JOINT J1



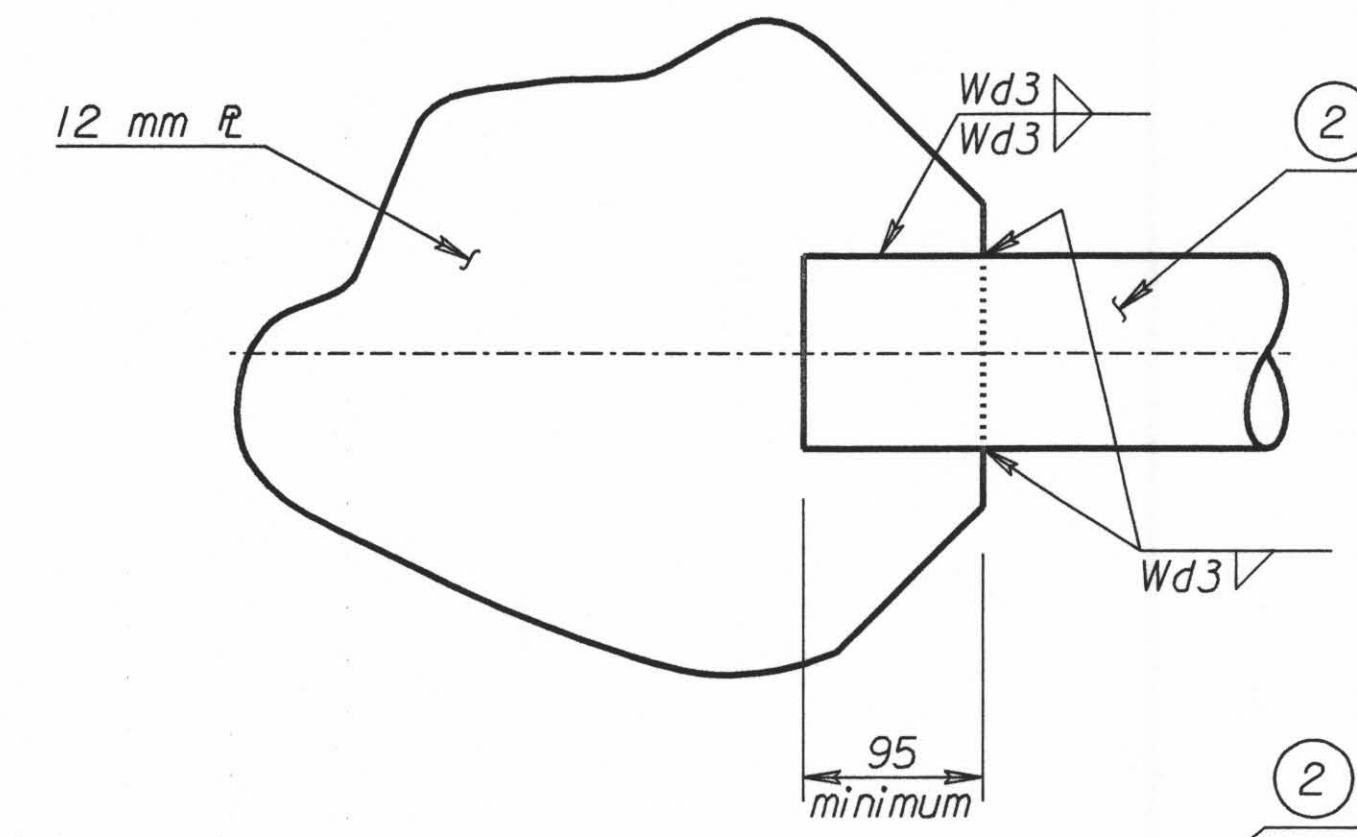
DETAILS JOINT J2



DETAILS JOINT J3

Member ②*	Fillet Weld size Wd3
3.05	6
6.02	12
8.56	16

* See Construction Layout for wall thickness and "S"



TYPICAL WELDED JOINT

* Note: Joint J4 is identical to J3 except J4 has an additional member (See End Support Elevation).

Std. Base File: sl151bsi.dgn - Plot 2
 Plotted By: \$USER\$
 File: \$\$\$\$SYTIME\$\$\$\$
 Plot Date: \$\$\$\$SYTIME\$\$\$\$

NO.	DATE	REVISIONS	BY	APP'D

KANSAS DEPARTMENT OF TRANSPORTATION
 STANDARD STRUCTURAL SIGN SUPPORTS
 SPAN TYPE OVERHEAD
 ALUMINUM ALTERNATE
 END SUPPORT JOINT DETAILS
 SL151B-02 SI SEDGWICK CO.

DESIGNED	BEM	DETAILED	DDP	QUANTITIES	CADD
DESIGN CR.	RDH	DETAIL CR.	RDH	QUAN. CK.	CADD CR.

4-10-97 APP'D Kenneth F. Hurst
 D.J.E.
 L.E.S.