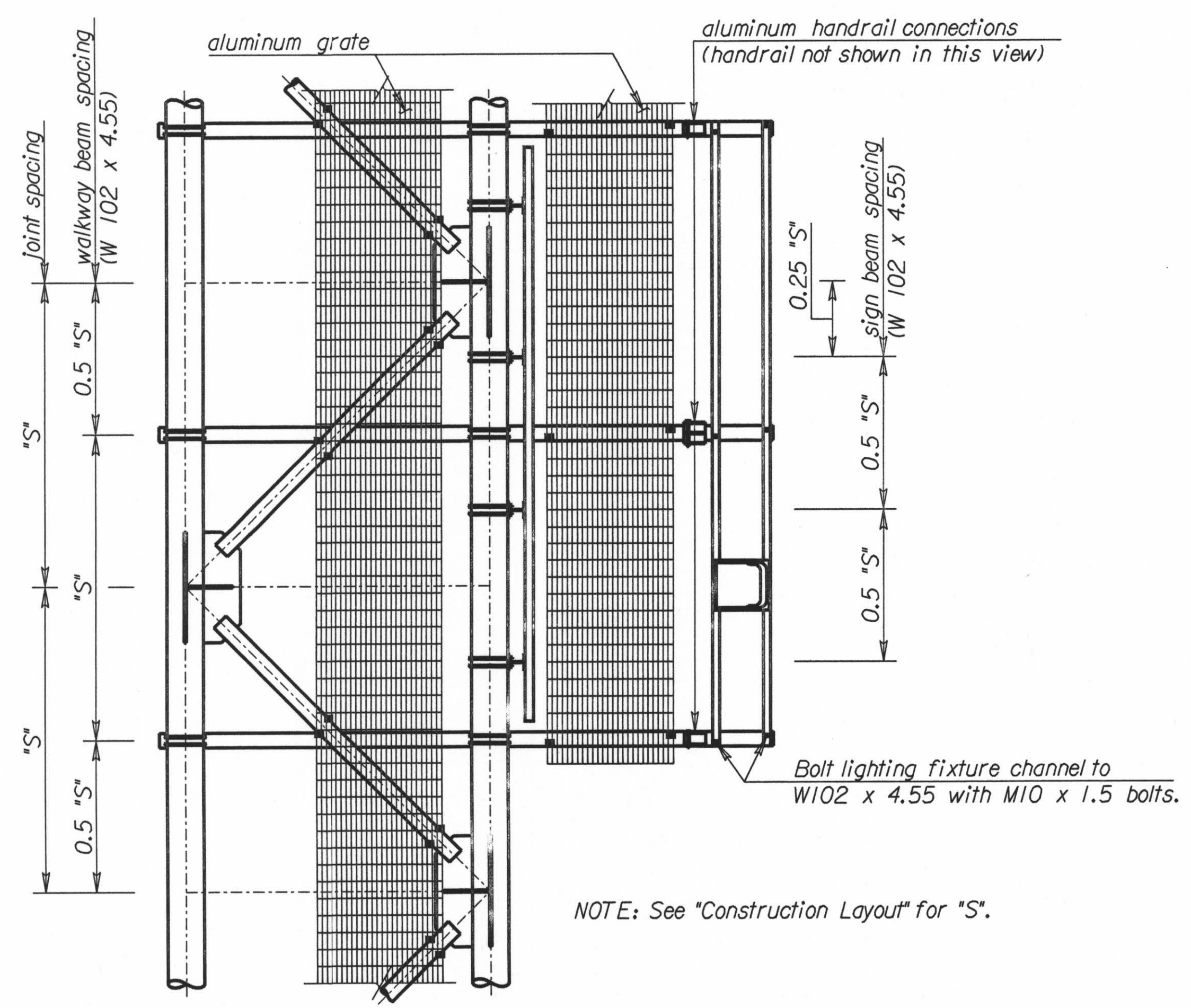
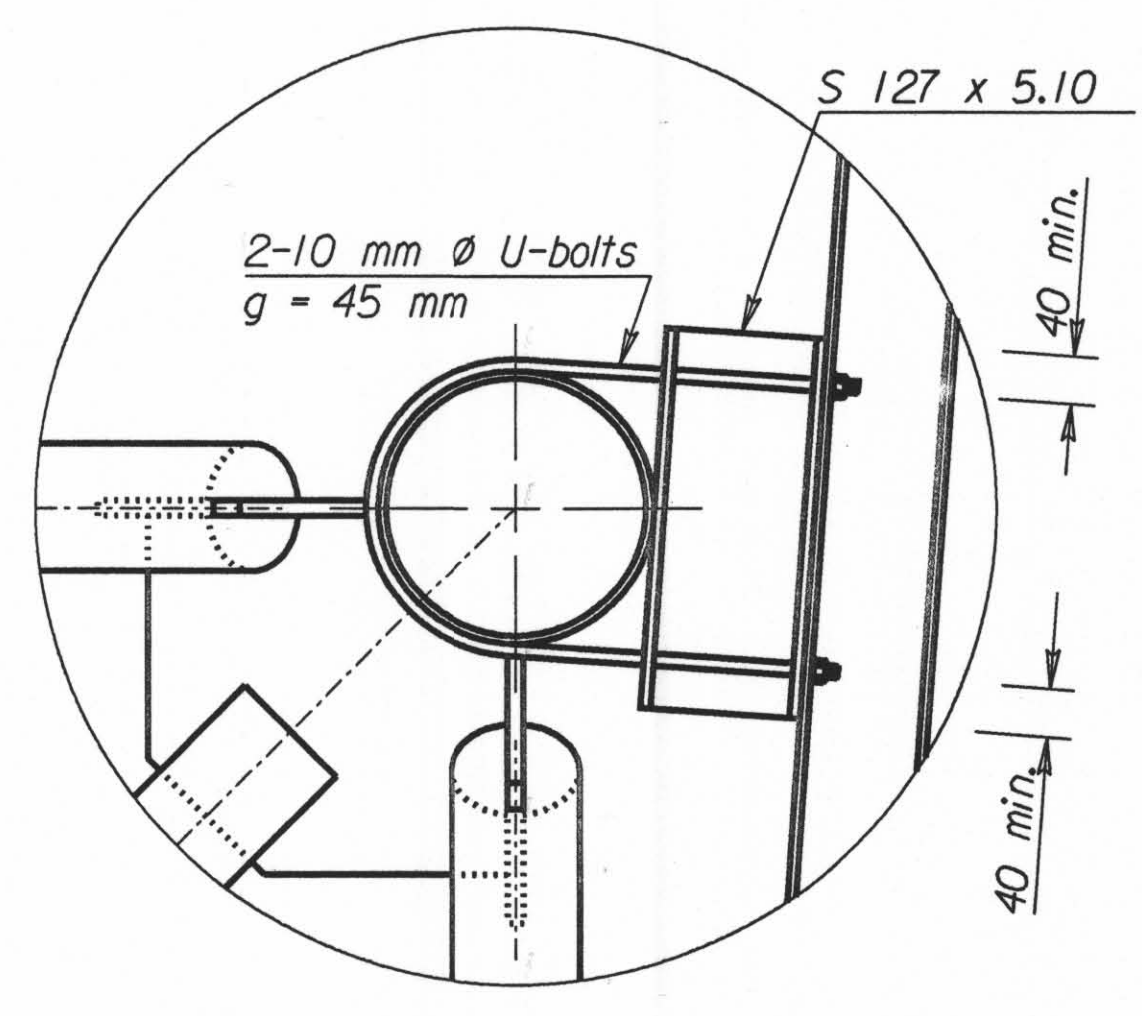


STATE	PROJECT NO.	YEAR	SHEET NO.	TOTAL SHEETS
KANSAS	54-87 K-6657-01	2002	775	1122

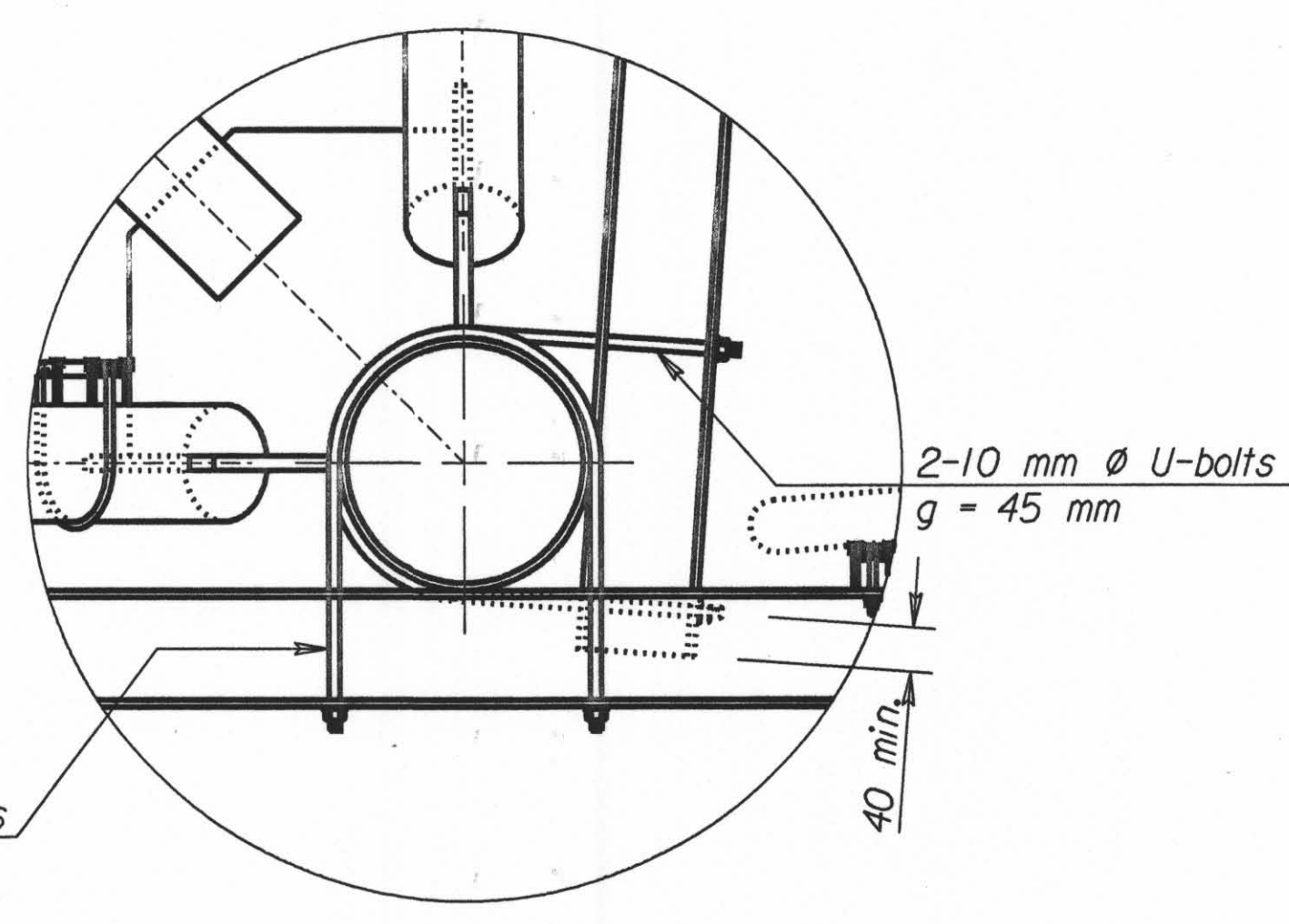


NOTE: See "Construction Layout" for "S".

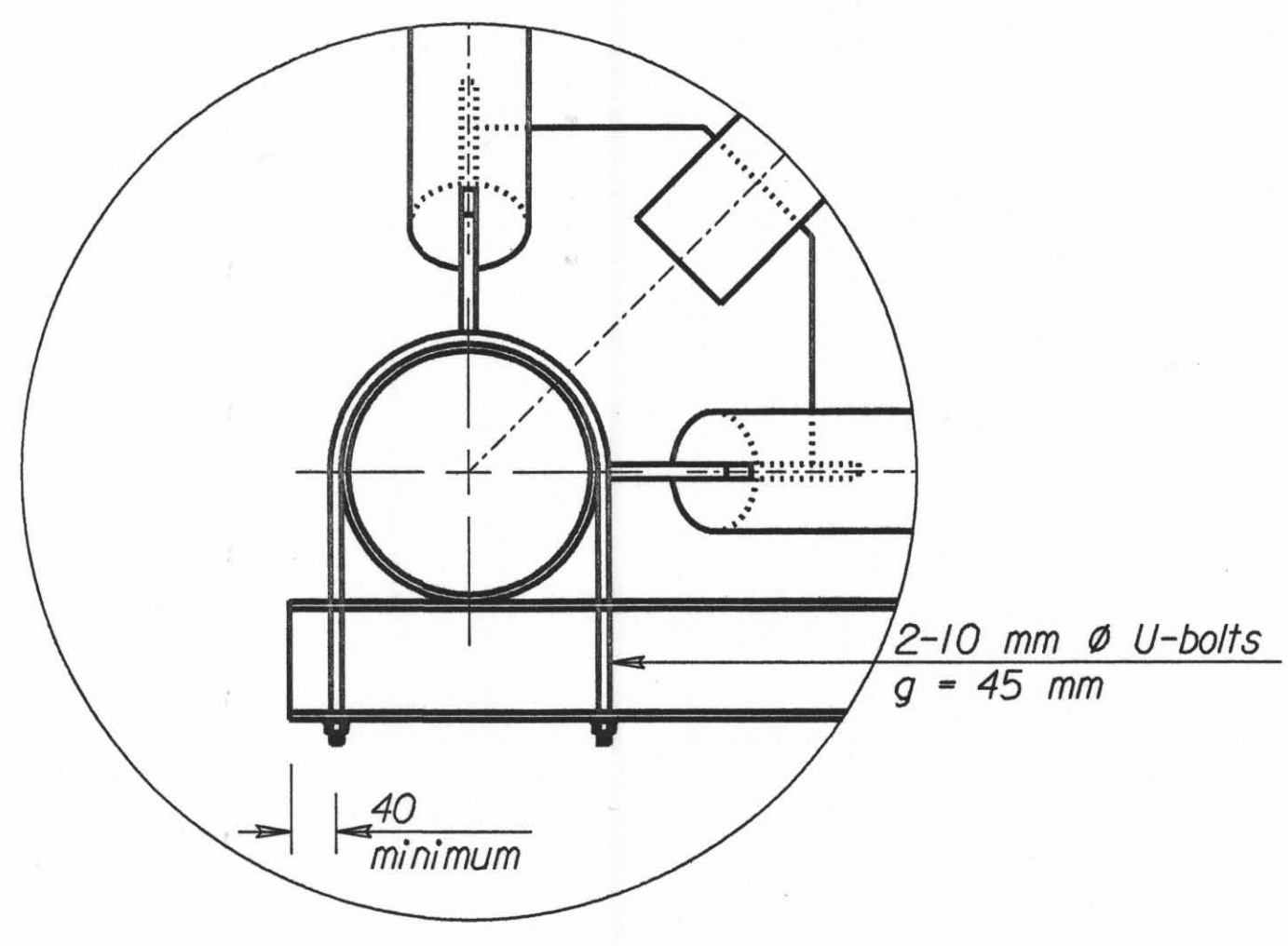
**PLAN**  
(Only lower truss members shown)



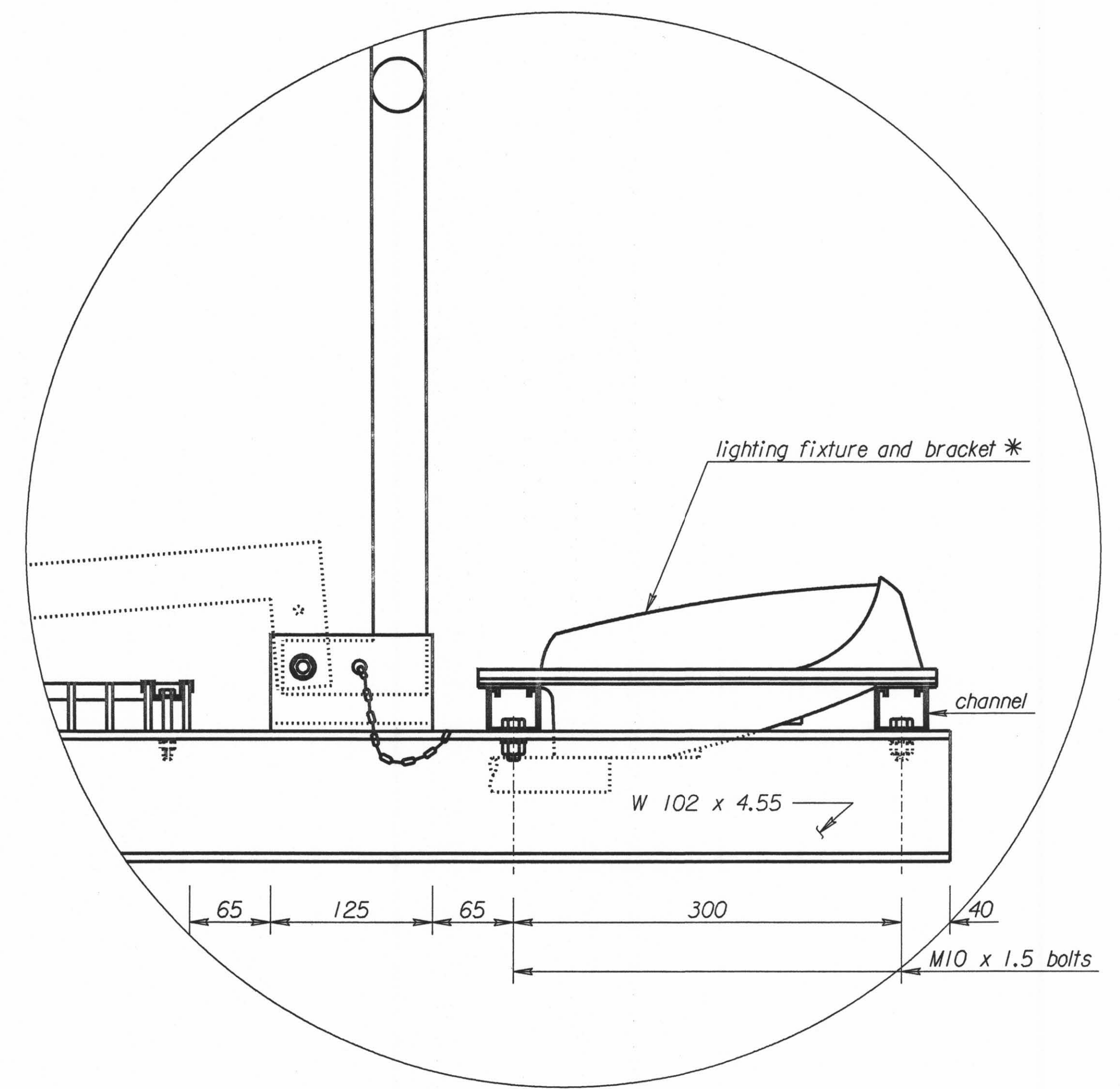
**Detail A**



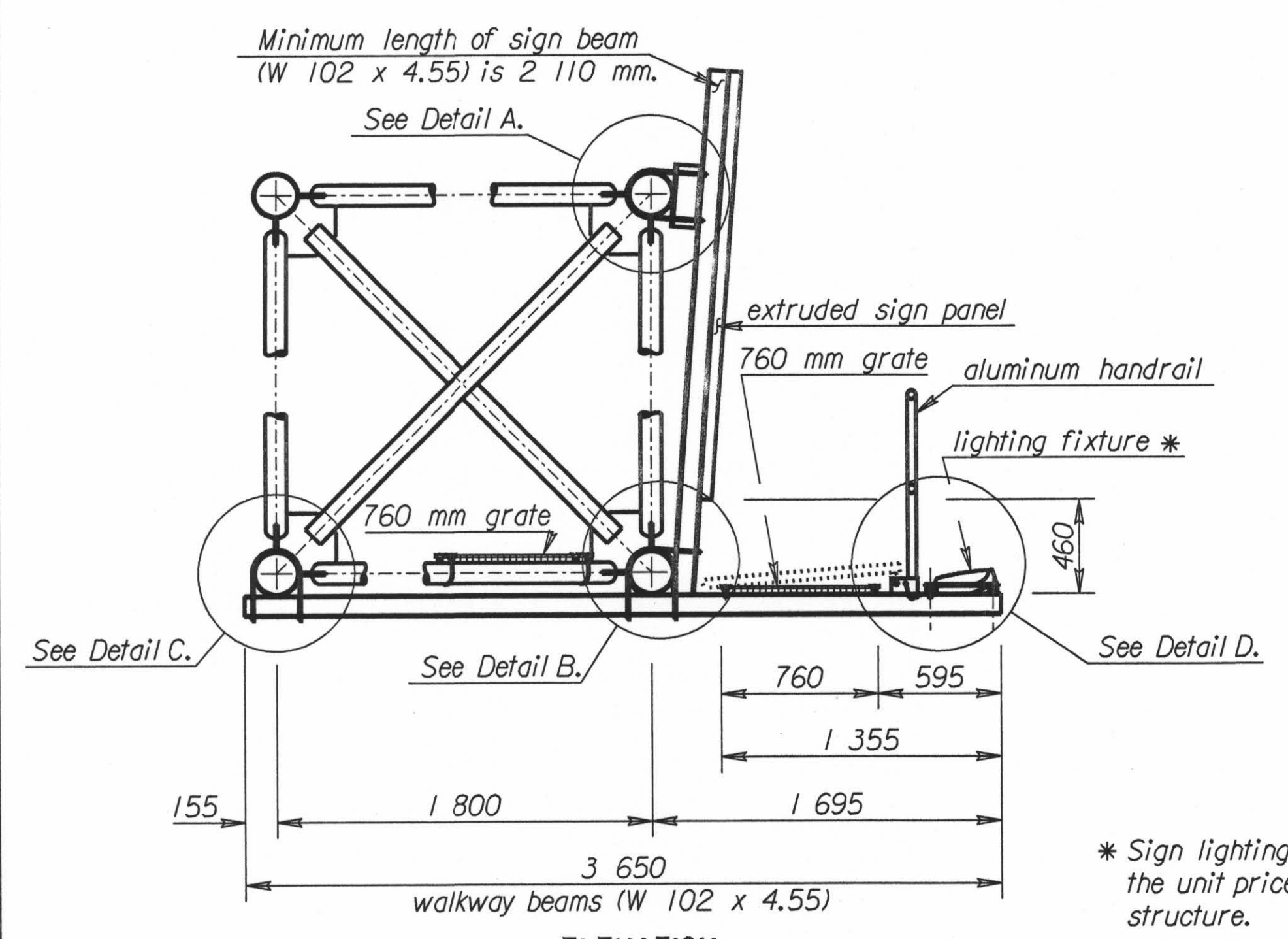
**Detail B**



**Detail C**



**Detail D**



**ELEVATION**

\* Sign lighting is not included in the unit price bid for each structure.

Std. Base File: sl151bsi.dgn - Plot 8  
Plotted By: \$\$\$USERNAME\$\$\$ Plot Location: \$UNIT\$\\$  
File: \$\$\$DGNFILE\$\$\$  
Plot Date: \$\$\$STTIME\$\$\$

NO.	DATE	REVISIONS	BY	APP'D		
KANSAS DEPARTMENT OF TRANSPORTATION						
STANDARD STRUCTURAL SIGN SUPPORTS						
SPAN TYPE OVERHEAD						
ALUMINUM ALTERNATE						
SIGN MOUNTING AND WALKWAY DETAILS						
SL151B-08 SI SEDGWICK CO.						
DESIGNED	BFM	DETAILED	JD/RH	QUANTITIES	CADD	DJE
DESIGN CK.	KFH	DETAL. CK.	KFH	QUAN. CK.	CADD CK.	LES