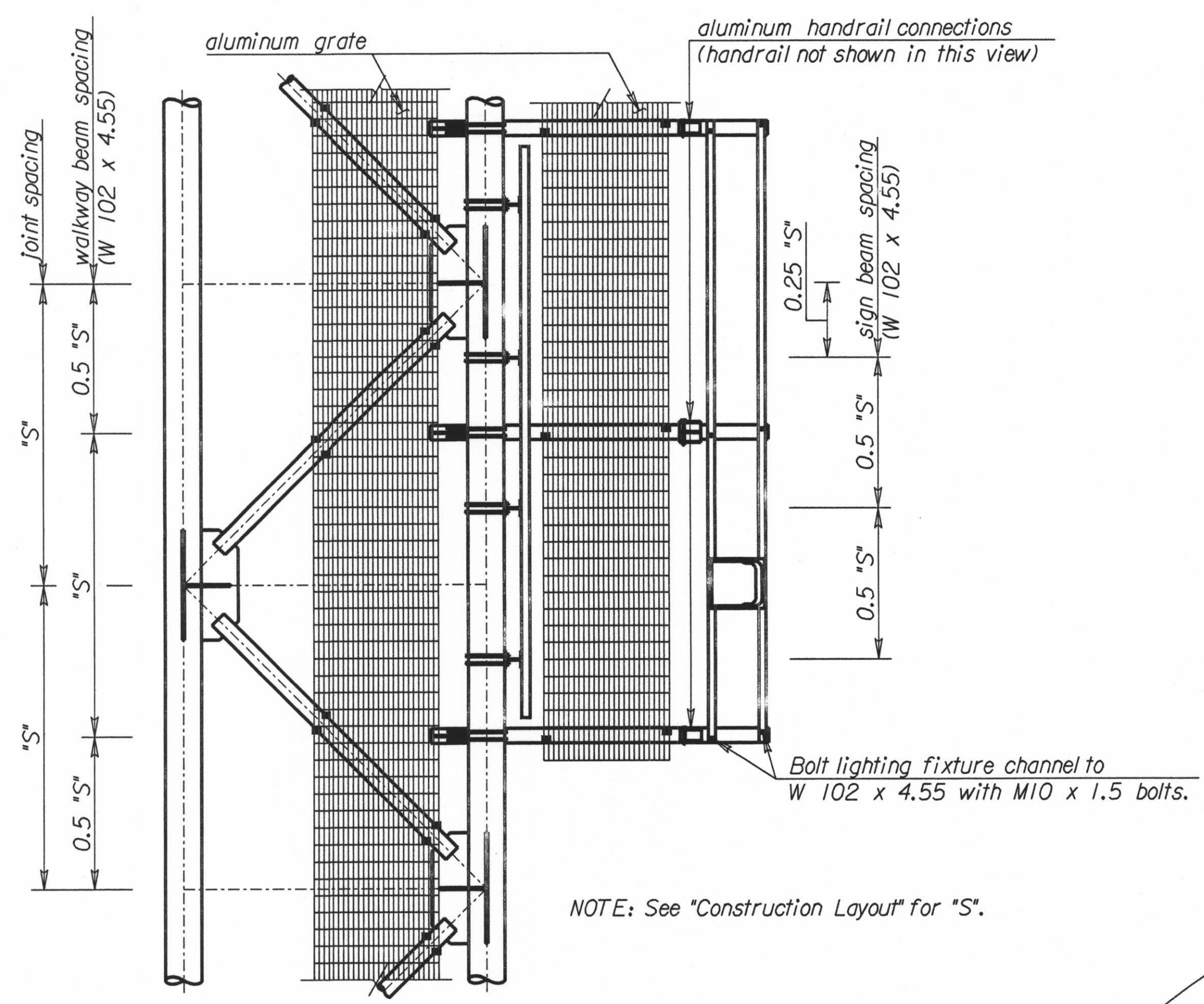
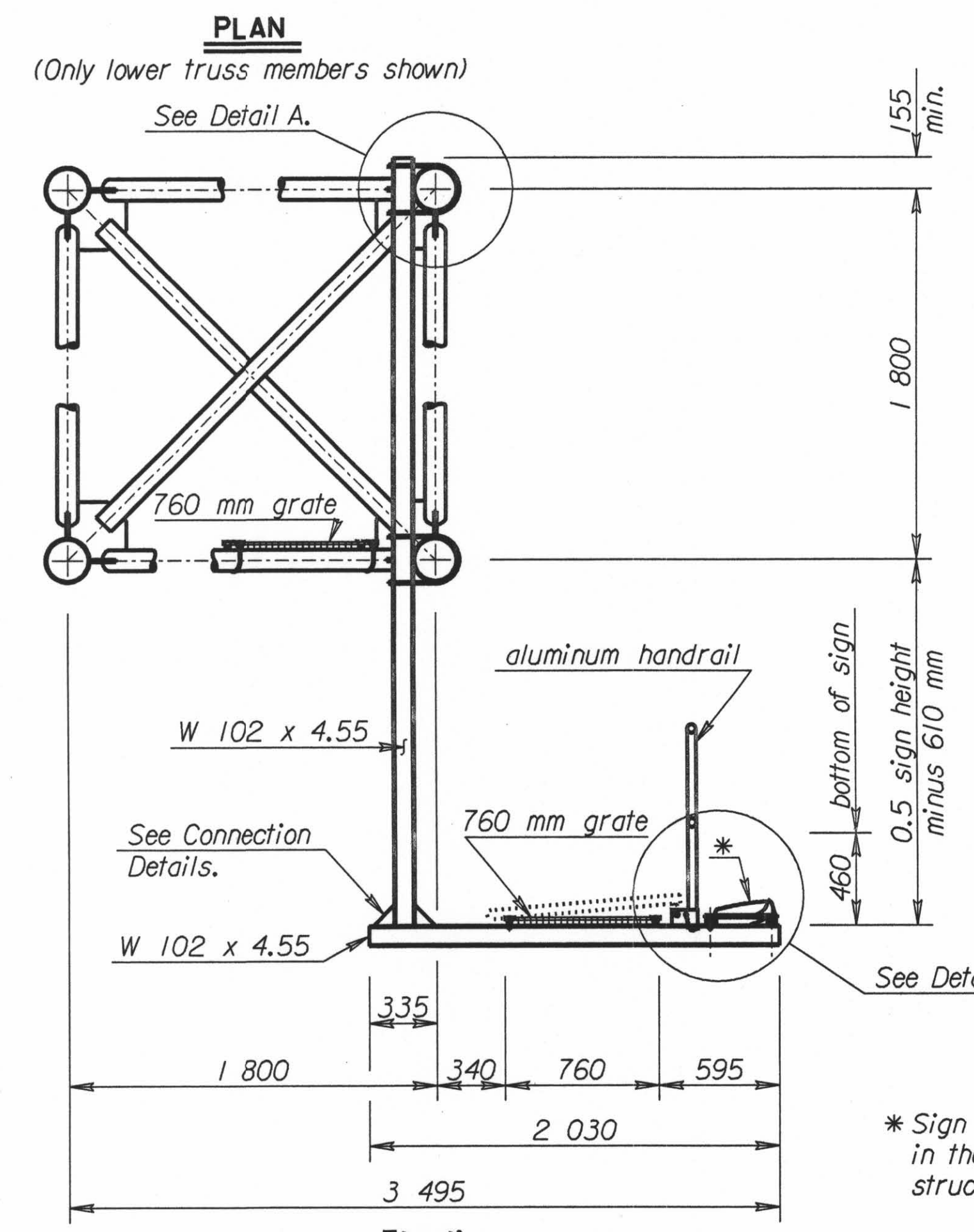


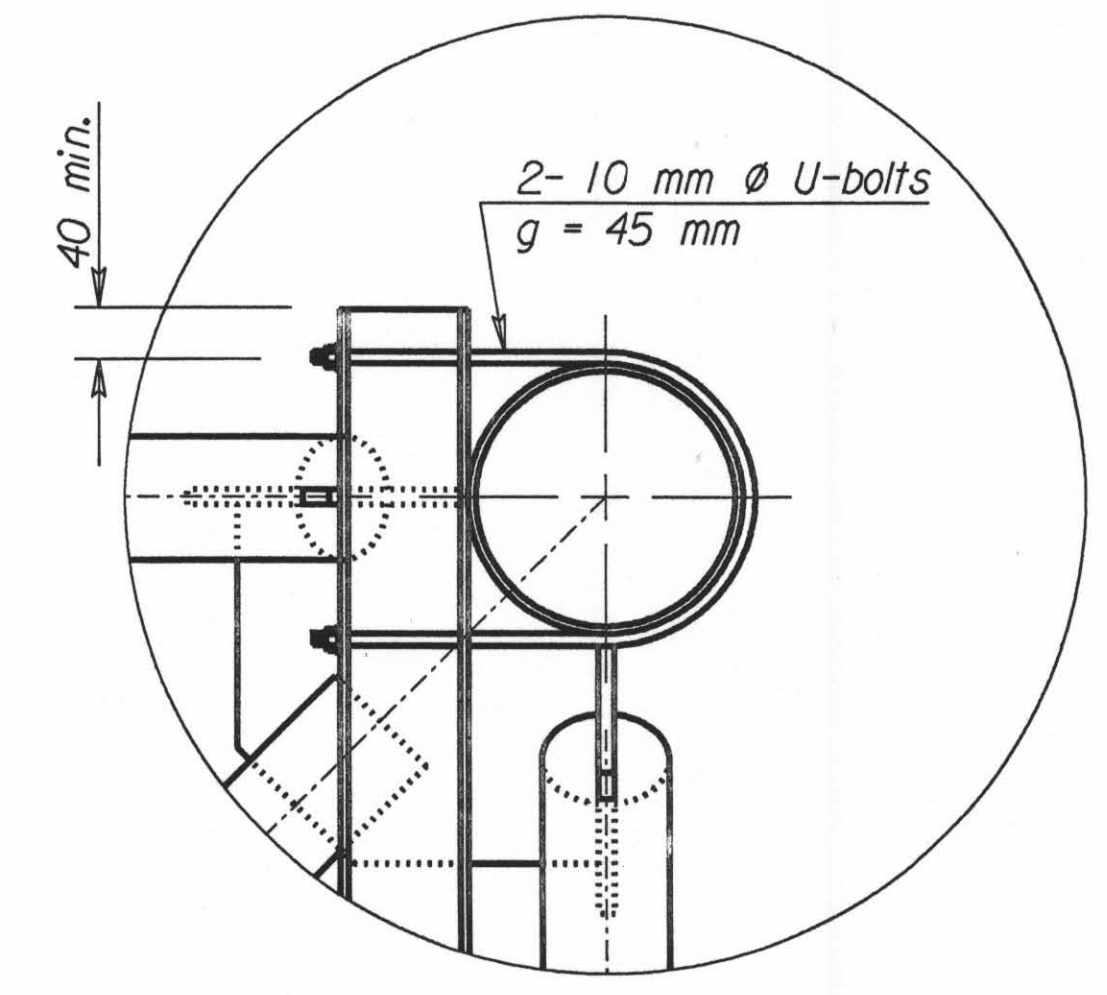
STATE	PROJECT NO.	YEAR	SHEET NO.	TOTAL SHEETS
KANSAS	54-87 K-6657-01	2002	777	1122



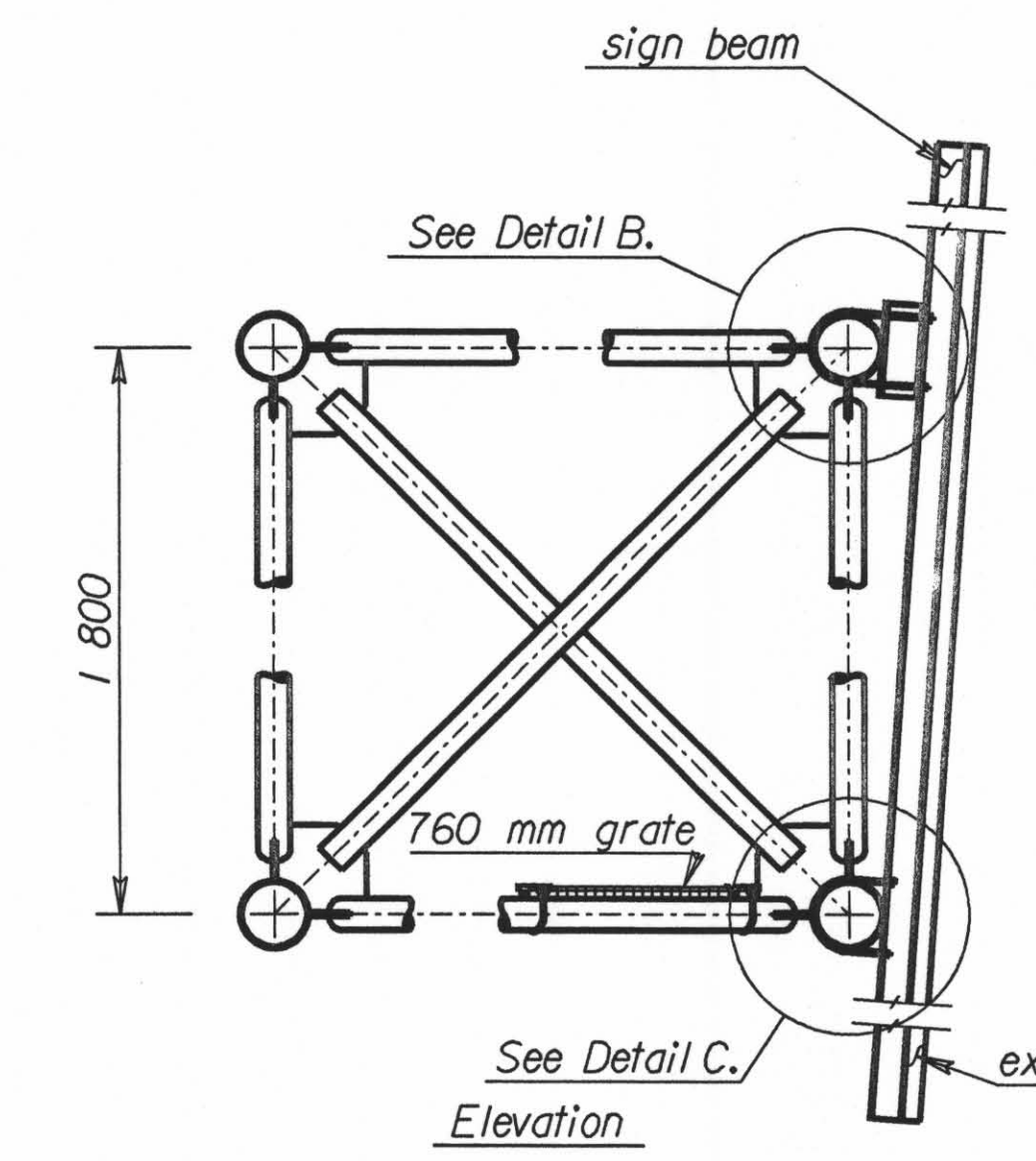
NOTE: See "Construction Layout" for "S".



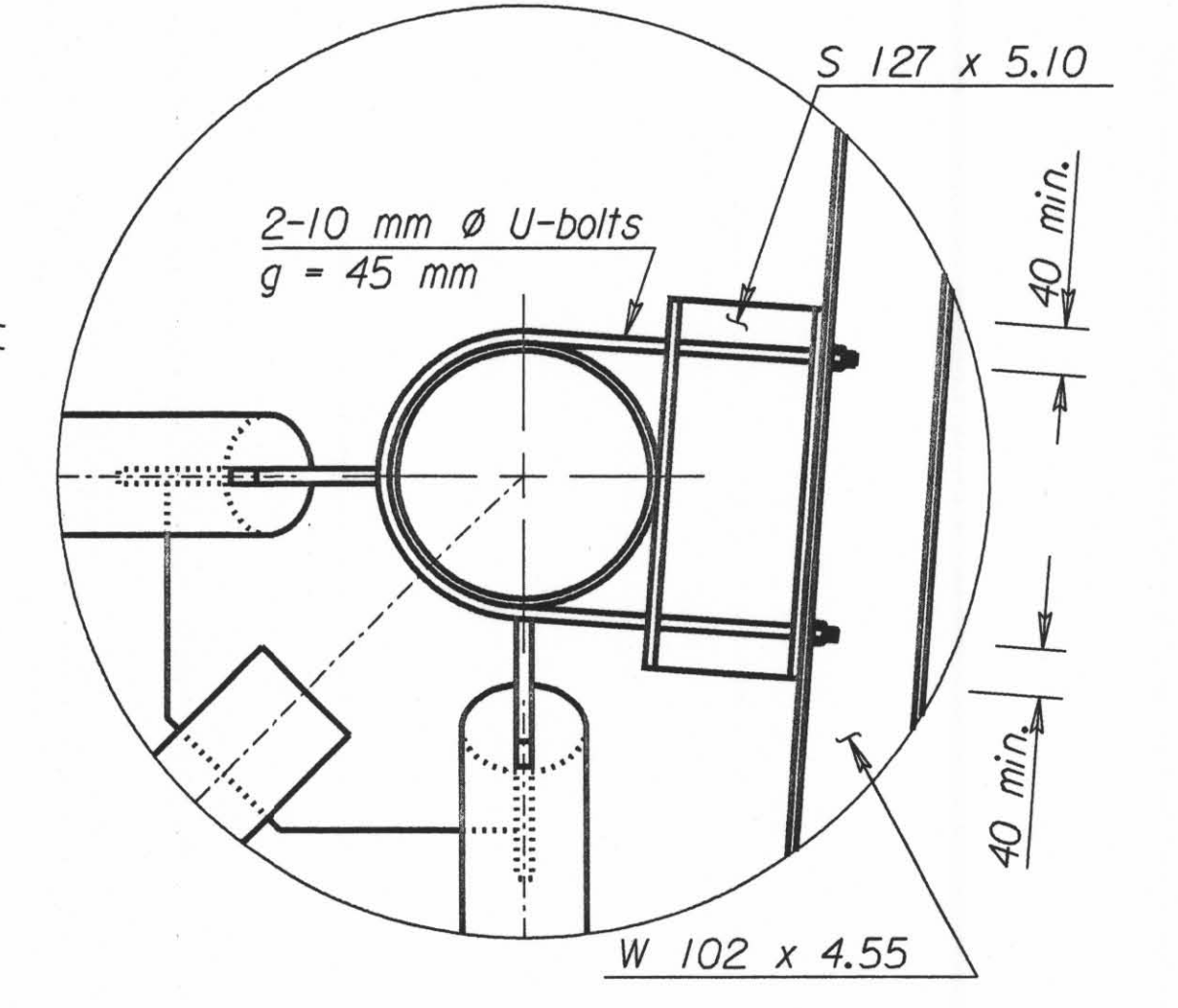
WALKWAY BEAM CONNECTION



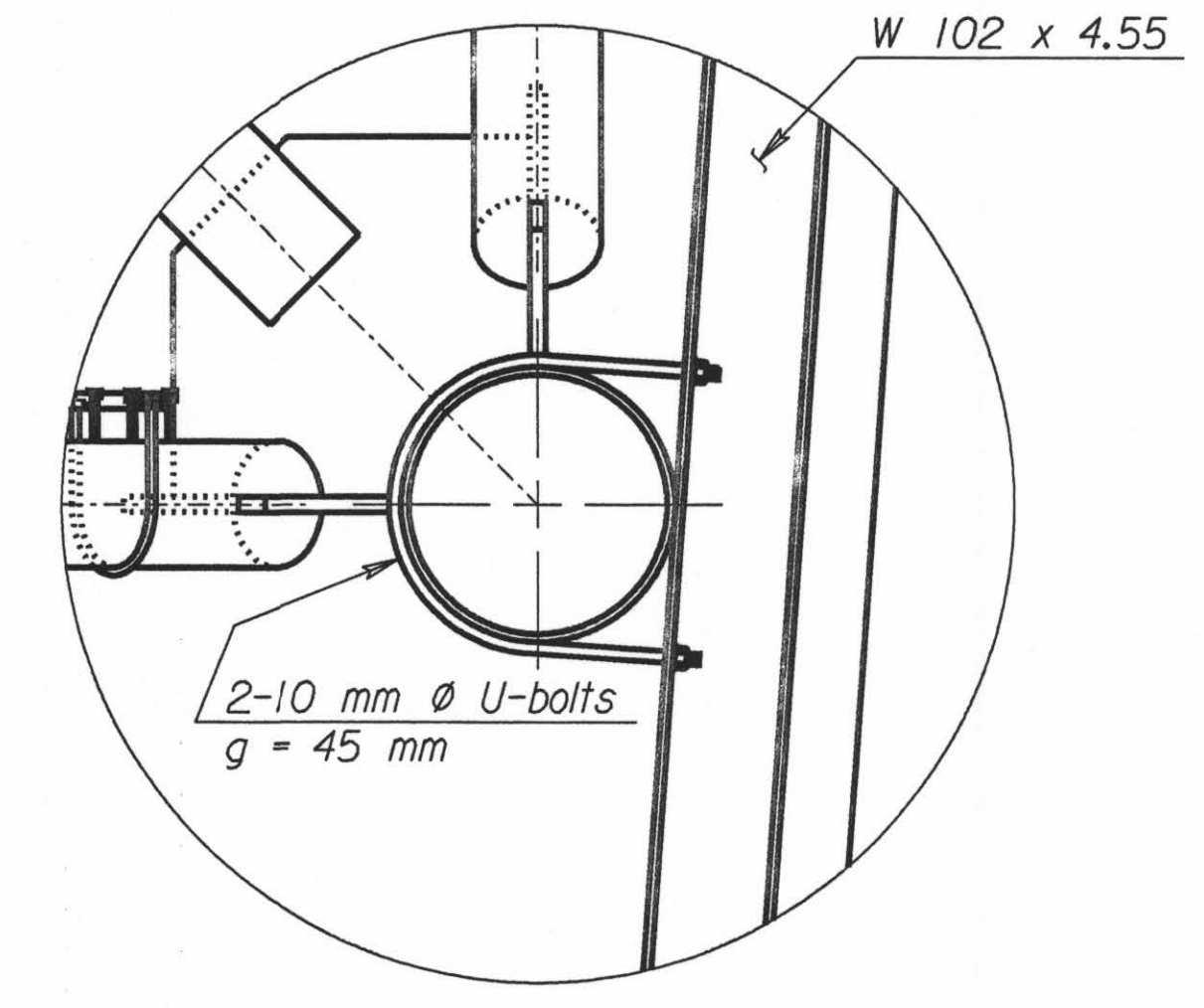
Detail A



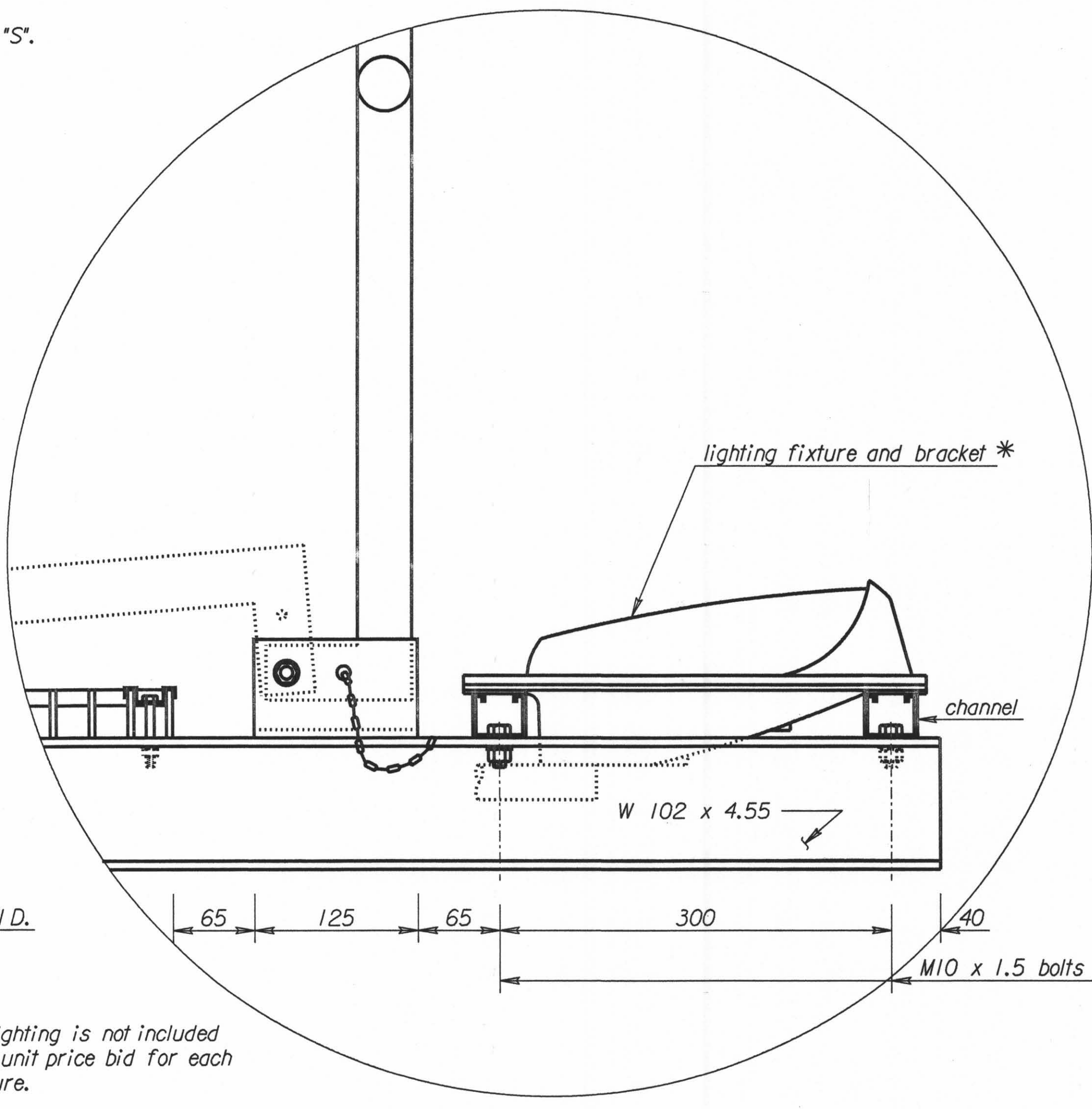
SIGN BEAM CONNECTION



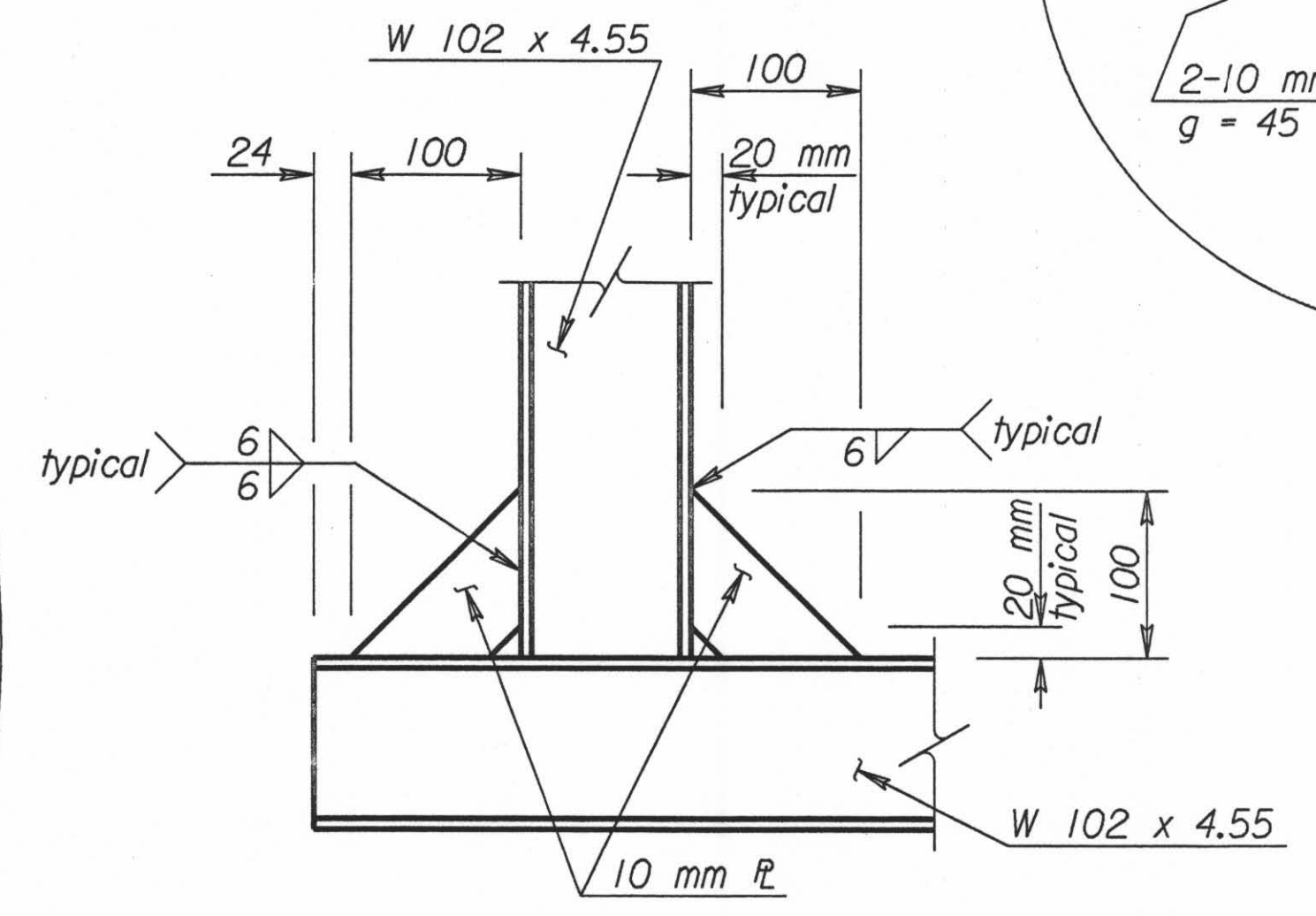
Detail B



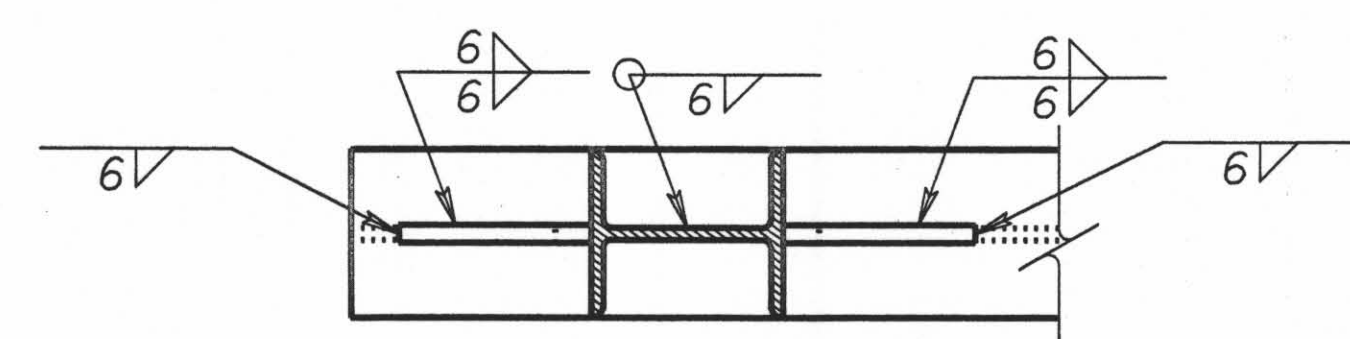
Detail C



Detail D



Elevation



Plan

CONNECTION DETAILS

Std. Base File: sl151bsi.dgn - Plot 10
 Plotted By: \$USER\$
 File: \$\$\$\$
 Plot Date: \$\$\$\$

* Sign lighting is not included in the unit price bid for each structure.

NO.	DATE	REVISIONS	BY	APP'D	
<p>KANSAS DEPARTMENT OF TRANSPORTATION STANDARD STRUCTURAL SIGN SUPPORTS SPAN TYPE OVERHEAD ALUMINUM ALTERNATE SPECIAL SIGN MOUNTING AND WALKWAY DETAILS SL151B-10 SI SEDGWICK CO.</p>					
DESIGNED	LES	DETAILED	ERK	QUANTITIES	CADD
DESIGN CH.	BR	DETAIL CH.	BR	QUANCK.	CADD CH.