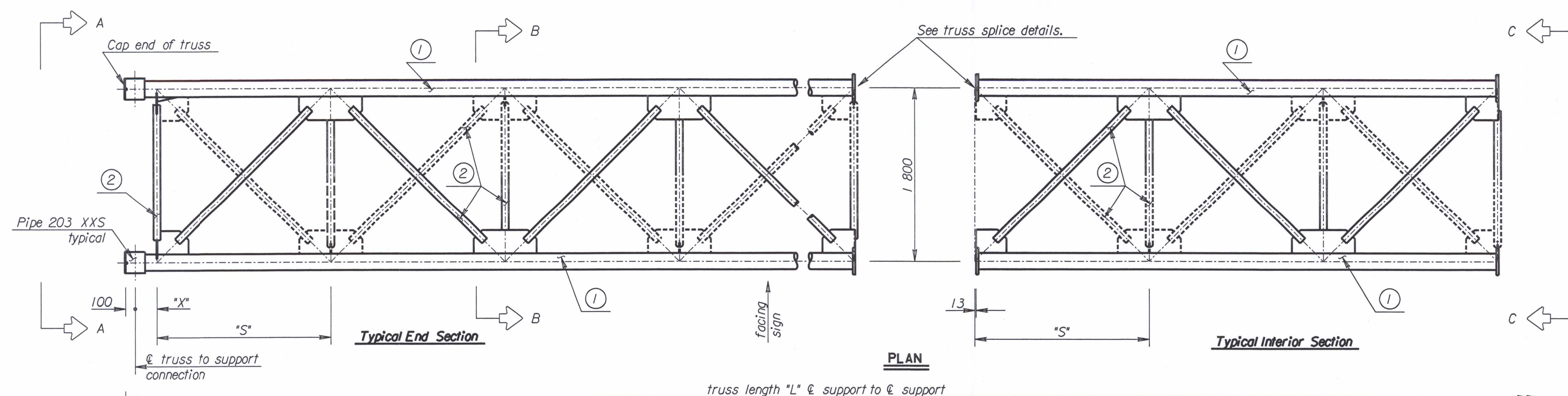
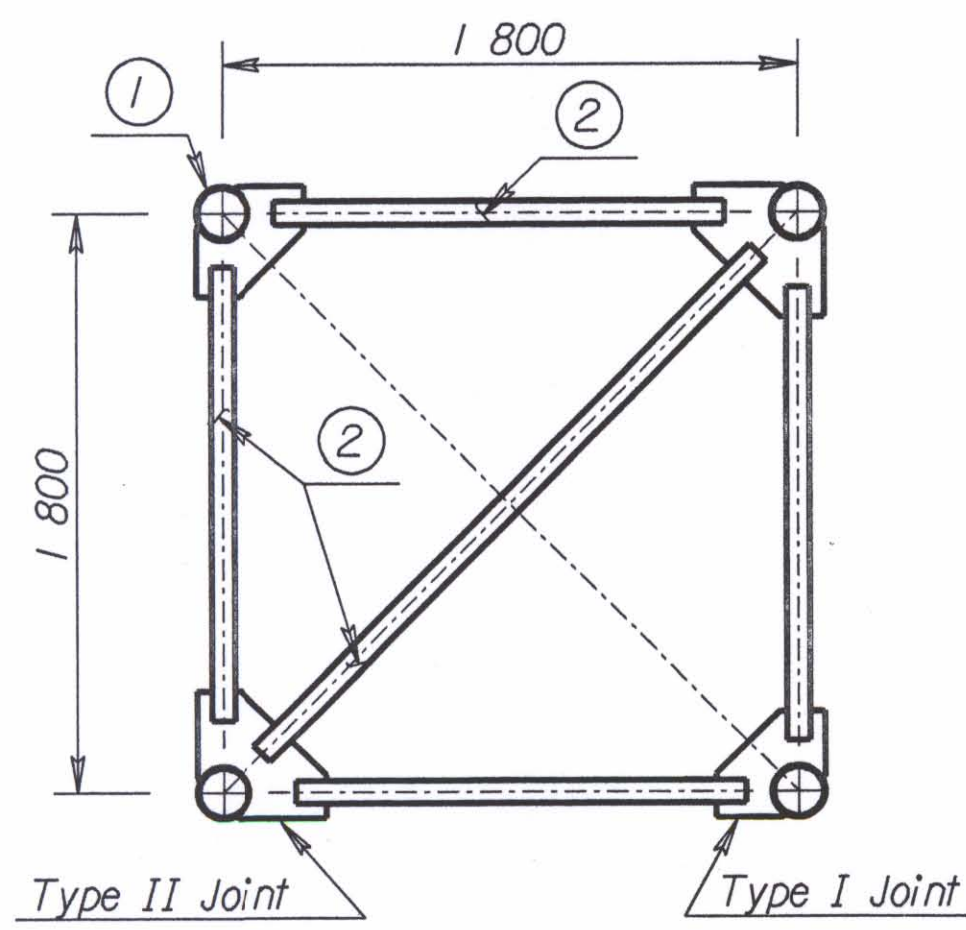
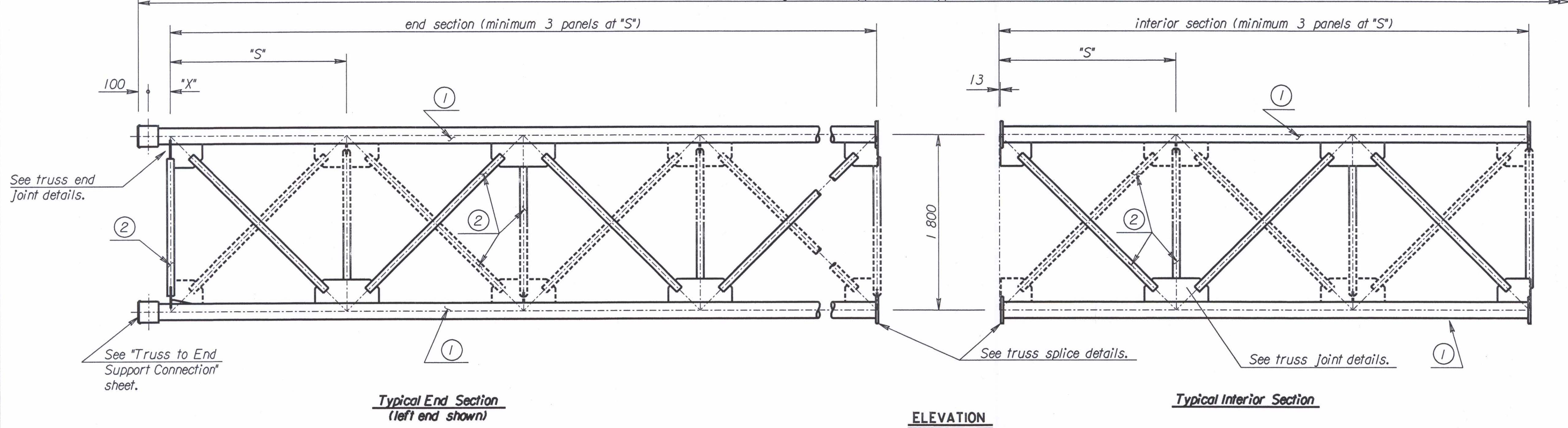


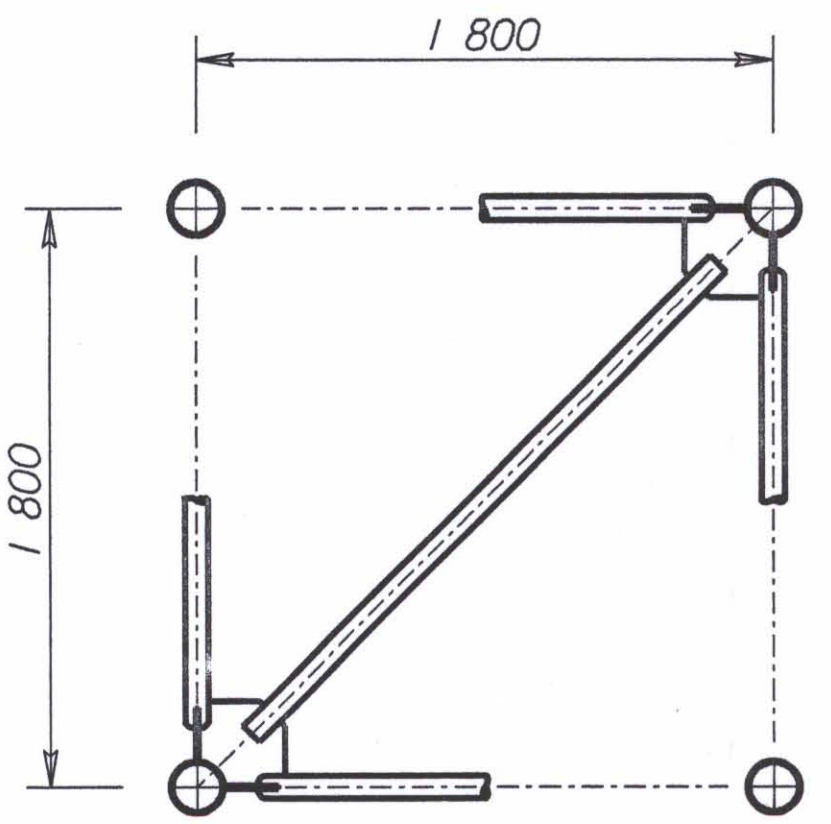
STATE	PROJECT NO.	YEAR	SHEET NO.	TOTAL SHEETS
KANSAS	54-87 K-6657-01	2002	780	1122



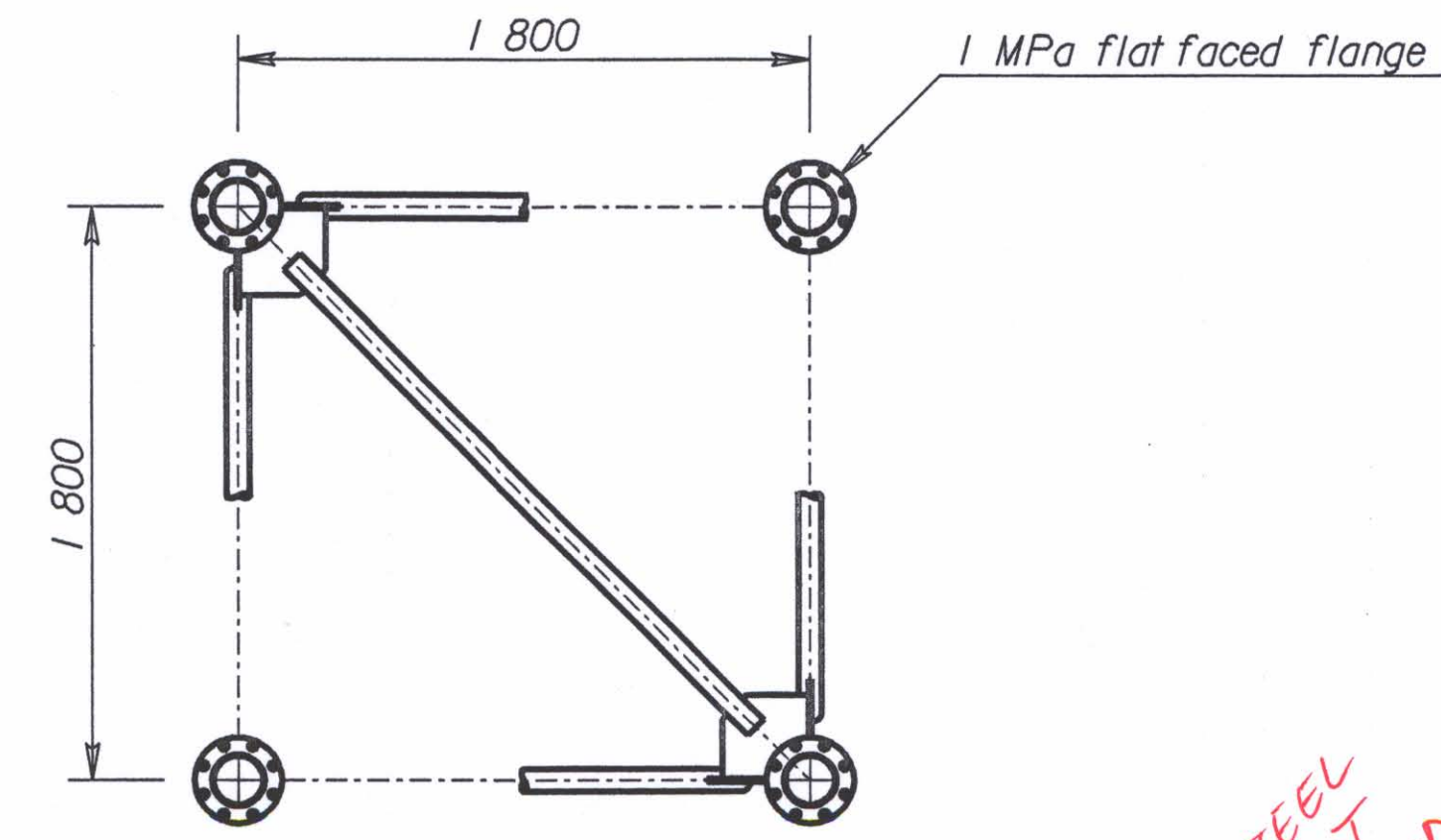
Note: Dashed lines used in plan and elevation views to distinguish bottom or rear portions of member (2).



See truss end joint details.



See truss joint details.



See truss splice details.

Note: See "Construction Layout" for wall thickness, "N", "S", "L" and "X" dimensions.

Member (1) is 168 mm O.D. pipe.

Member (2) is 73 mm O.D. pipe.

Std. Base File: sl151csi.dgn - Plot 3
 Plotted By: \$\$\$USERNAME\$\$\$ | Plot Location: \$UNIT\$
 File: \$\$\$SPEC\$\$\$
 Plot Date: \$\$\$SYTIME\$\$\$

NO.	DATE	REVISIONS	BY	APP'D
KANSAS DEPARTMENT OF TRANSPORTATION STANDARD STRUCTURAL SIGN SUPPORTS SPAN TYPE OVERHEAD STEEL ALTERNATE TRUSS FRAMING PLAN AND DETAILS SL151C-03 SI				
DESIGNED	BEM	DETAILED	KFH	QUANTITIES
DESIGN CK.	RDH	DETAIL CK.	RDH	QUANCK.
				Kenneth F. Hurst CADD LES

STEEL NOT USED.