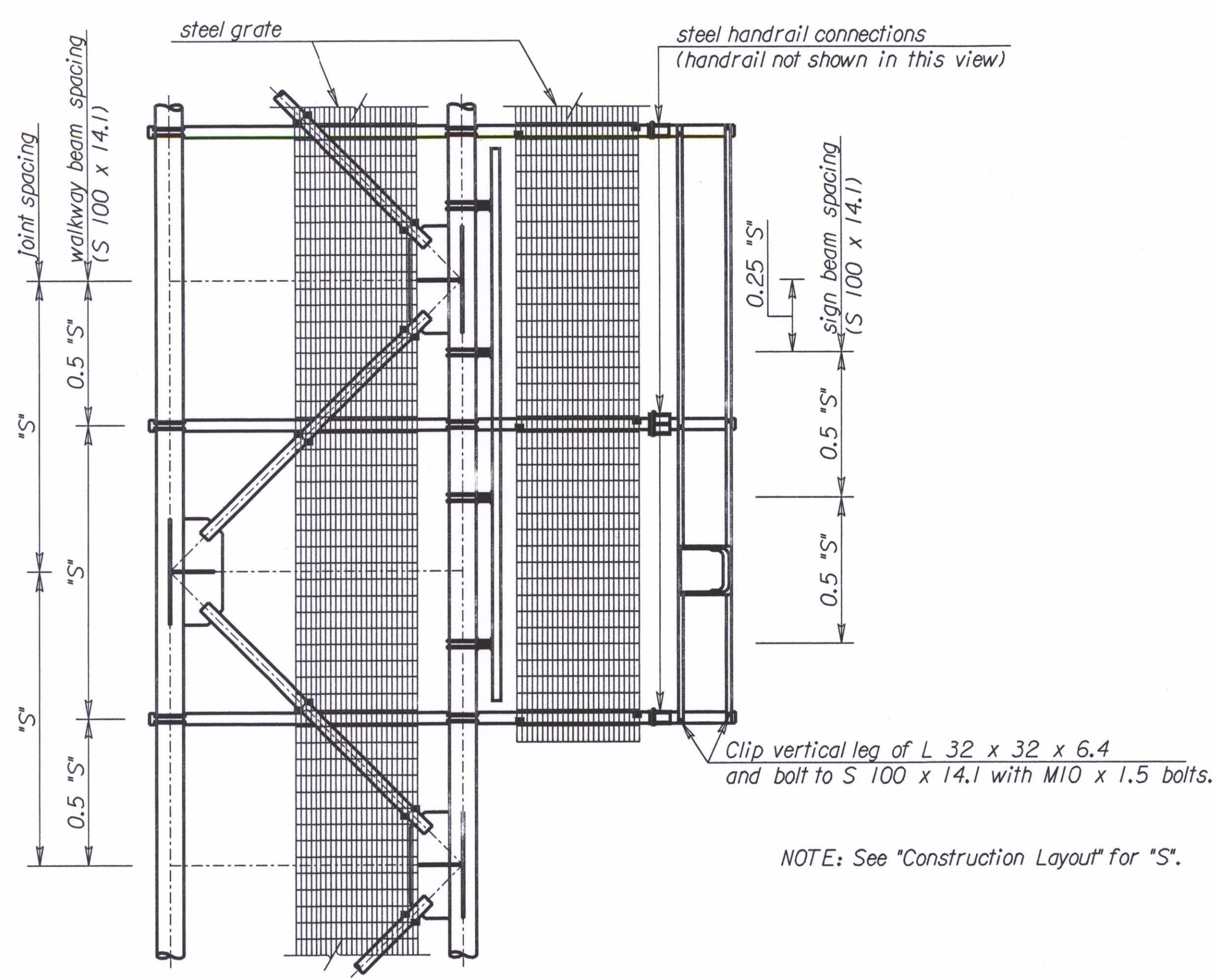
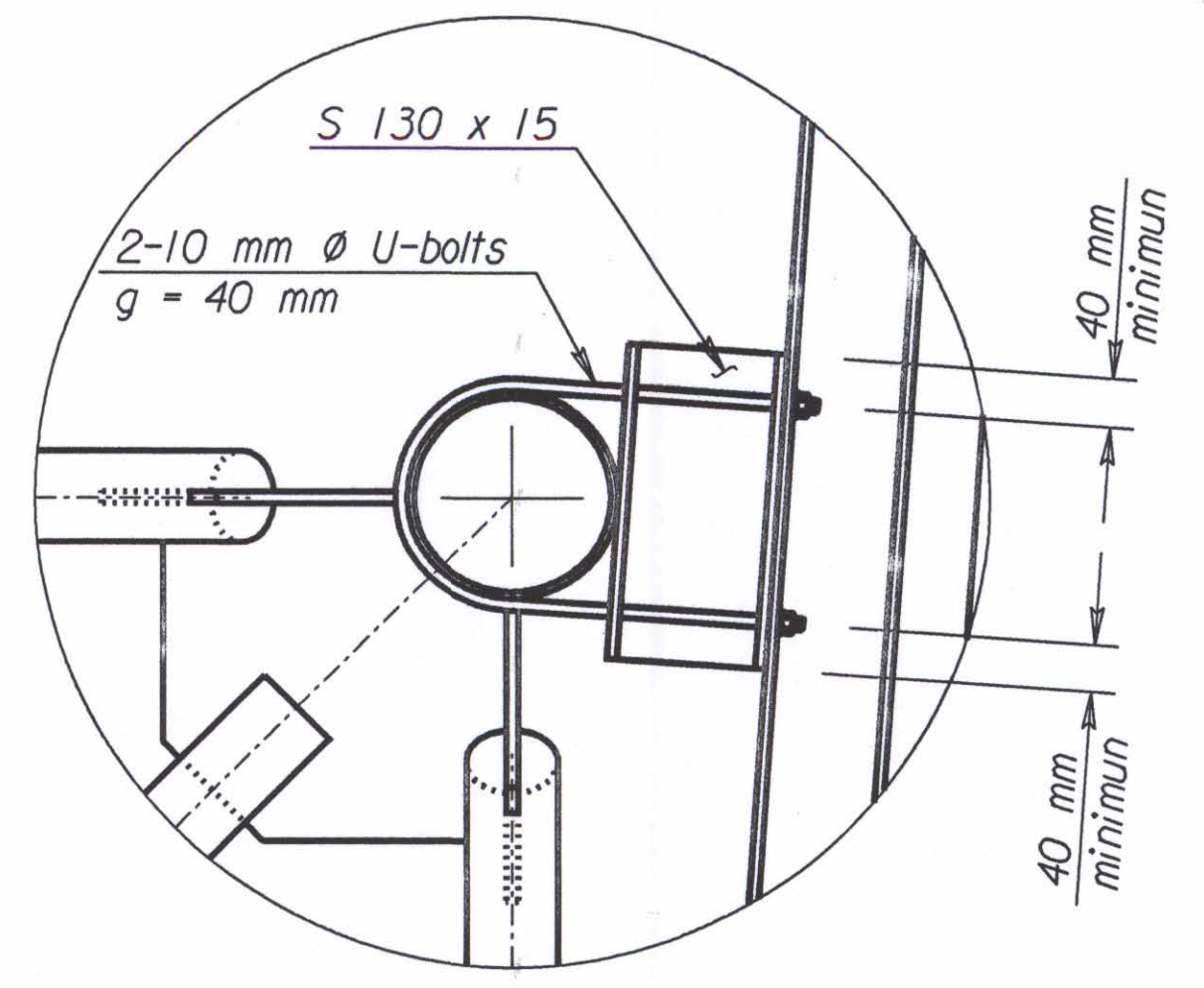


STATE	PROJECT NO.	YEAR	SHEET NO.	TOTAL SHEETS
KANSAS	54-87 K-6657-01	2002	786	1122

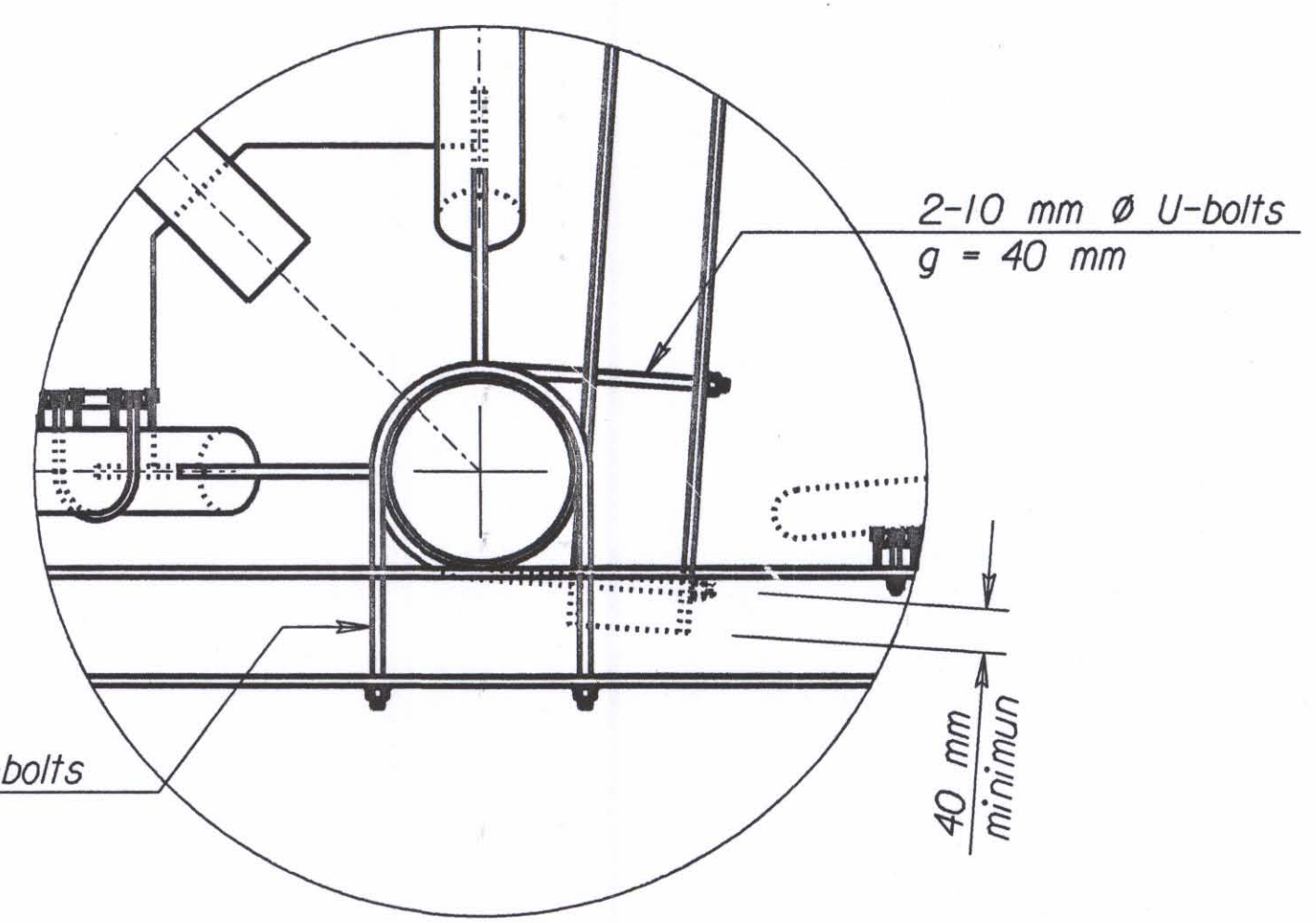


PLAN
(Only lower truss members shown.)

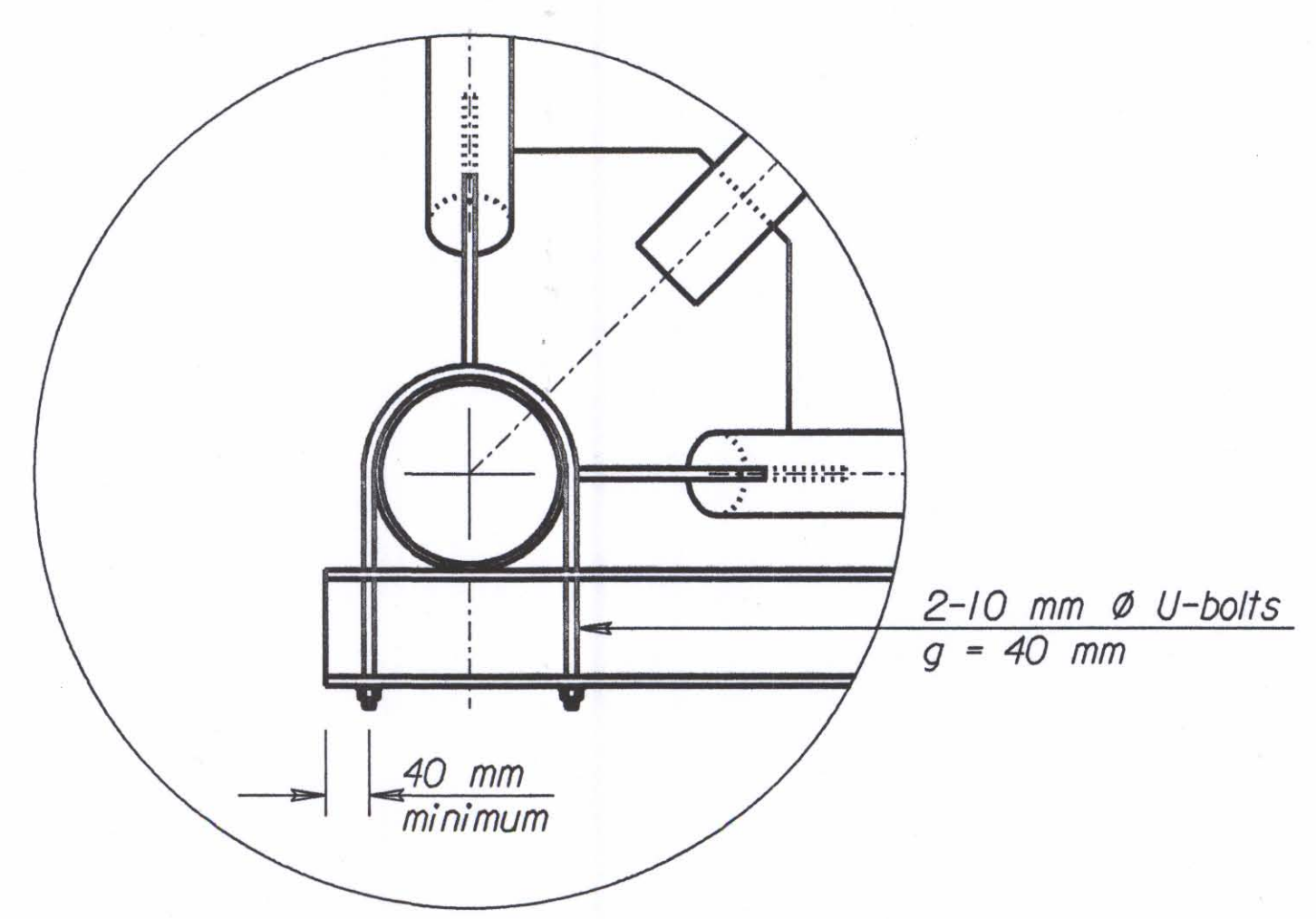
NOTE: See "Construction Layout" for "S".



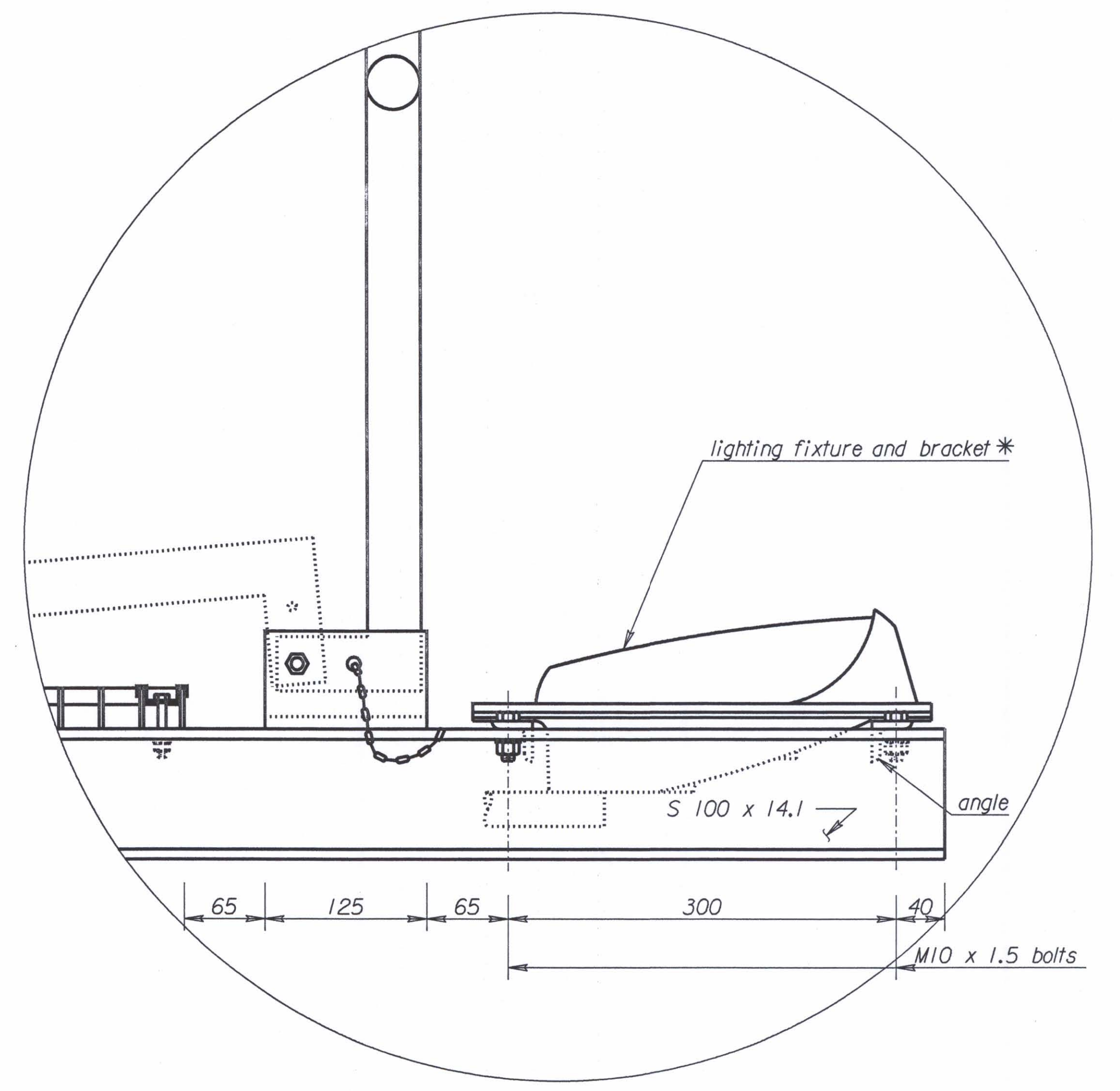
Detail A



Detail B

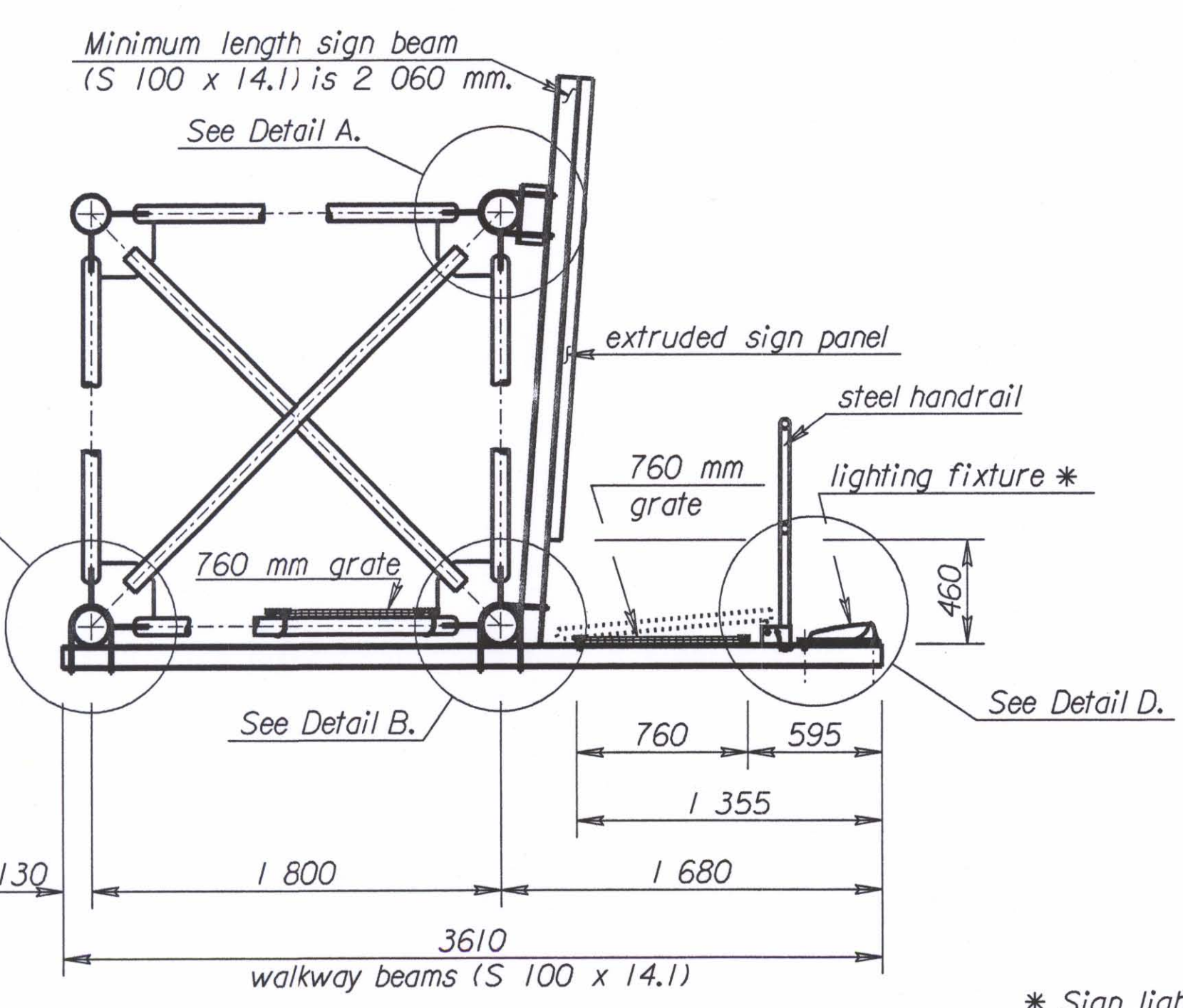


Detail C



Detail D

STEEL NOT USED.



ELEVATION

* Sign lighting is not included
in the unit price bid for each
structure.

Std. Base File: sl151csi.dgn - Plot 9
Plotted By: \$\$\$\$
File: \$\$\$\$
Plot Date: \$\$\$\$

NO.	DATE	REVISIONS	BY	APP'D
KANSAS DEPARTMENT OF TRANSPORTATION STANDARD STRUCTURAL SIGN SUPPORTS SPAN TYPE OVERHEAD STEEL ALTERNATE SIGN MOUNTING AND WALKWAY DETAILS SL151C-09 SI				
DESIGNED		CHECKED		APP'D
DESIGN CR.		DETAIL CR.		QUANTITIES
BFM		KFH		DJE
LEA		LES		LES