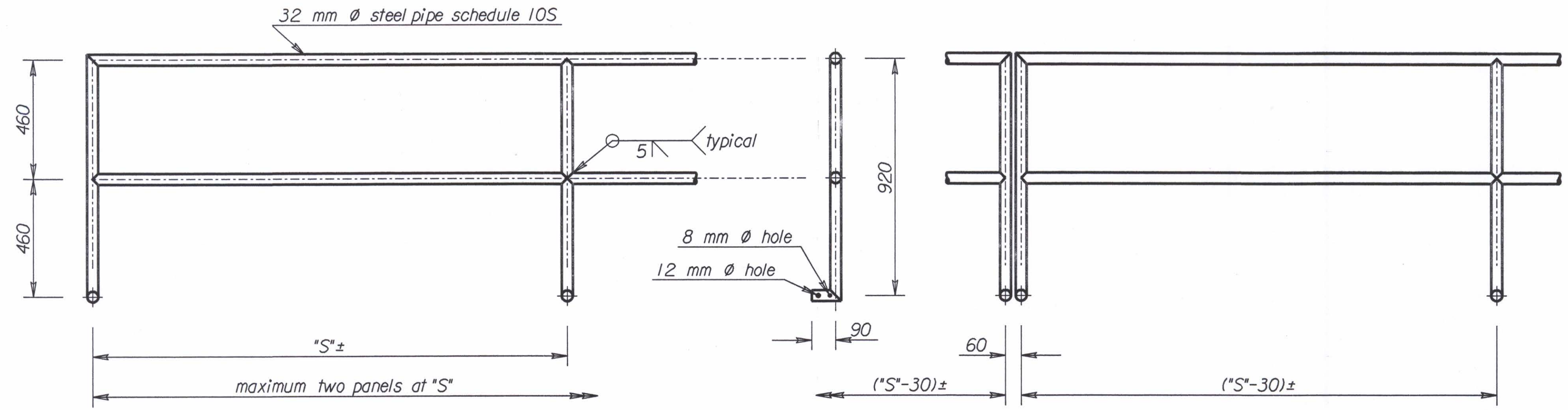
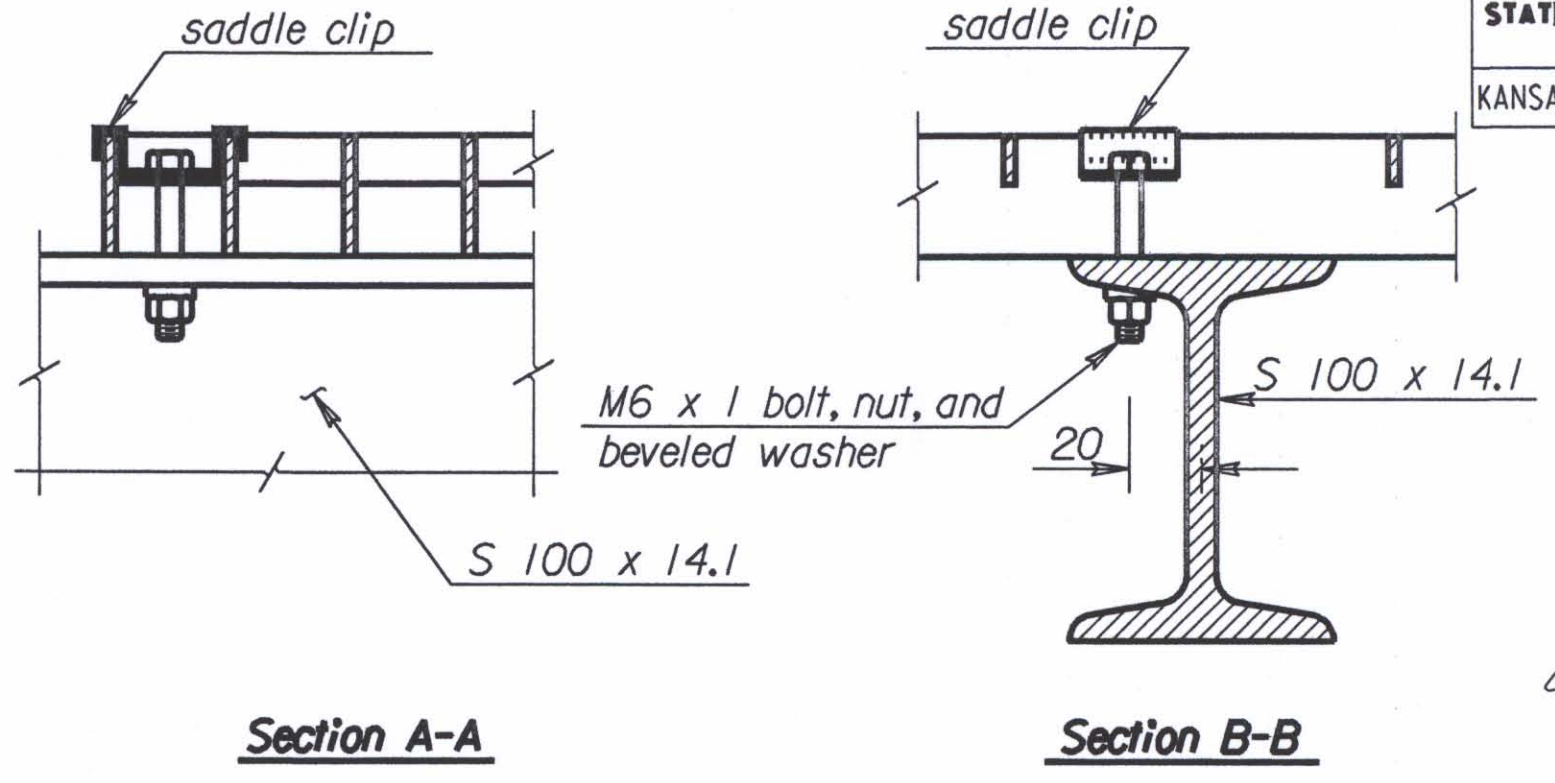


STATE	PROJECT NO.	YEAR	SHEET NO.	TOTAL SHEETS
KANSAS	54-87 K-6657-01	2002	787	1122

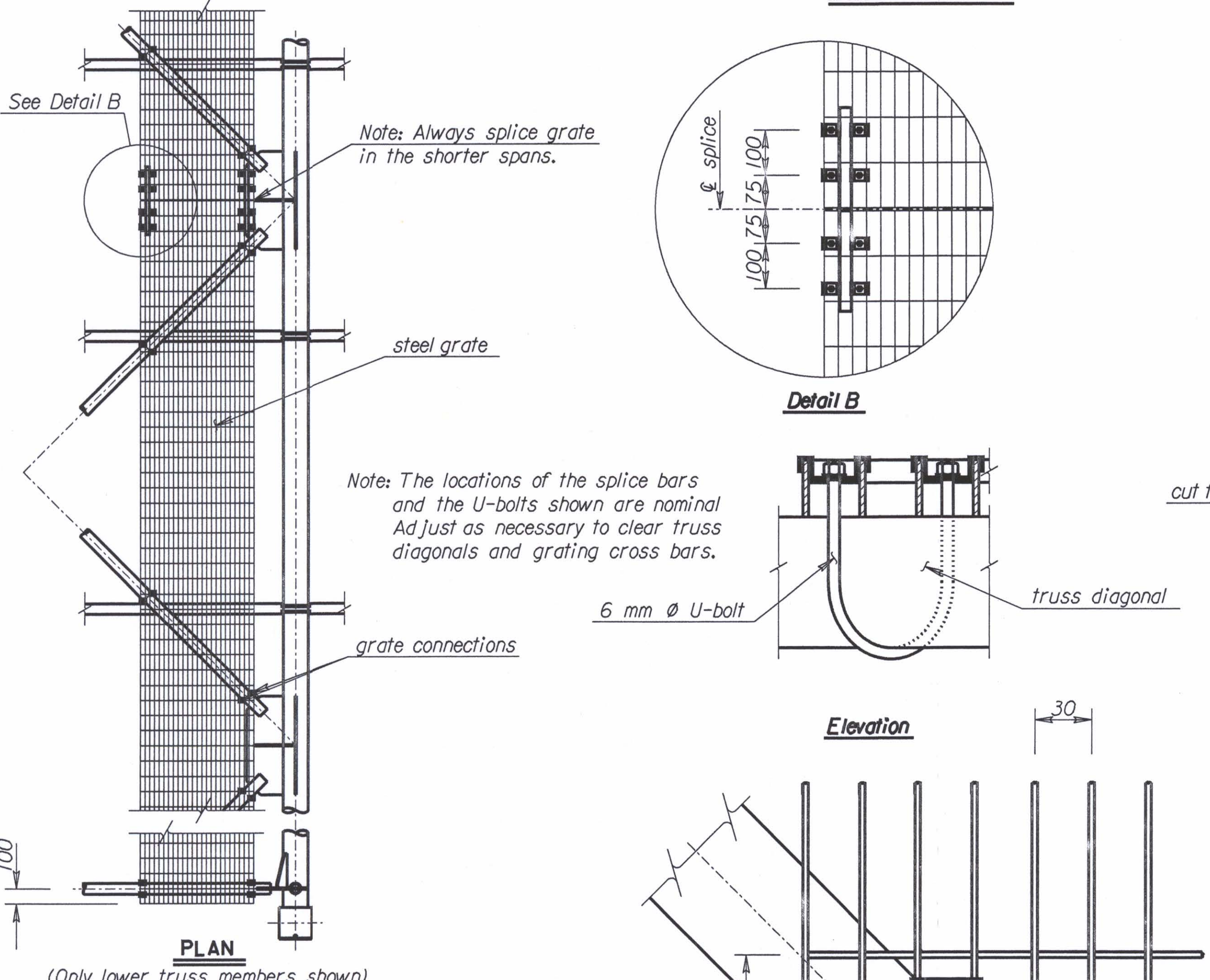


STEEL HANDRAIL

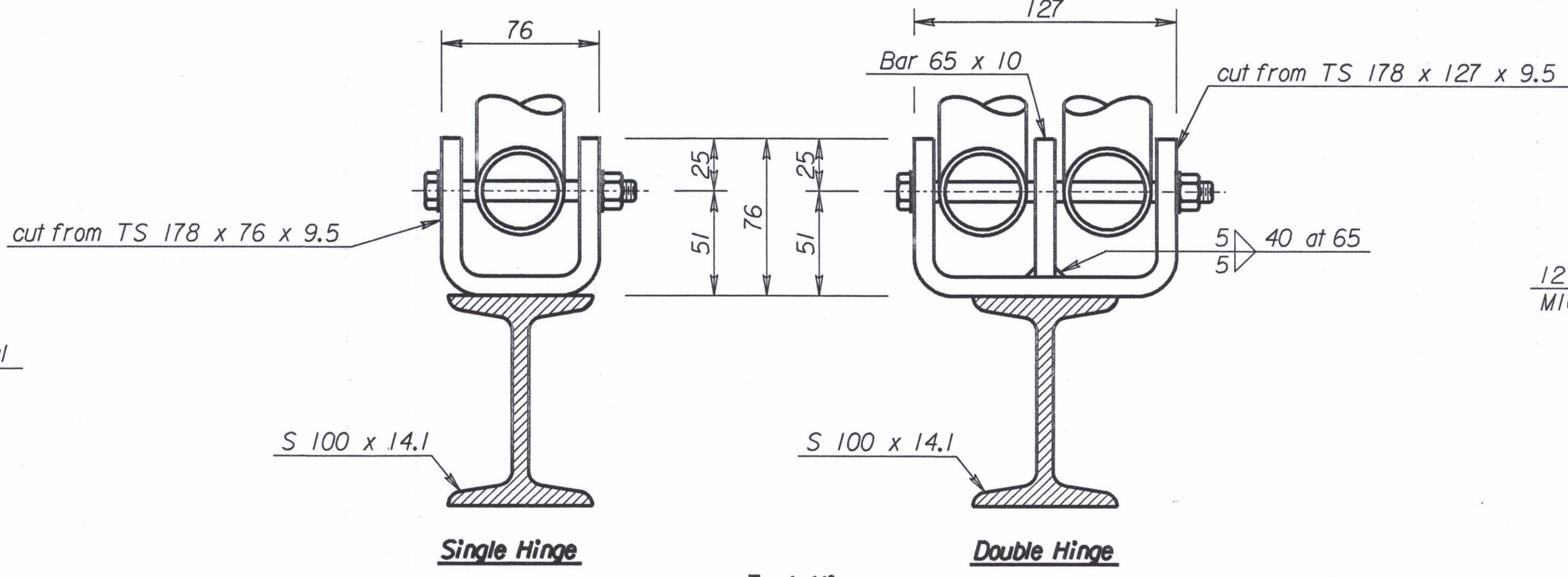


Section A-A

Section B-B

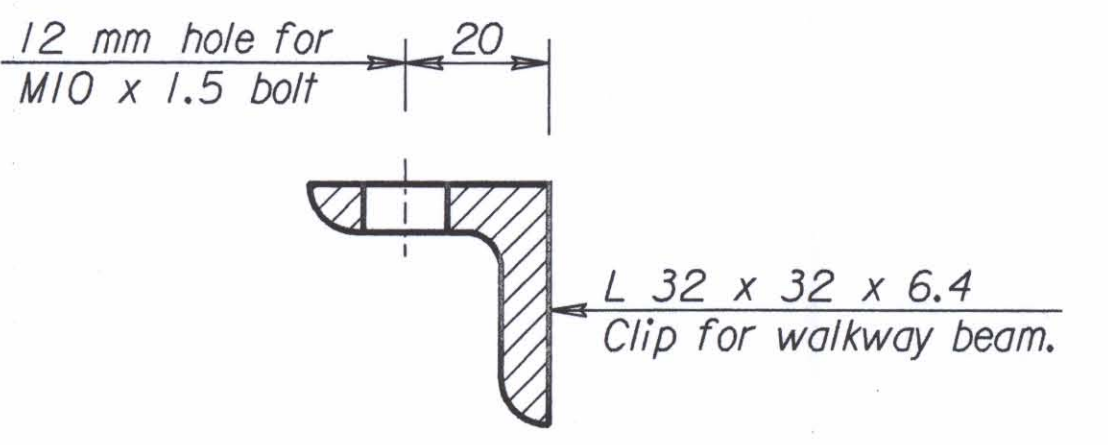


INTERIOR GRATE CONNECTION DETAILS

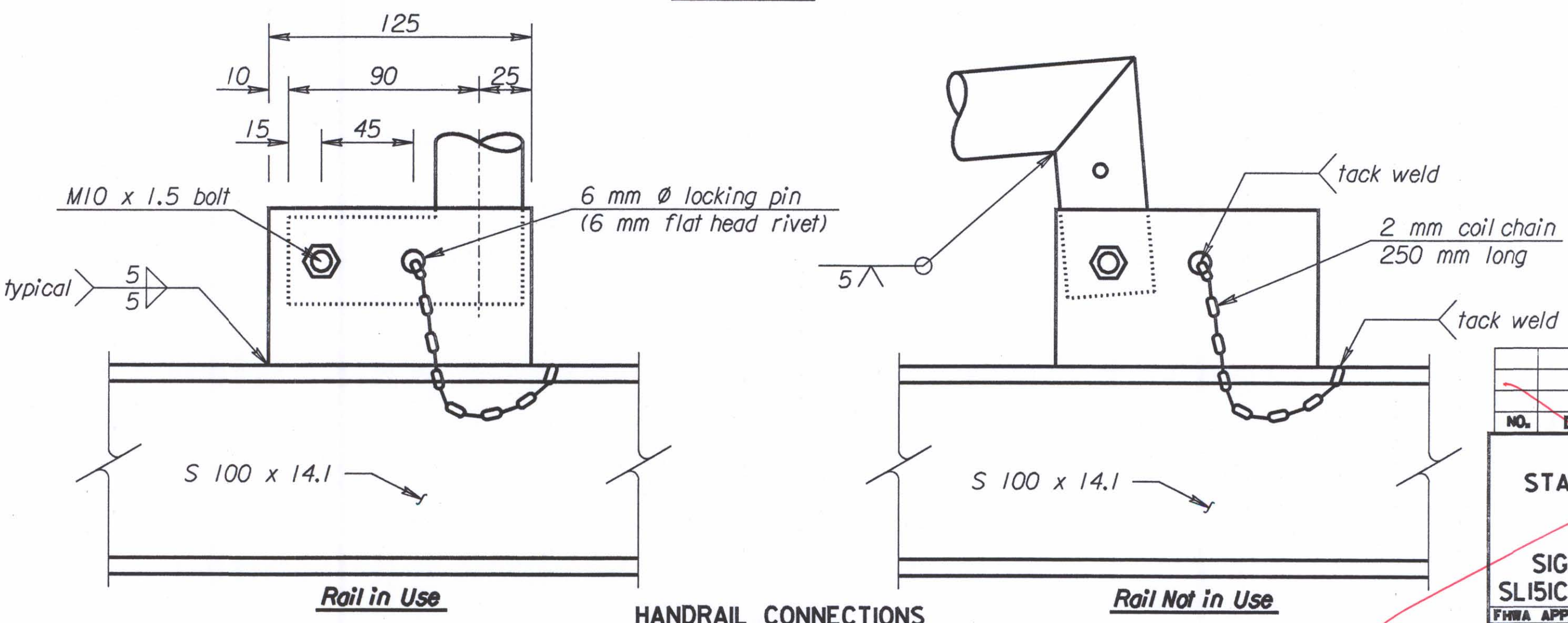


EXTERIOR GRATE CONNECTION DETAILS

End Views



LIGHTING FIXTURE MOUNTING ANGLE



HANDRAIL CONNECTIONS

NO.	DATE	REVISIONS	BY	APP'D
KANSAS DEPARTMENT OF TRANSPORTATION				
STANDARD STRUCTURAL SIGN SUPPORTS				
SPAN TYPE OVERHEAD				
STEEL ALTERNATE				
SIGN MOUNTING AND WALKWAY DETAILS				
SL15IC-10 SI				
				SEDGWICK CO.
DESIGNED	BFM	DETAILED	JD/RD	APP'D
DESIGN CK.	KFH	DETAIL CK.	KFH	QUANTITIES
				CADD
				CADD CK.
				LES

STEEL NOT USED

Std. Base File: sl15(asi).dgn - Plot 10
 Plotted By: \$\$\$USERNAME\$\$\$ Plot Location: \$JUNIT\$
 File: \$\$\$DGN\$\$\$SPEC\$\$\$
 Plot Date: \$\$\$STIME\$\$\$