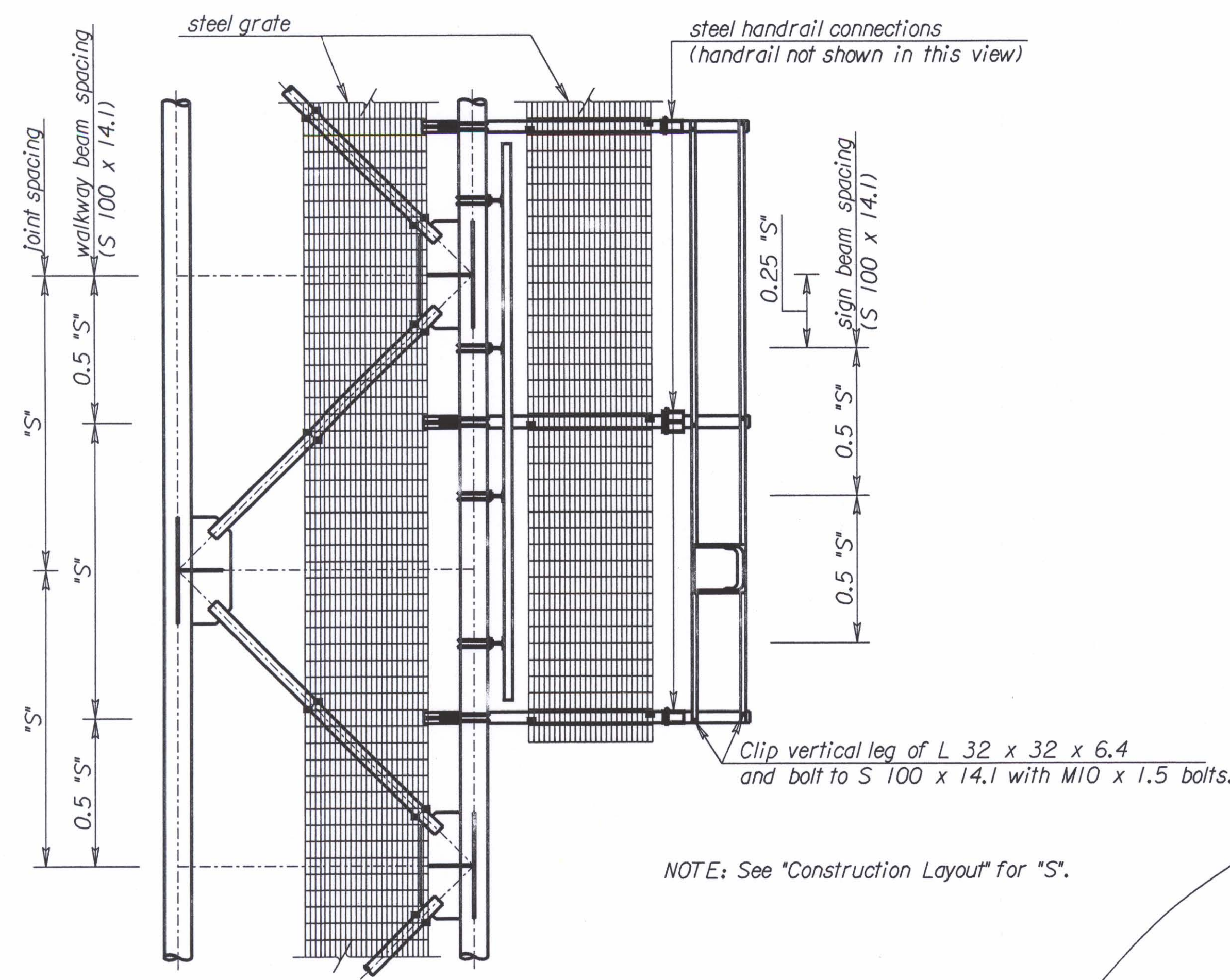
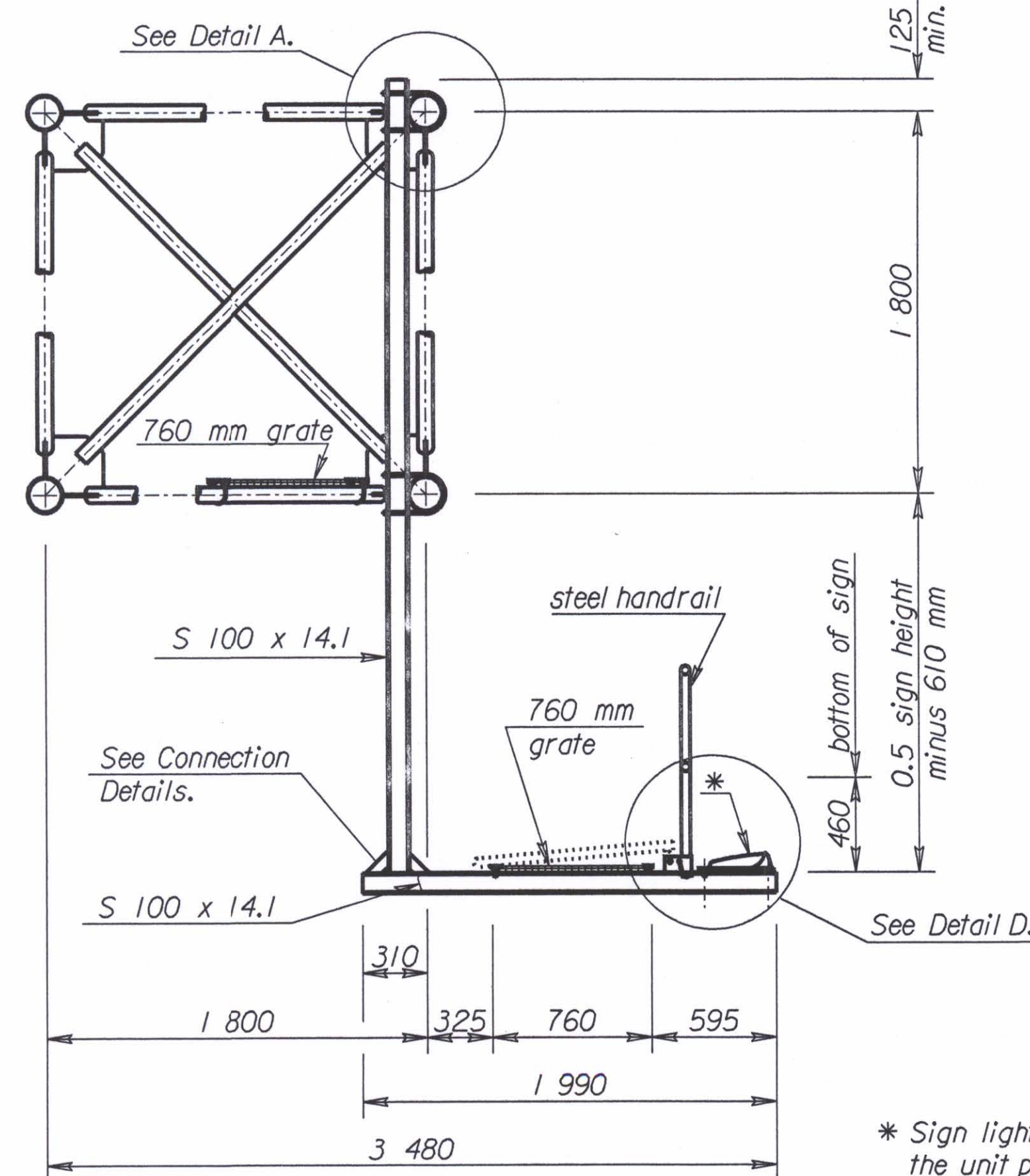


STATE	PROJECT NO.	YEAR	SHEET NO.	TOTAL SHEETS
KANSAS	554-87 K-6657-01	2002	788	1122



**PLAN**

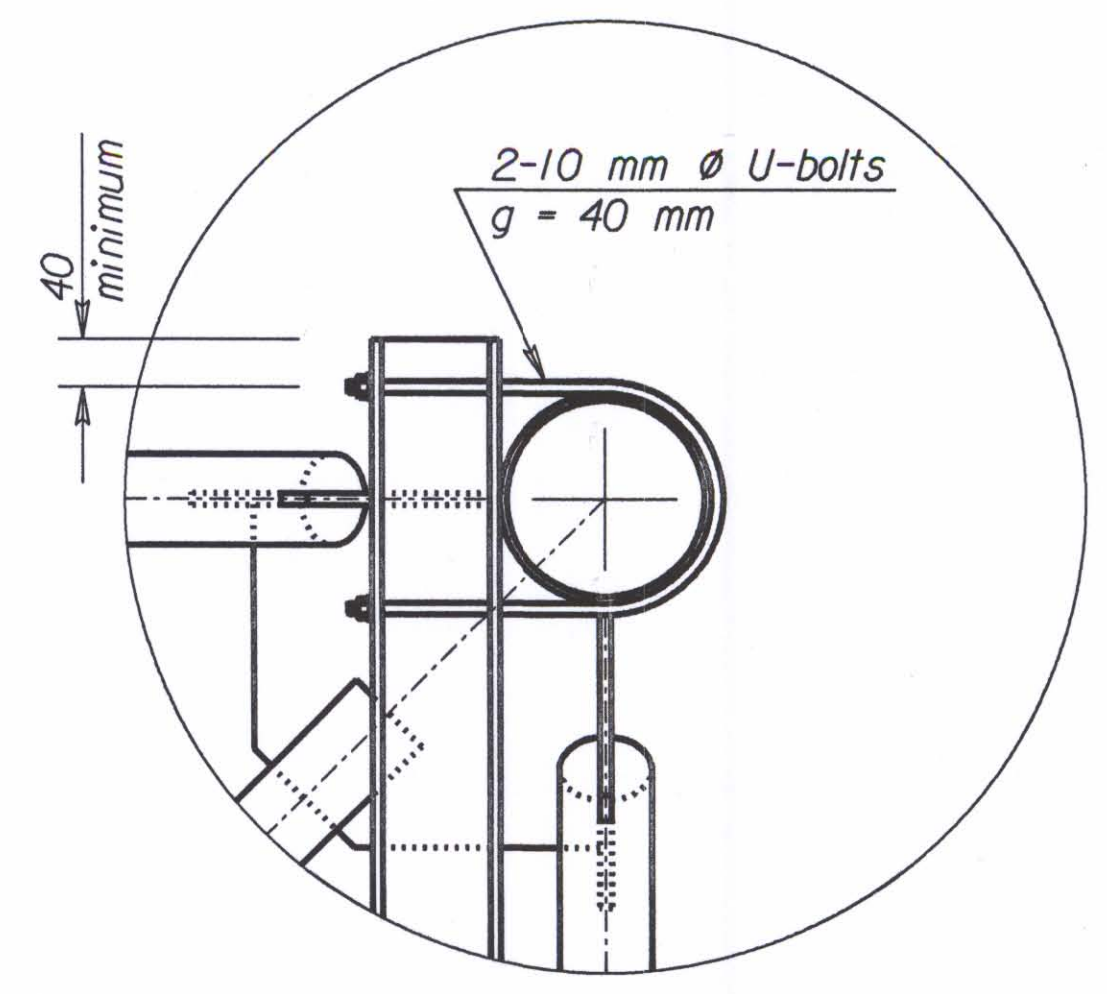
(Only lower truss members shown.)



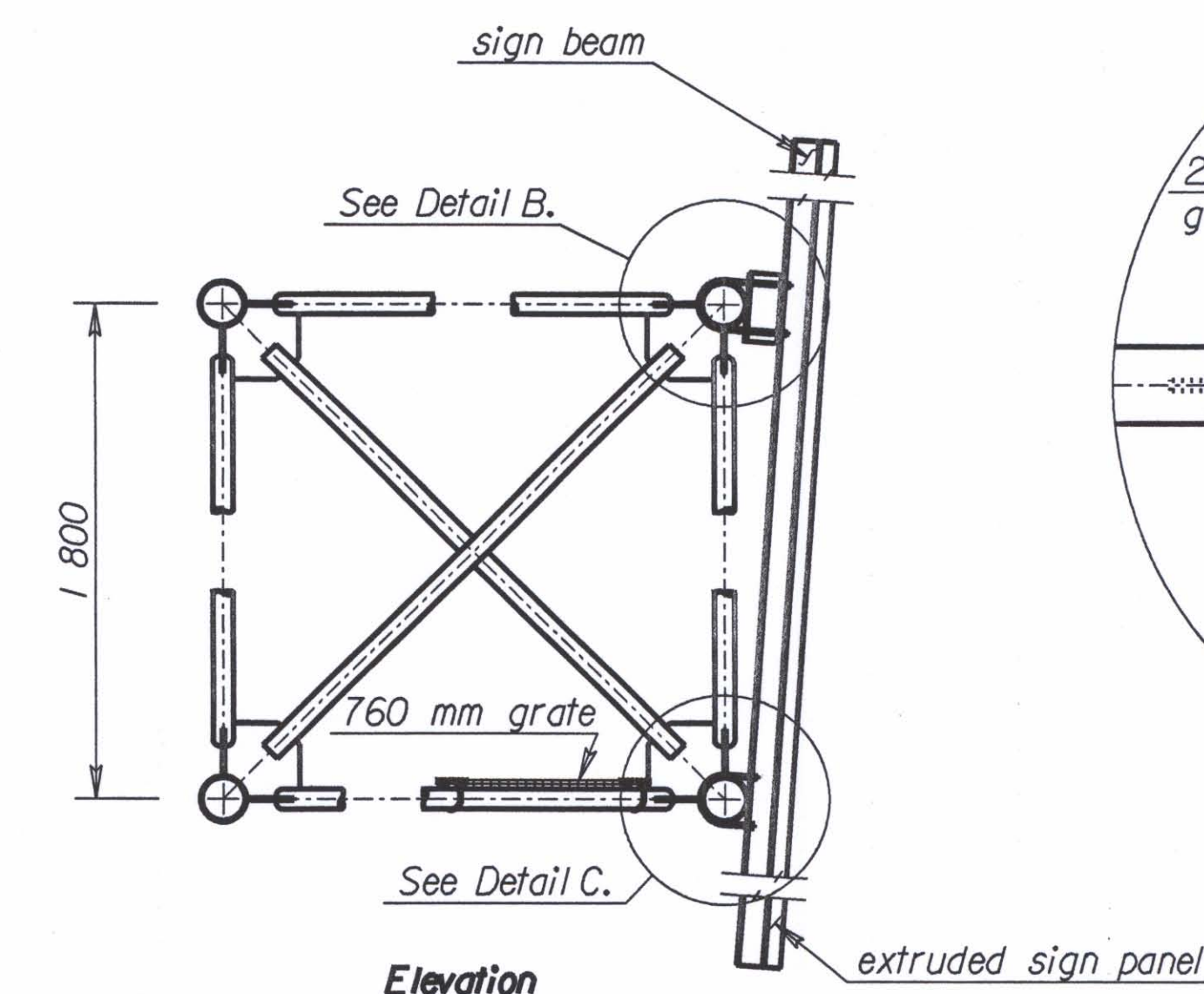
**Elevation**

**WALKWAY BEAM CONNECTION**

\* Sign lighting is not included in the unit price bid for each structure.

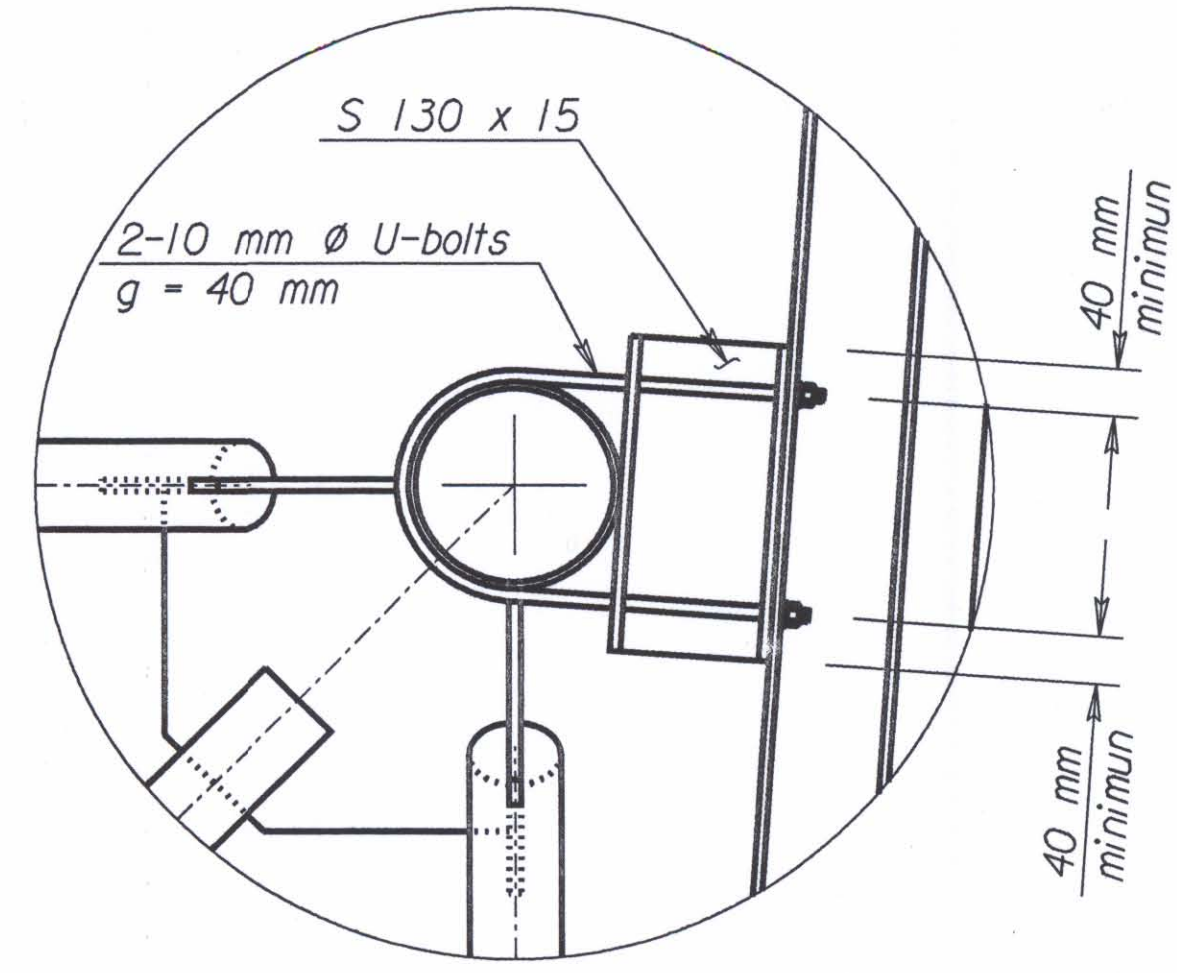


**Detail A**

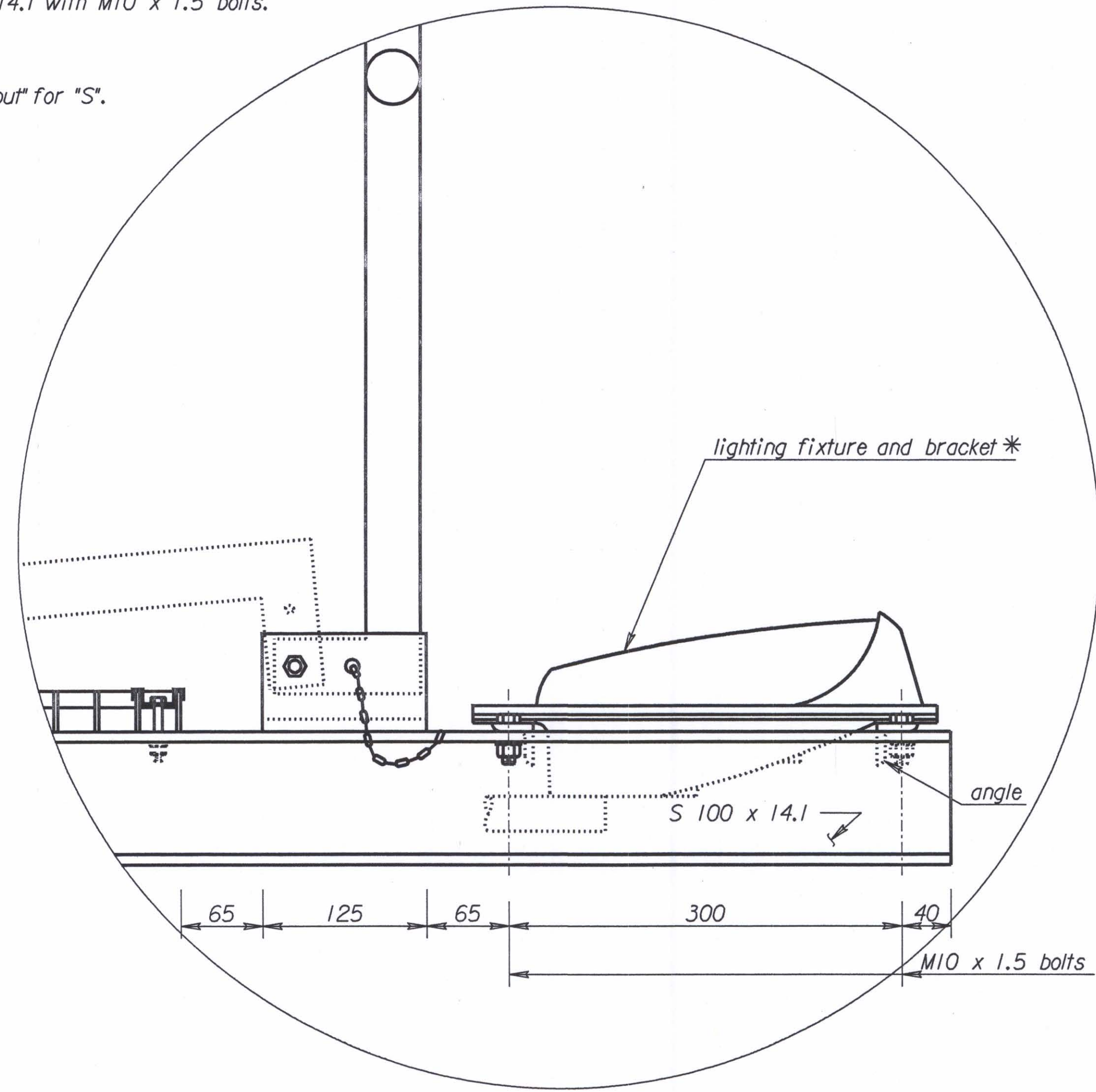


**Elevation**

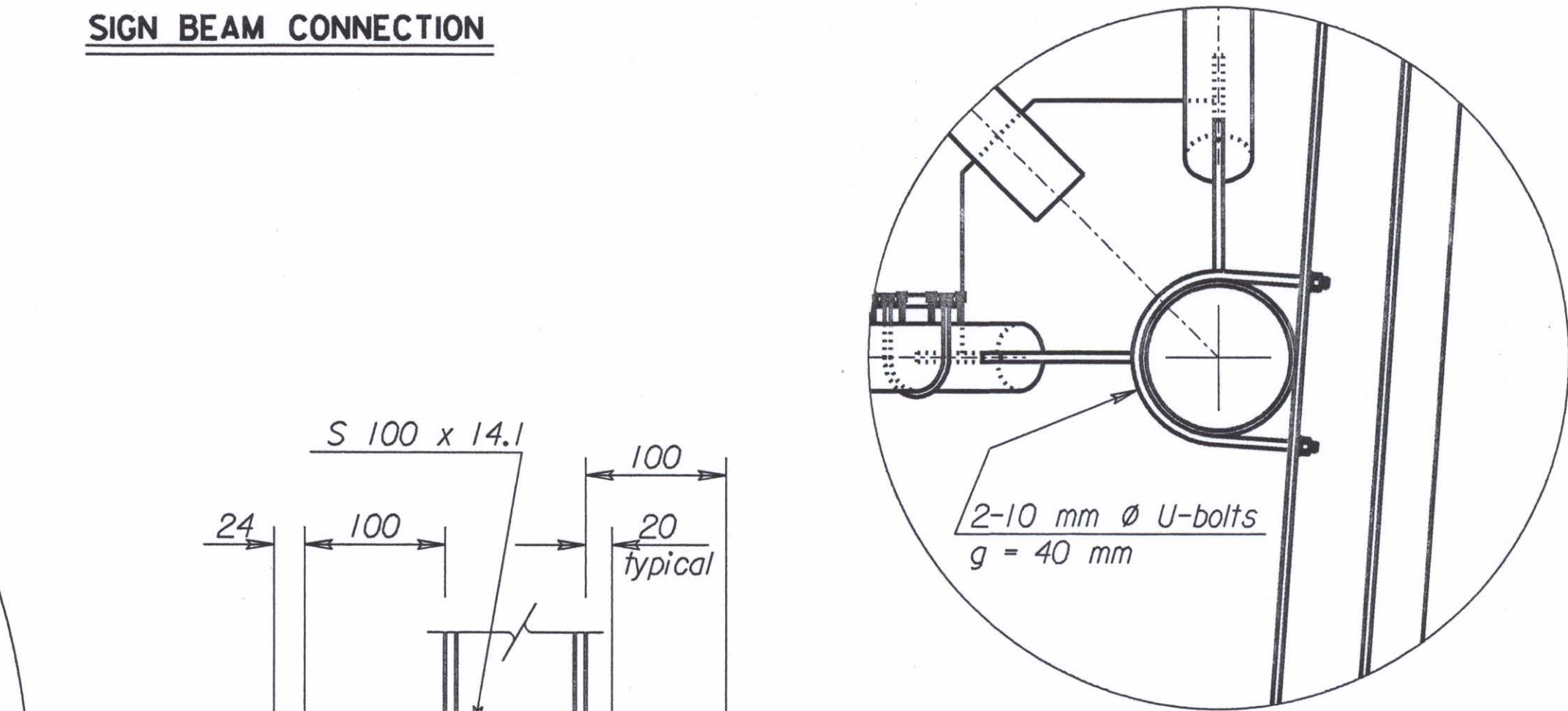
**SIGN BEAM CONNECTION**



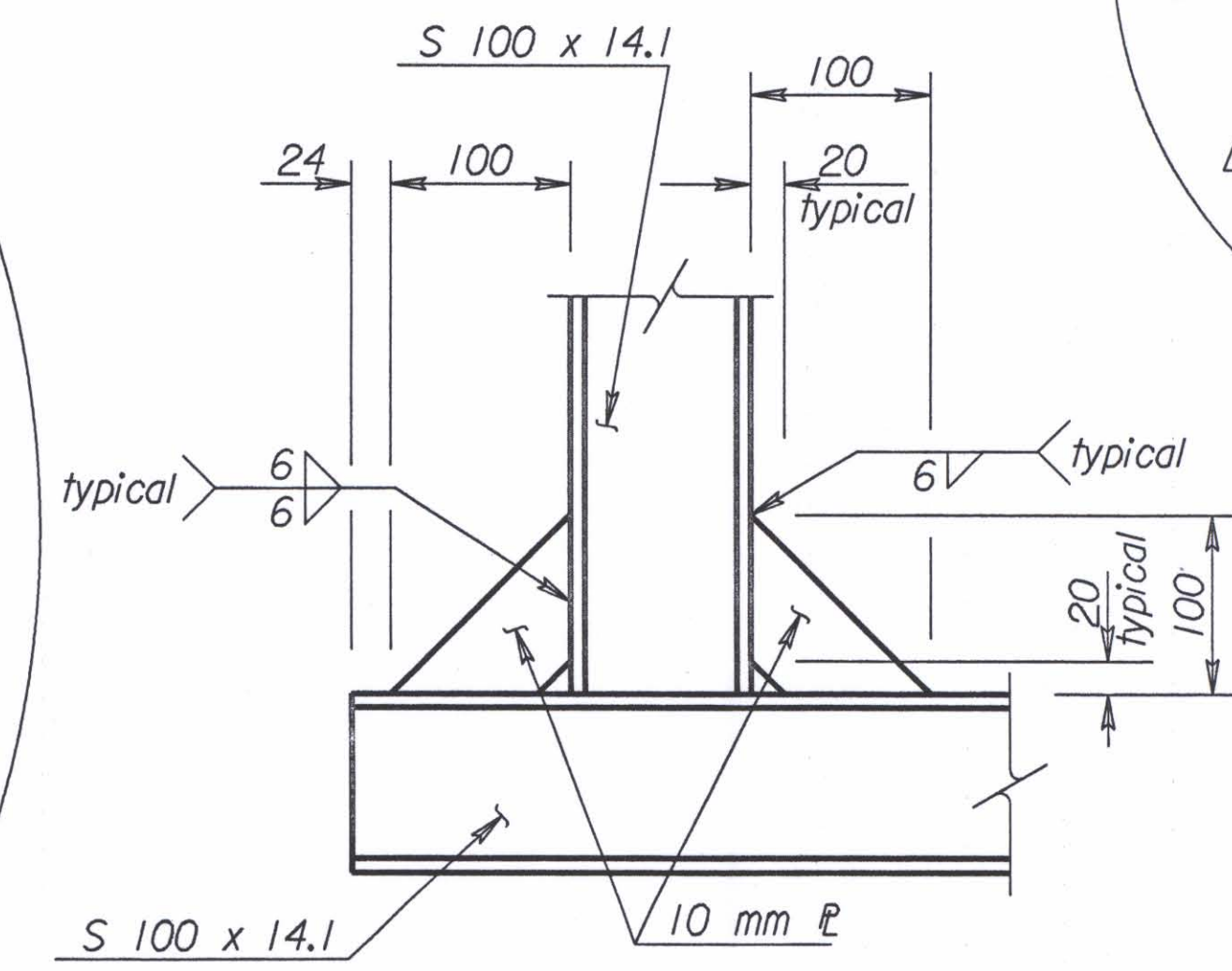
**Detail B**



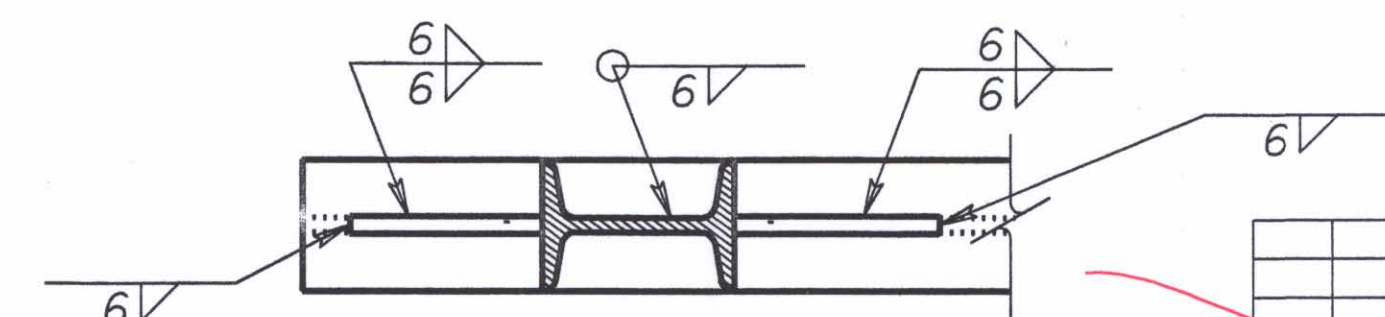
**Detail D**



**Detail C**



**Elevation**



**PLAN**

**CONNECTION DETAILS**

STEEL NOT USED.

Std. Base File: sl151csi.dgn - Plot 11  
 Plotted By: \$USER\$  
 File: \$\$\$\$DGN\$SPEC\$\$\$\$  
 Plot Date: \$\$\$\$TIME\$\$\$\$

NO.	DATE	REVISIONS	BY	APP'D
<b>KANSAS DEPARTMENT OF TRANSPORTATION</b> <b>STANDARD STRUCTURAL SIGN SUPPORTS</b> <b>SPAN TYPE OVERHEAD</b> <b>STEEL ALTERNATE</b> <b>SPECIAL SIGN MOUNTING AND WALKWAY DETAILS</b> <b>SL151C-II SI</b>				
			<b>SEDGWICK CO.</b> Kenneth F. Hurst	
DESIGNED	LES	DETAILED	ERK	QUANTITIES
DESIGN CR.	BR	DETAIL CR.	BR	QUAN. CR.