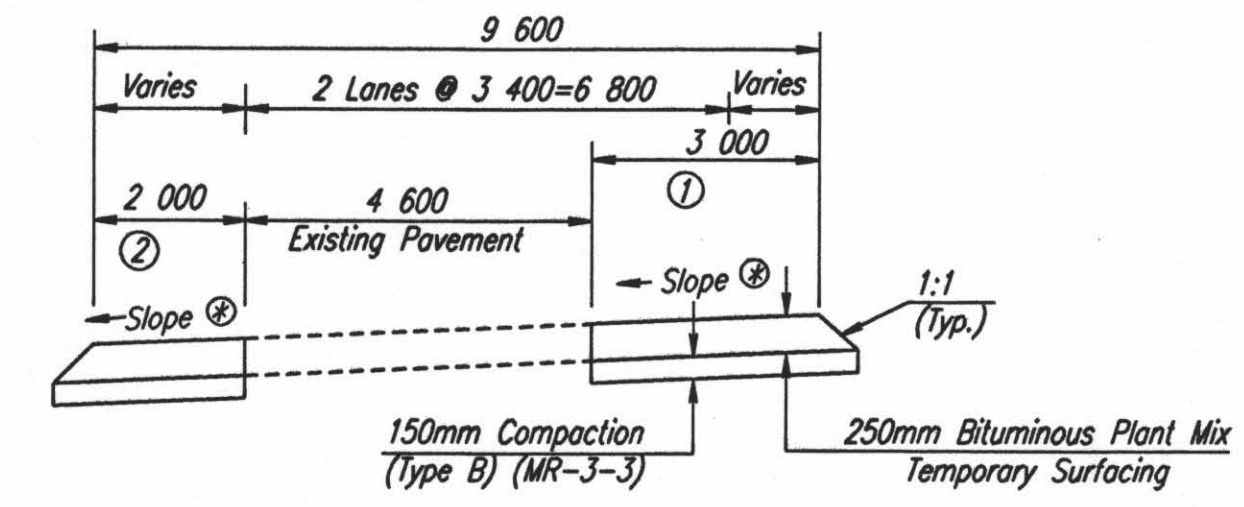
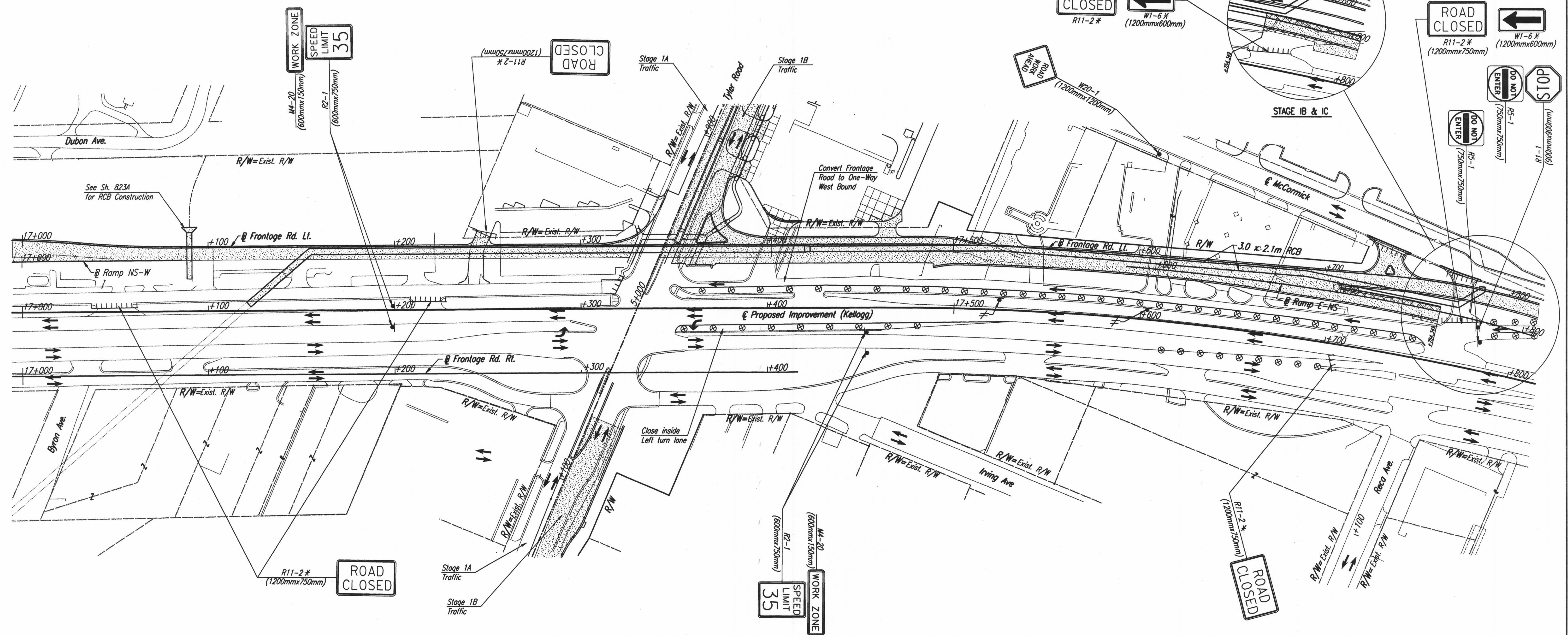


DATE	
BY	
REFERENCES NOTED	
REFERENCES CHECKED	

DSNR: RCH OPER: JGP SCALE: 1:1000
 i:/1997/97362/SEQUENCE/STAGE IA/PL170.DGN 1-08-2002 13:30:56 LAST REV: 3-29-2002 BY: svb

Scale = 1:1000



TYPICAL SECTION - TEMP. WIDENING
 ① Tyler Ramp E-NS Sta. 17+695.7 to Sta. 17+825.0
 ② Tyler Ramp E-NS Sta. 17+740.5 to Sta. 17+782.8
 ③ Match Existing Pavement Slope

See Sh. Nos. 819-822
 for Traffic Control
 on Tyler Rd.
 See Sheet Nos. 837 & 841
 for Temporary Signal.

No.	Revisions	By	Date
CITY OF WICHITA TRAFFIC CONTROL STAGE IA, IB, & IC STA. 17+000 TO STA. 17+800 SEDGWICK COUNTY			
Professional Engineering Consultants, P.A. 303 S. TOPEKA • WICHITA, KANSAS 67202 316-262-2691 • FAX 316-262-3003			
Designed by	RPC, RWM	Checked by	WDH
Drawn by	JGP	Date	April, 2002 Job No. 97362