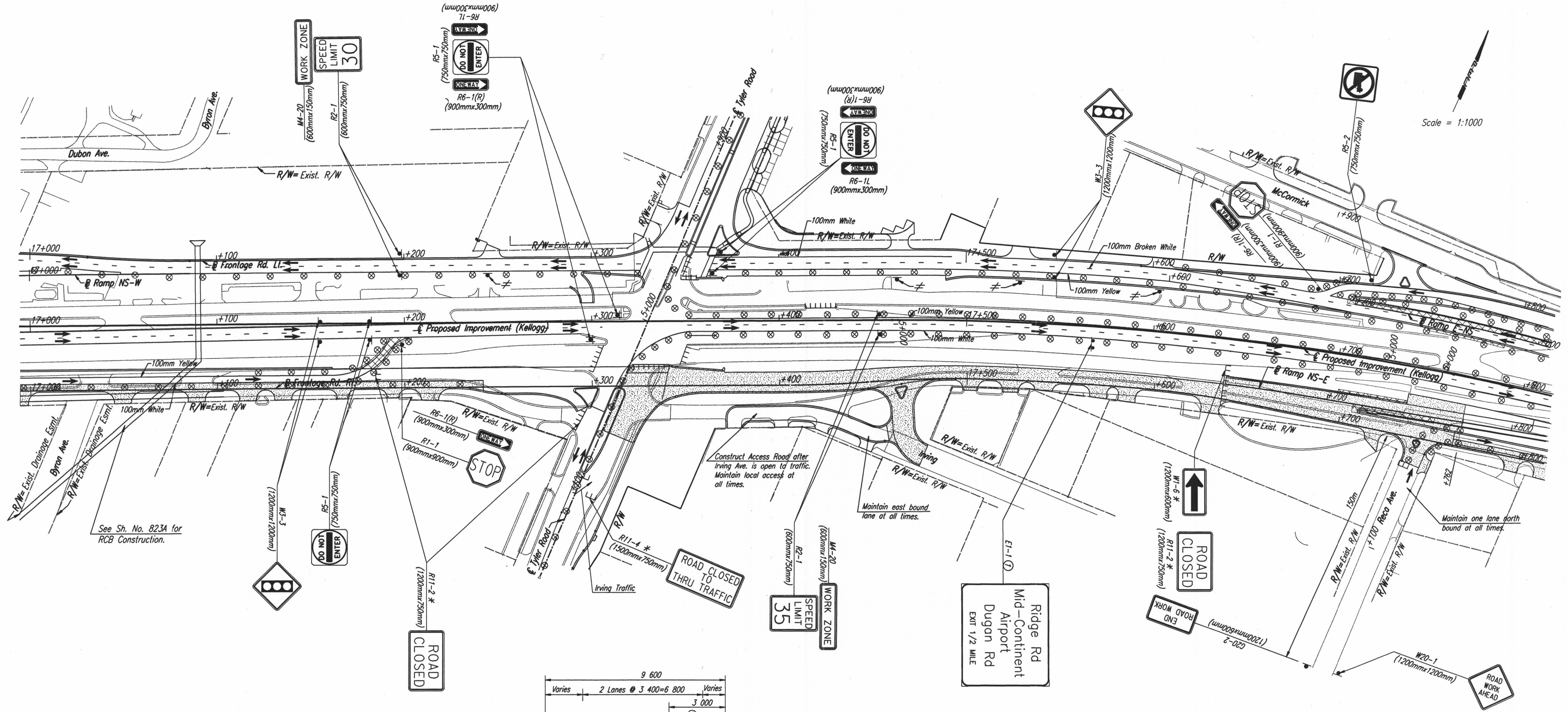


FHWA REGION NO.	STATE	PROJECT NO.	YEAR	SHEET NO.	TOTAL SHEETS
7	KANSAS	54-87 K-6657-01	2002	813	1122

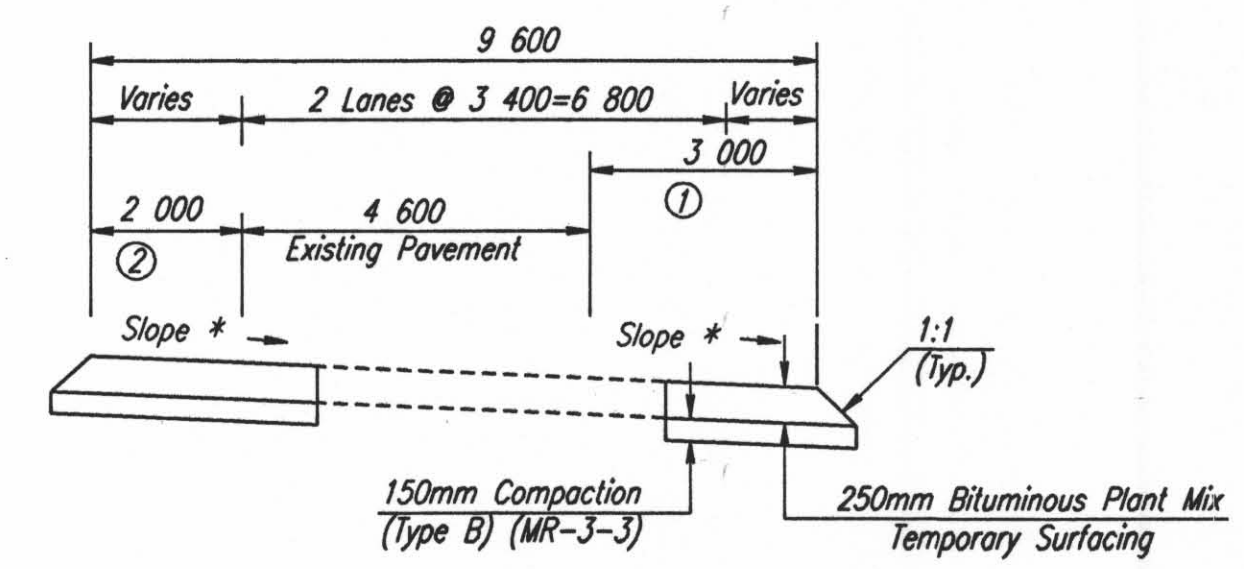
See Sh. Nos. 837 & 842 for Temporary Traffic Signal.
See Sh. Nos. 815-818 for Traffic Control on Tyler Rd.

DATE	
BY	
REFERENCES NOTED	
REFERENCES CHECKED	

DSNR: OPER: JGP SCALE: 1:1000
 1-18-2002 14:56:19 LAST REV: 3-29-2002 BY: svb
 I:/1997/97362/SEQUENCE/STAGE 2B/PL170.DGN



Scale = 1:1000



TYPICAL SECTION - TEMP. WIDENING
 ① Tyler Ramp NS-E Sta. 17+714.2 to Sta. 17+758.5
 ② Tyler Ramp NS-E Sta. 17+705.2 to Sta. 17+742.6
 * Match Existing Pavement Slope

① May use existing sign relocated from Sta. 17+460.

No.	Revisions	By	Date

CITY OF WICHITA
TRAFFIC CONTROL
STAGE 2B
STA. 17+000 TO STA. 17+800
 SEDGWICK COUNTY

Professional Engineering Consultants, P.A.
 303 S. TOPEKA • WICHITA, KANSAS 67202
 316-262-2691 • FAX 316-262-3003

Designed by	RPG, RWM	Checked by	WDH
Drawn by	JGP	Date	April, 2002
		Job No.	97362