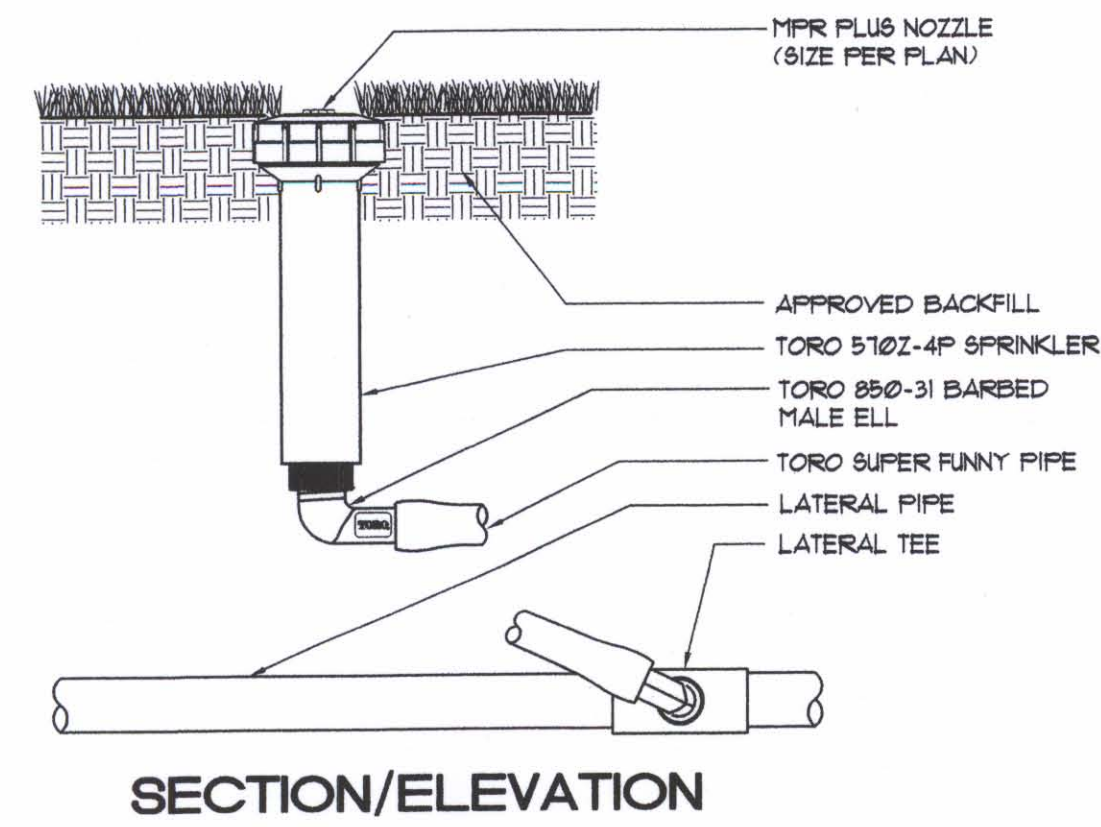


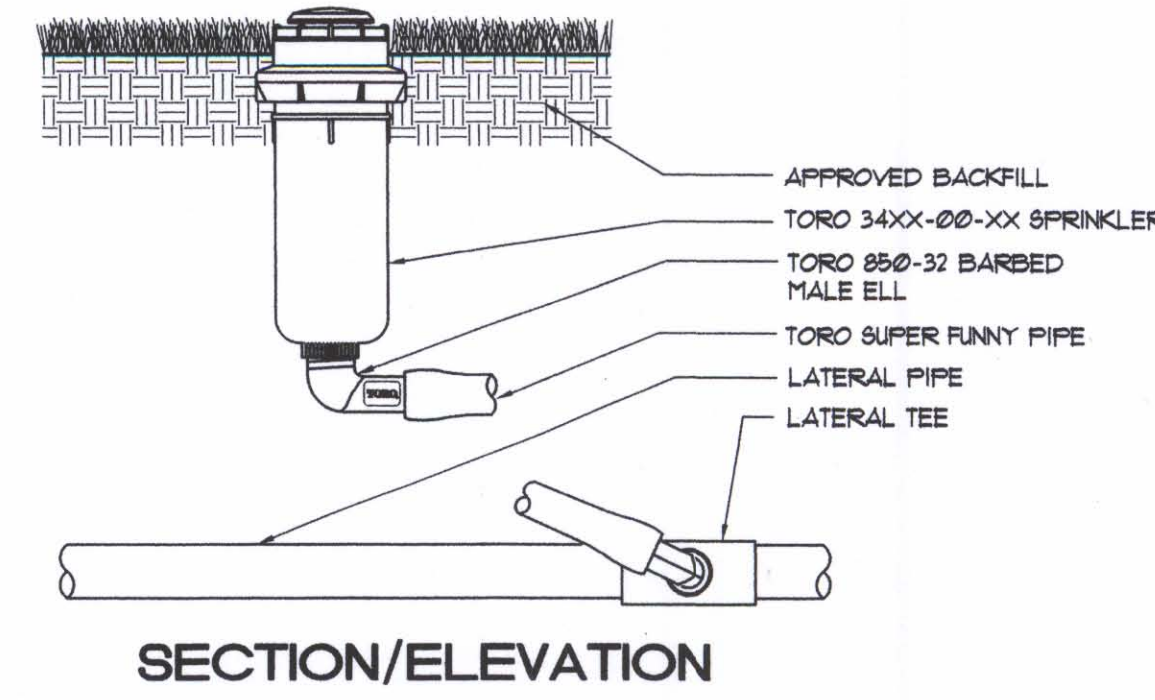
FHWA REGION NO.	STATE	PROJECT NO.	YEAR	SHEET NO.	TOTAL SHEETS
7	KANSAS	54-87 K-6657-01	2002	870	1122

DATE	
BY	
REFERENCES NOTED	
REFERENCES CHECKED	



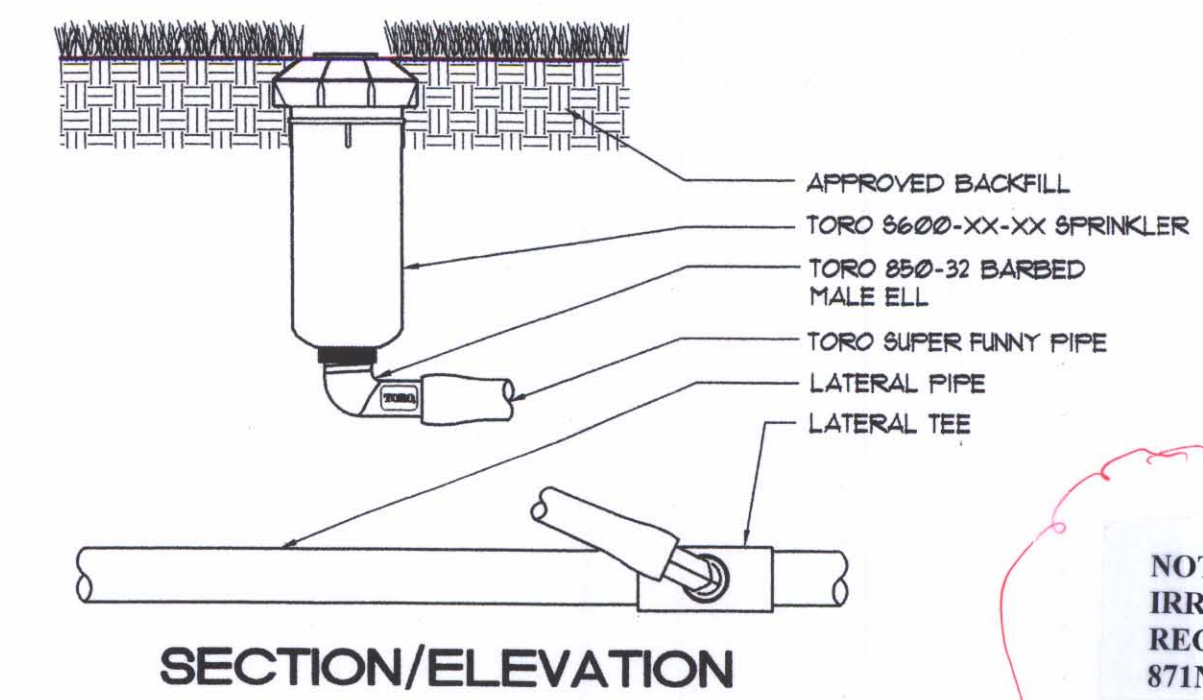
* NOTES: INSTALL SPRINKLER AT FINISHED GRADE

1 **FIXED-SPRAY SPRINKLER** (TORO 510Z SERIES 4" POP-UP) N.T.S.



* NOTES: INSTALL SPRINKLER AT FINISHED GRADE

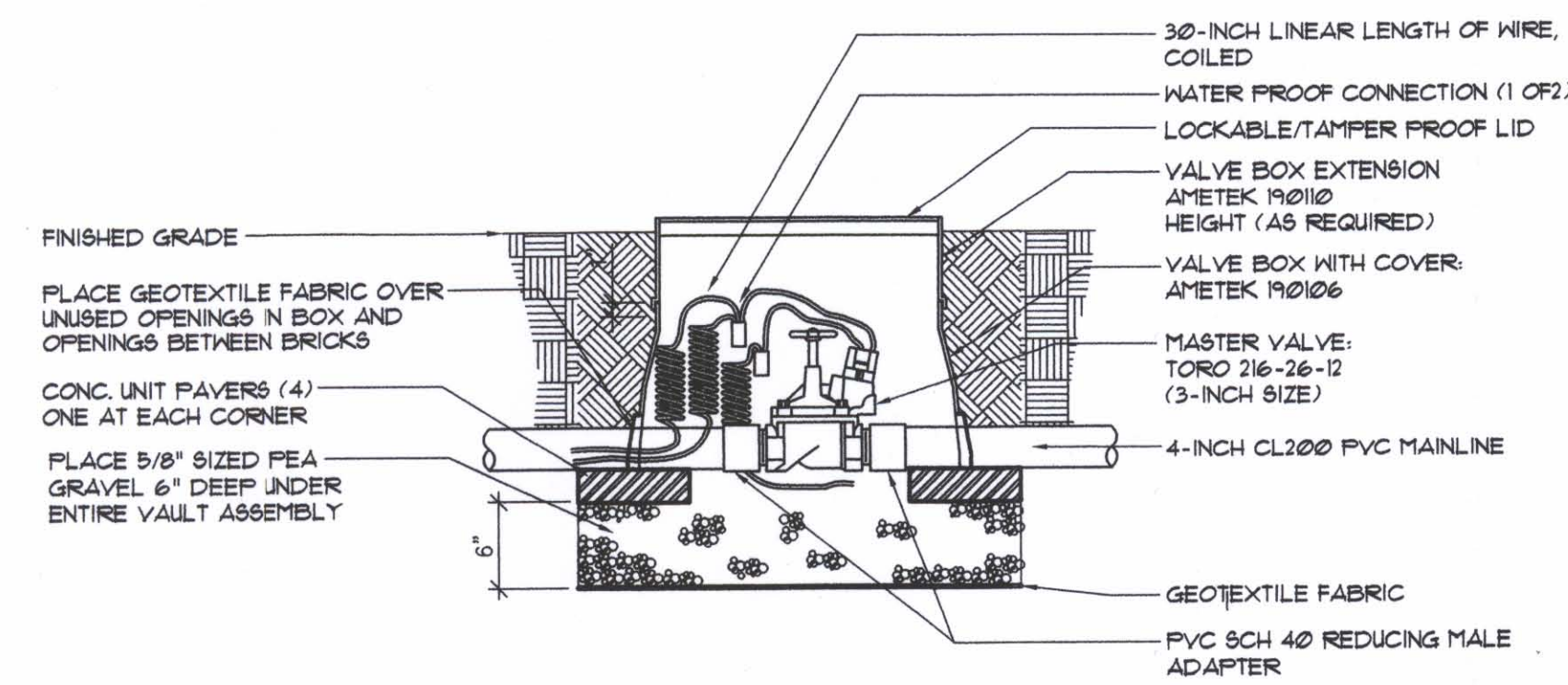
2 **STREAM ROTOR SPRINKLER** (TORO 340 SERIES 4" POP-UP) N.T.S.



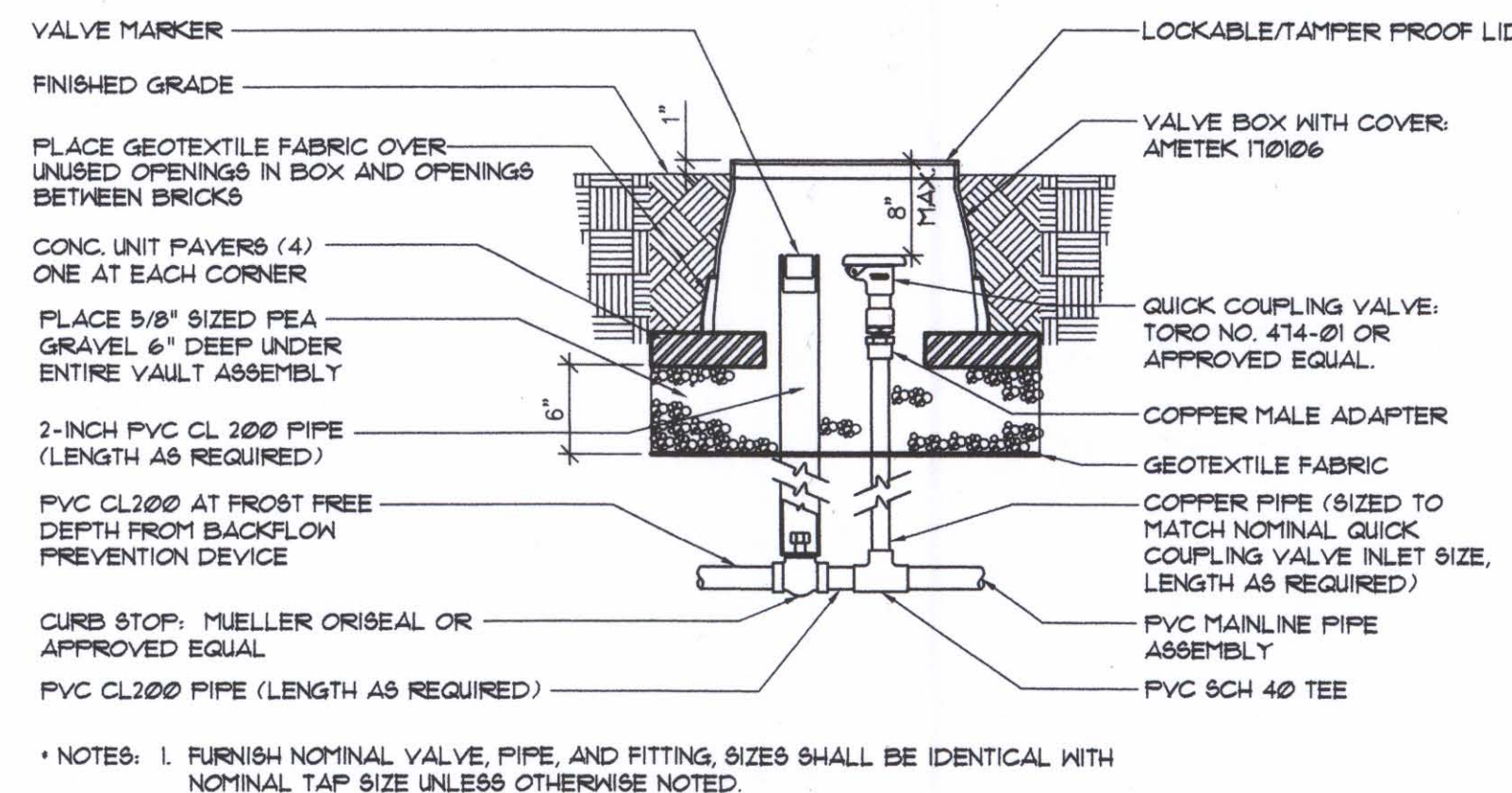
* NOTES: INSTALL SPRINKLER AT FINISHED GRADE

3 **SINGLE-STREAM SPRINKLER** (TORO SUPER 600 SERIES 2" POP-UP) N.T.S.

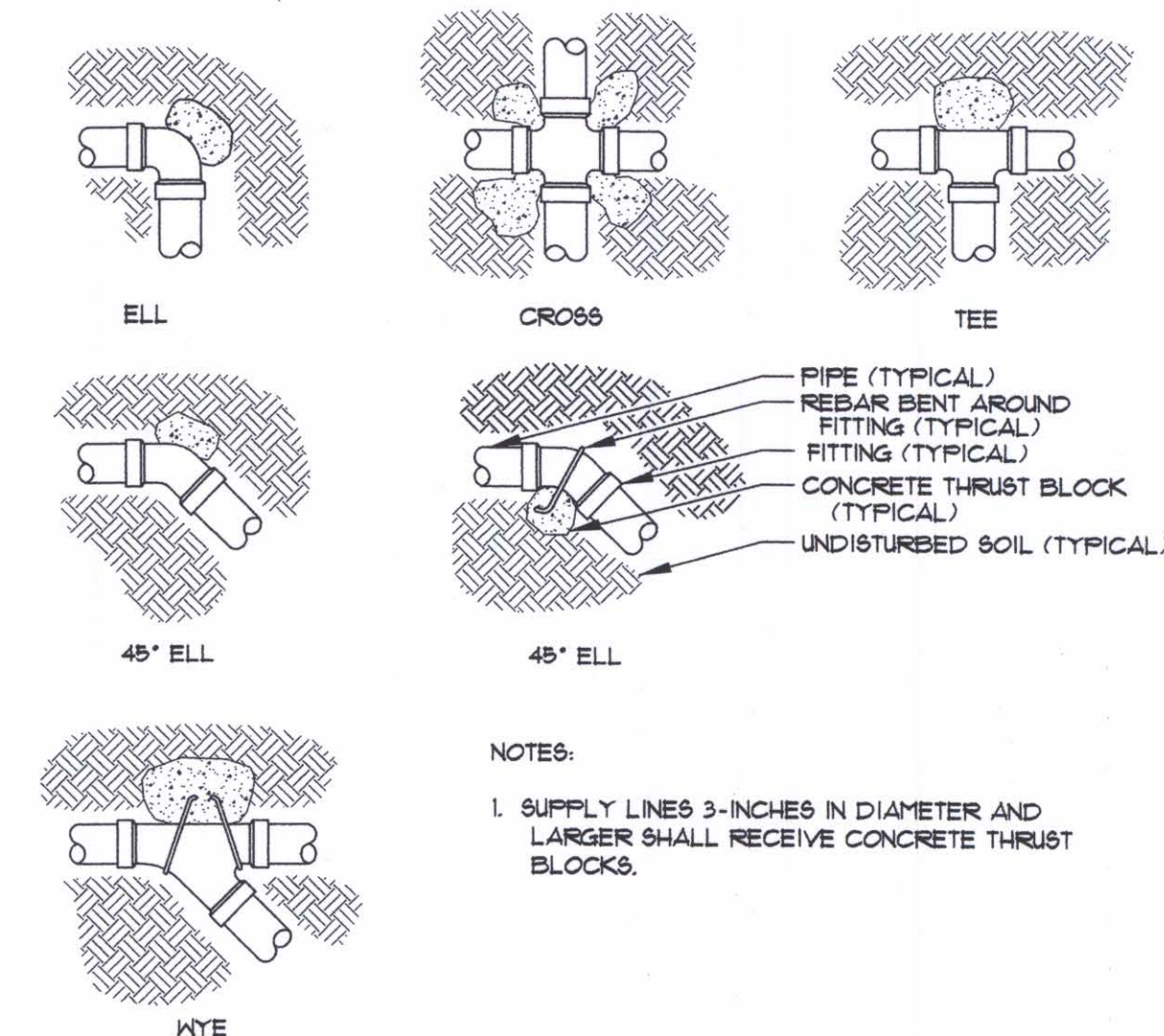
NOTE: FOR ACTUAL LOCATION OF IRRIGATION ITEMS, SEE IRRIGATION RECORD DRAWINGS, SHEET NO. 871A TO 871N.



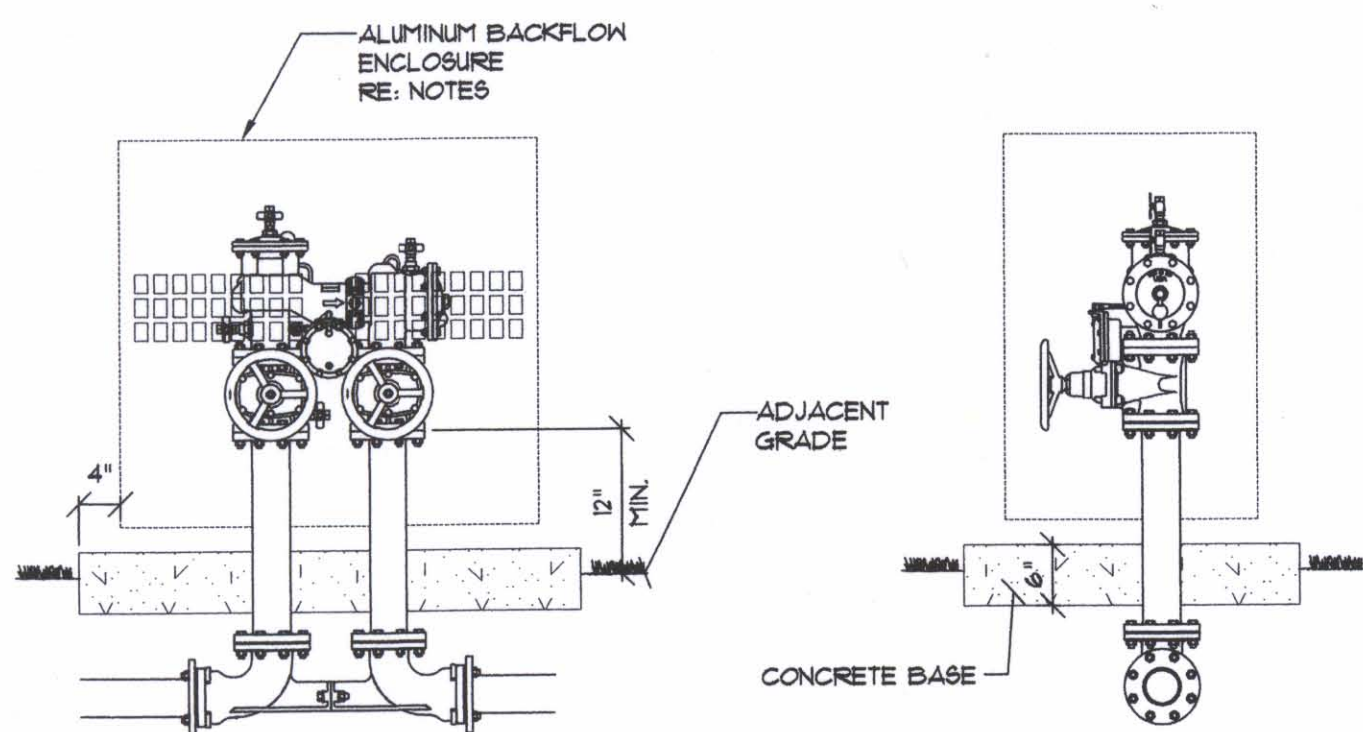
4 **MASTER VALVE ASSEMBLY** SCALE: 1" = 1'-0"



5 **MAIN SHUTOFF VALVE AND WINTERIZATION ASSEMBLY** SCALE: 1" = 1'-0"

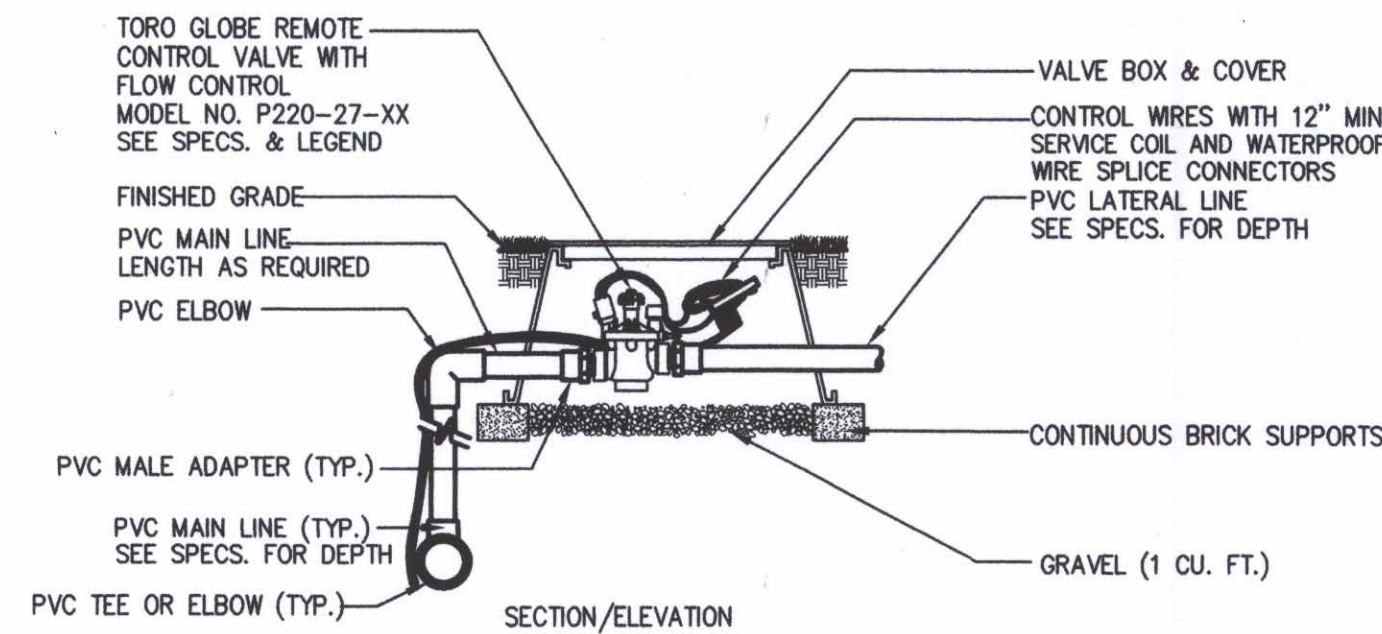


6 **THRUST BLOCK DETAILS** N.T.S.

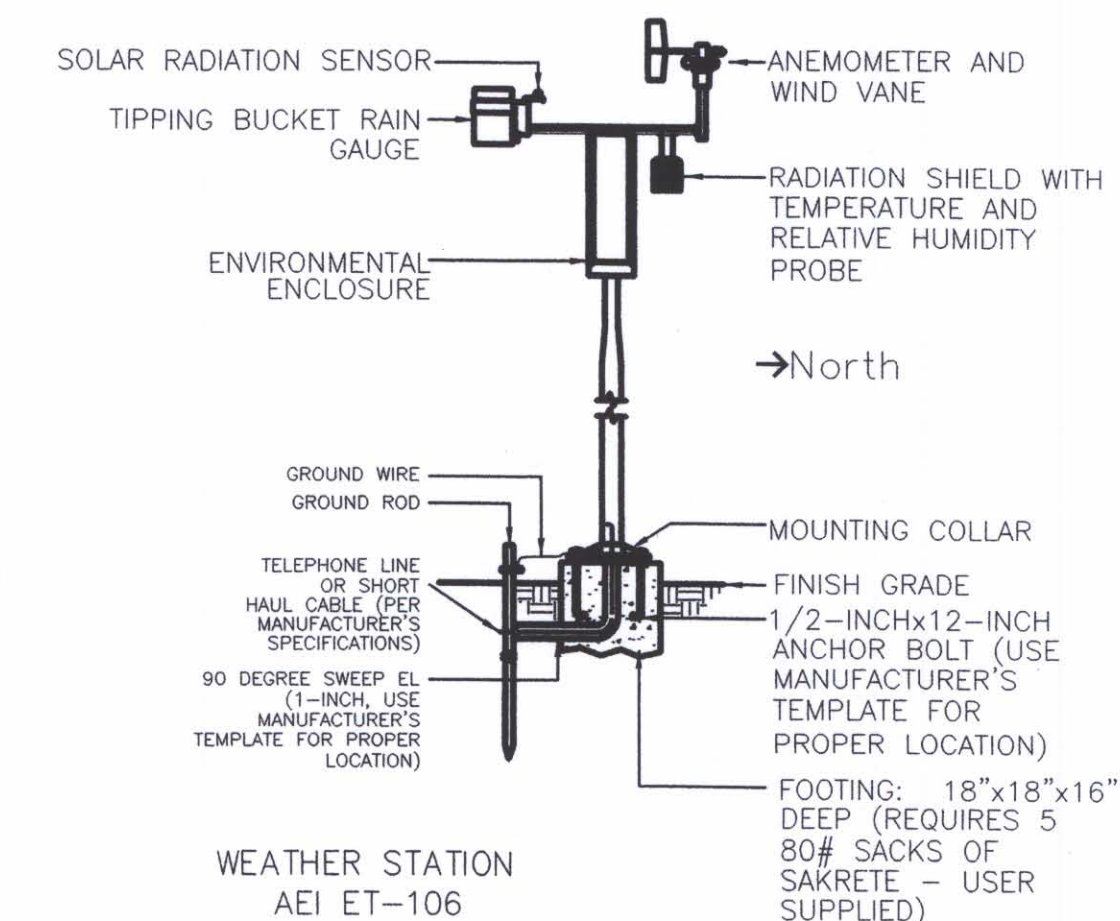


NOTES:
1. BACKFLOW PREVENTOR SHALL BE FEBCO 880 OR APPROVED EQUAL.
2. BACKFLOW ENCLOSURE SHALL BE STRONG BOX 88BC-40ALHP BY V.I.T. PRODUCTS 1-800-124-1314 OR APPROVED EQUAL.

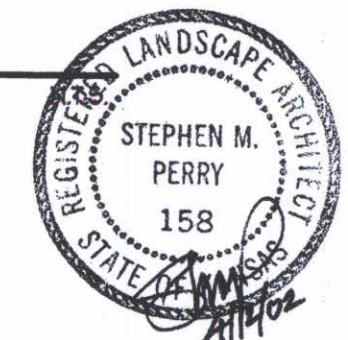
7 **BACKFLOW PREVENTOR** N.T.S.



8 **REMOTE CONTROL VALVE** (TORO P-220 PRESSURE REGULATED) N.T.S.



9 **WEATHER STATION** N.T.S.



DSNR: OPER: DWR SCALE: 1:500
F:/9934/15146 BY:DWR



1	Revisions	By	Date
CITY OF WICHITA IRRIGATION DETAILS			
SEDGWICK COUNTY			
Professional Engineering Consultants, P.A. 303 S. TOPEKA • WICHITA, KANSAS 67202 316-262-2691 • FAX 316-262-3003			
Designed by	SMP	Checked by	
Drawn by	DWR	Date	April, 2002
		Job No.	97362