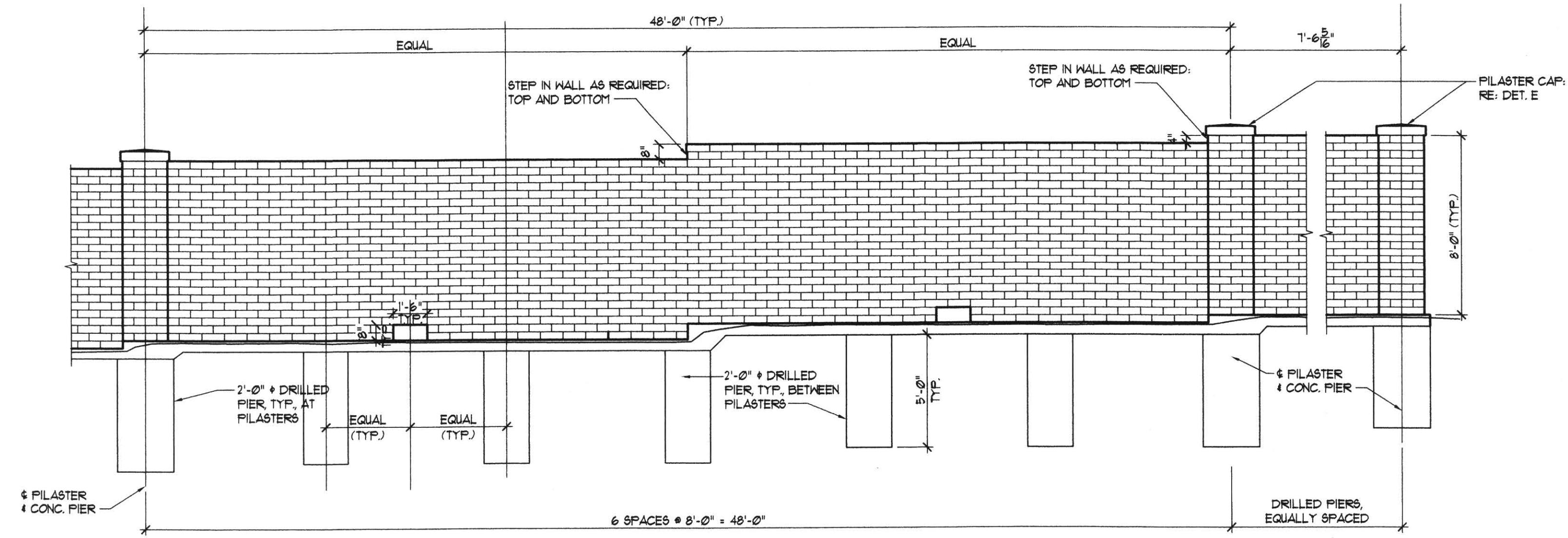
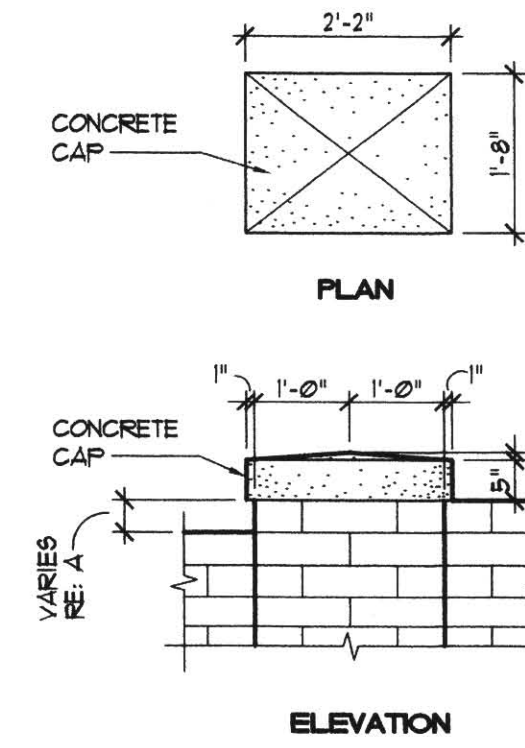


FHWA REGION NO.	STATE	PROJECT NO.	YEAR	SHEET NO.	TOTAL SHEETS
7	KANSAS	54-87 K-6657-01	2002	894	1122

DATE	
BY	
REFERENCES NOTED	
REFERENCES CHECKED	

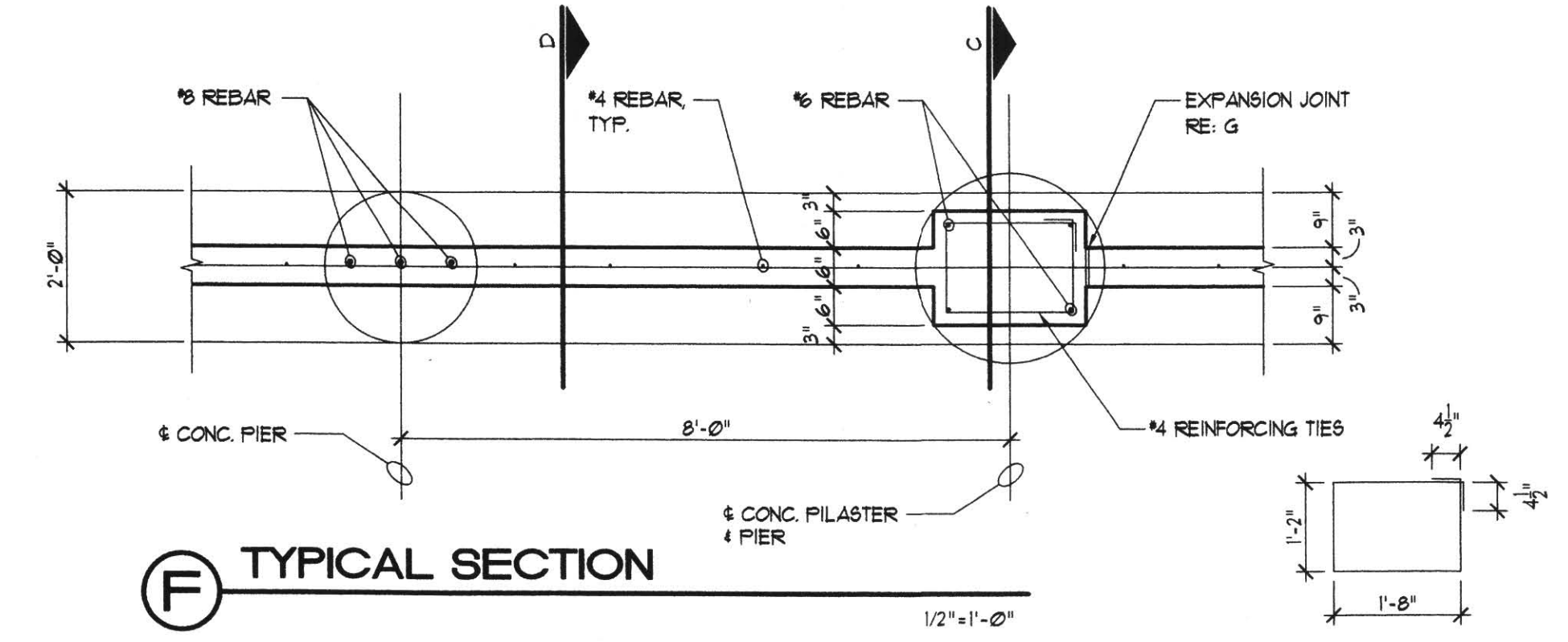


(A) CONCRETE FENCE ELEVATION
1/4"=1'-0"

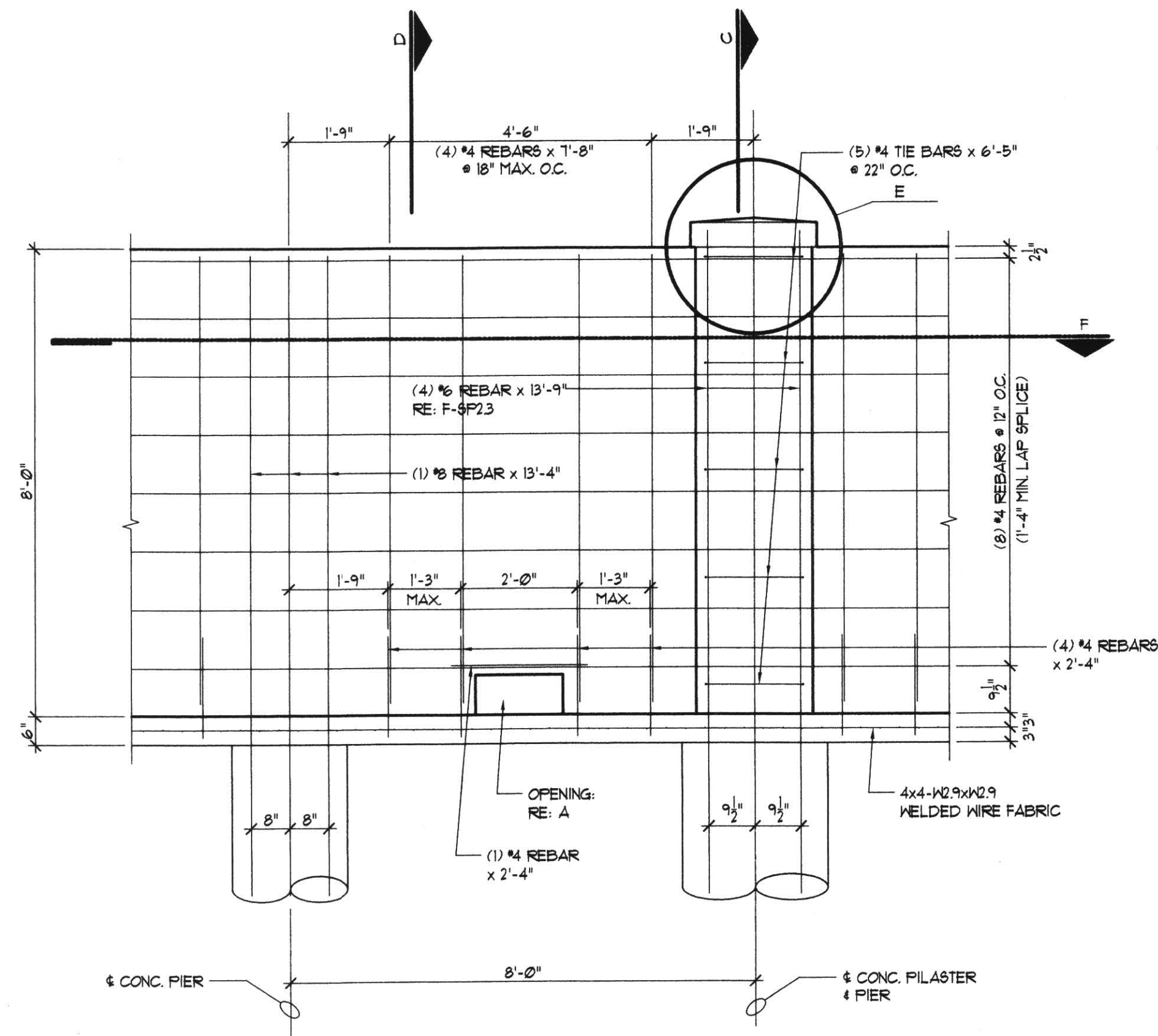


(E) PILASTER CAP DETAIL
1/2"=1'-0"

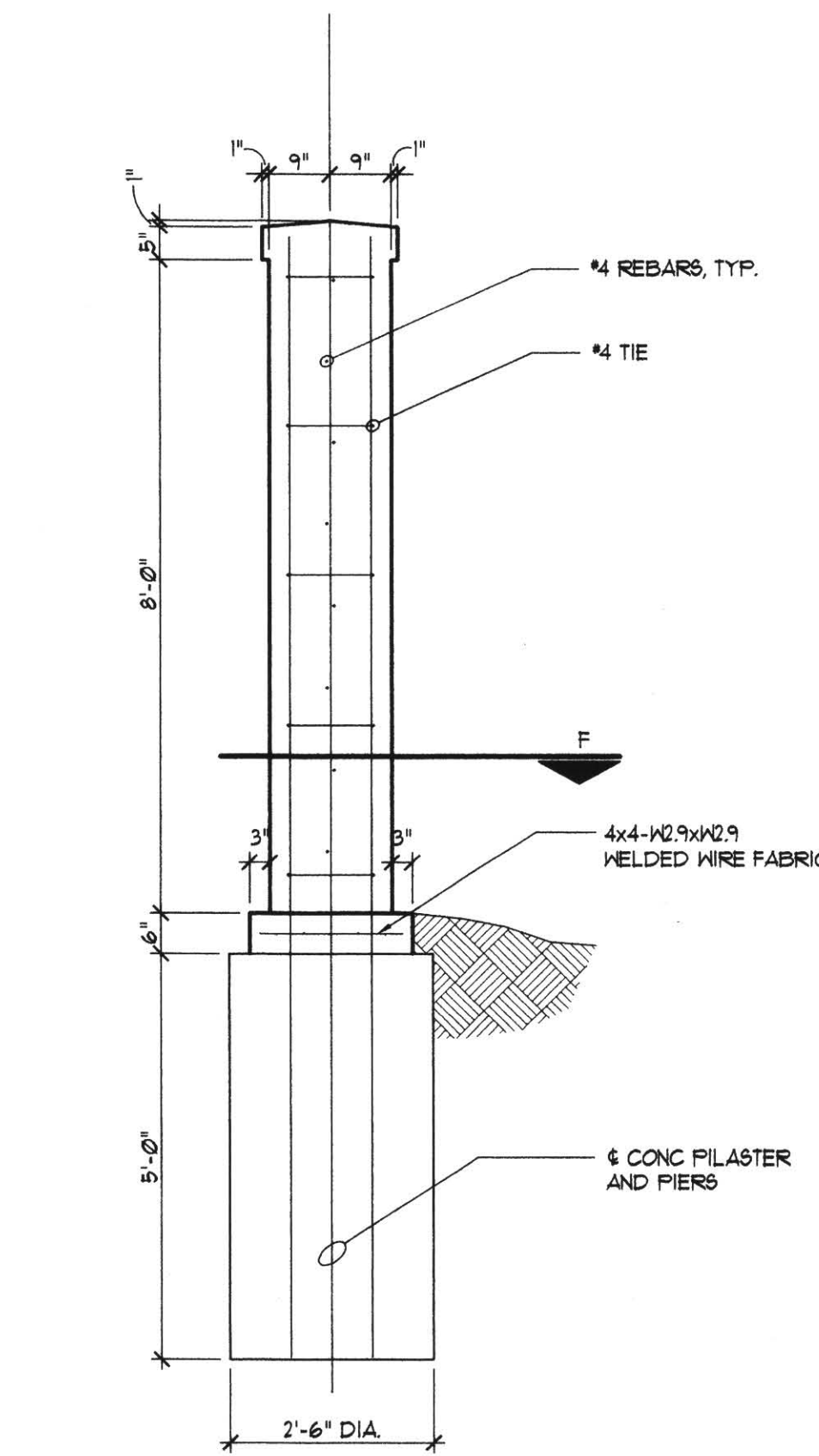
NOTE:
THE PILASTER CAP MAY BE PRECAST OR CAST-IN-PLACE AT THE OPTION OF THE CONTRACTOR. IF PRECAST OPTION IS CHOSEN, THE CONTRACTOR SHALL SHOW ON HIS SHOP DRAWINGS HIS PROPOSED METHOD OF SECURING THE CAP TO THE PILASTER.



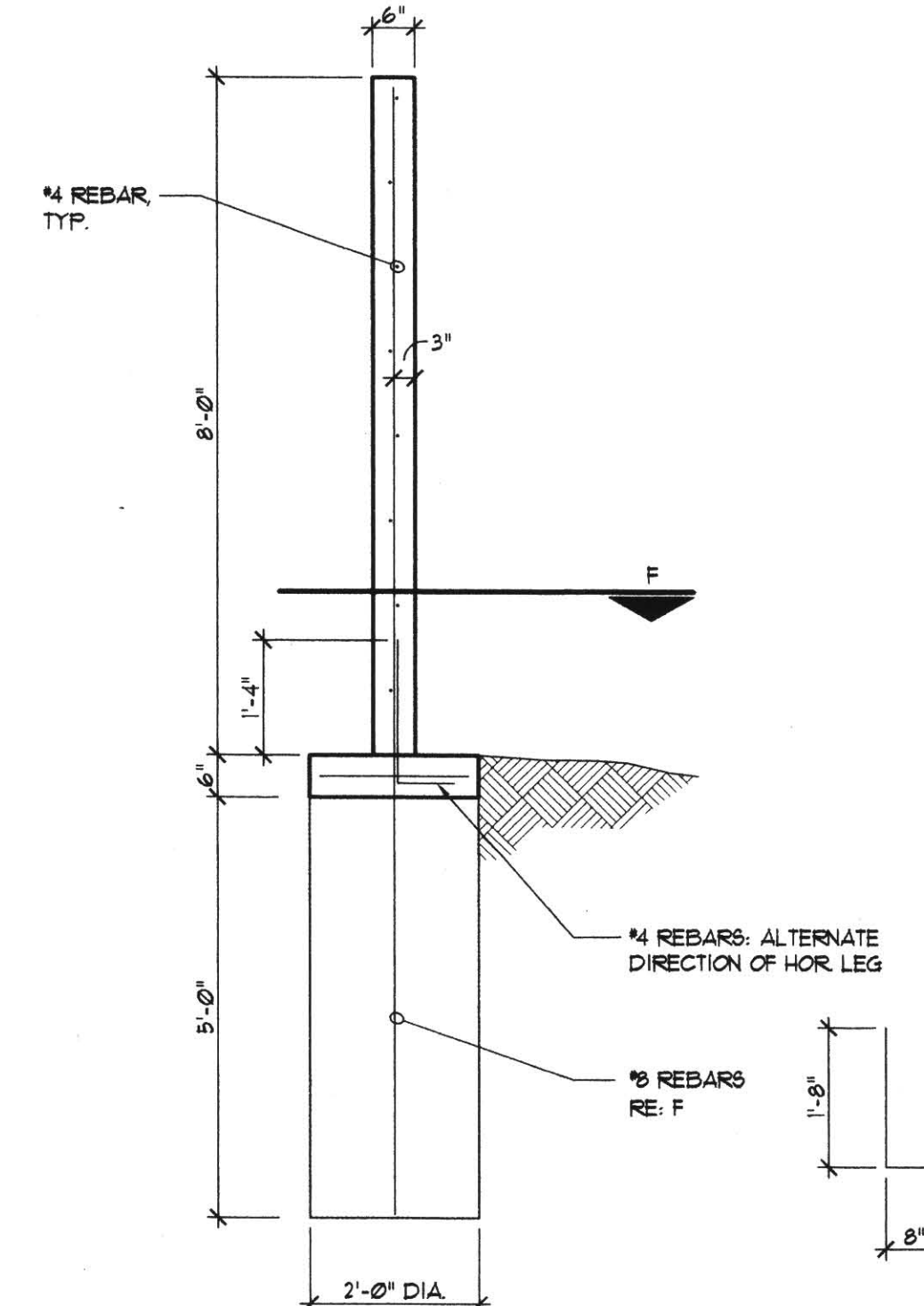
(F) TYPICAL SECTION
1/2"=1'-0"



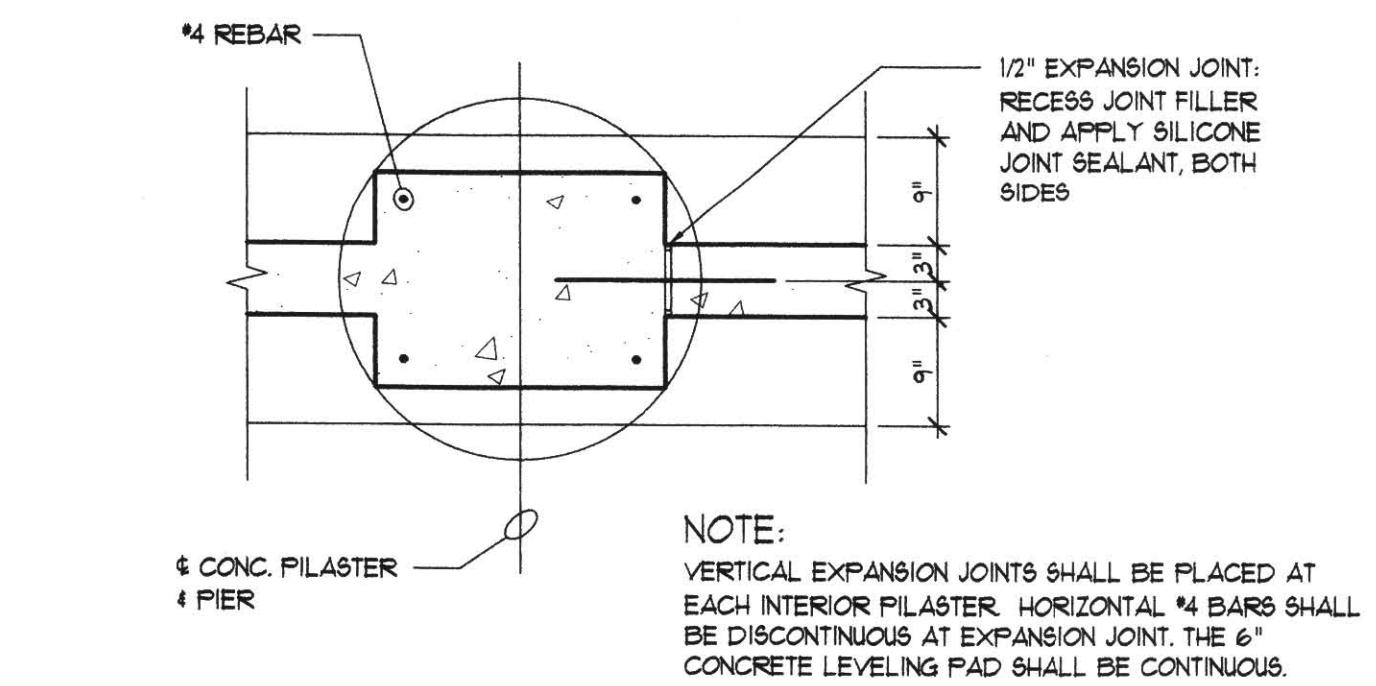
(B) TYPICAL FENCE STEEL REINFORCEMENT
1/2"=1'-0"



(C) PILASTER SECTION
1/2"=1'-0"



(D) WALL SECTION
1/2"=1'-0"



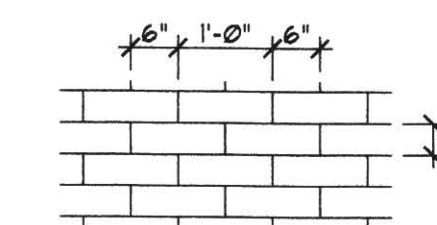
(G) EXPANSION JOINT
3/4"=1'-0"

NOTE:
VERTICAL EXPANSION JOINTS SHALL BE PLACED AT EACH INTERIOR PILASTER. HORIZONTAL #4 BARS SHALL BE DISCONTINUOUS AT EXPANSION JOINT. THE 6" CONCRETE LEVELING PAD SHALL BE CONTINUOUS.

GENERAL NOTES

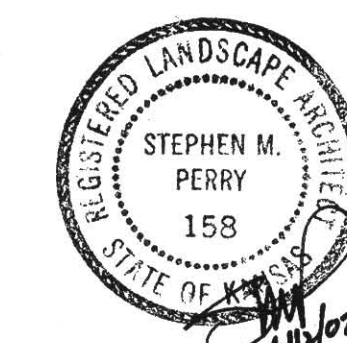
CONCRETE: ALL CONCRETE USED IN FENCE CONSTRUCTION SHALL BE CLASS A (AE).
REINFORCING STEEL: ALL REINFORCING STEEL SHALL CONFORM TO A615 GRADE 420 WELDED WIRE FABRIC SHALL CONFORM TO ASTM A185. FABRIC SHALL OVERLAP 10" MINIMUM.
SURFACE TREATMENT AND COATING:
CONCRETE FENCE SHALL HAVE ADOBE SLUMP BLOCK FINISH OR EQUAL ON BOTH SIDES. BOTH SIDES SHALL RECEIVE A SURFACE COATING FINISH RE: SPECS, COLOR TO MATCH BRIDGE STRUCTURES.
SURFACE COATING COSTS SHALL BE SUBSIDIARY TO BID ITEM "CONCRETE FENCE".
FENCE LOCATION: LOCATION SHOWN ON SHEETS 871-878.

MATERIALS ON THIS SHEET "FAY ITEM" "CONCRETE FENCE"



(H) SURFACE PATTERN
1/2"=1'-0"

DSNR: F/9934/15174
OPER: DWR
SCALE: 1:500



No.	Revisions	By	Date
1			
KANSAS DEPARTMENT OF TRANSPORTATION			
CONCRETE FENCE DETAILS			
SEDGWICK COUNTY			
Professional Engineering Consultants, P.A.			
303 S. TOPEKA • WICHITA, KANSAS 67202 316-262-2691 • FAX 316-262-3003			
Designed by	SMP	Checked by	
Drawn by	DWR	Date	April, 2002
		Job No.	97362