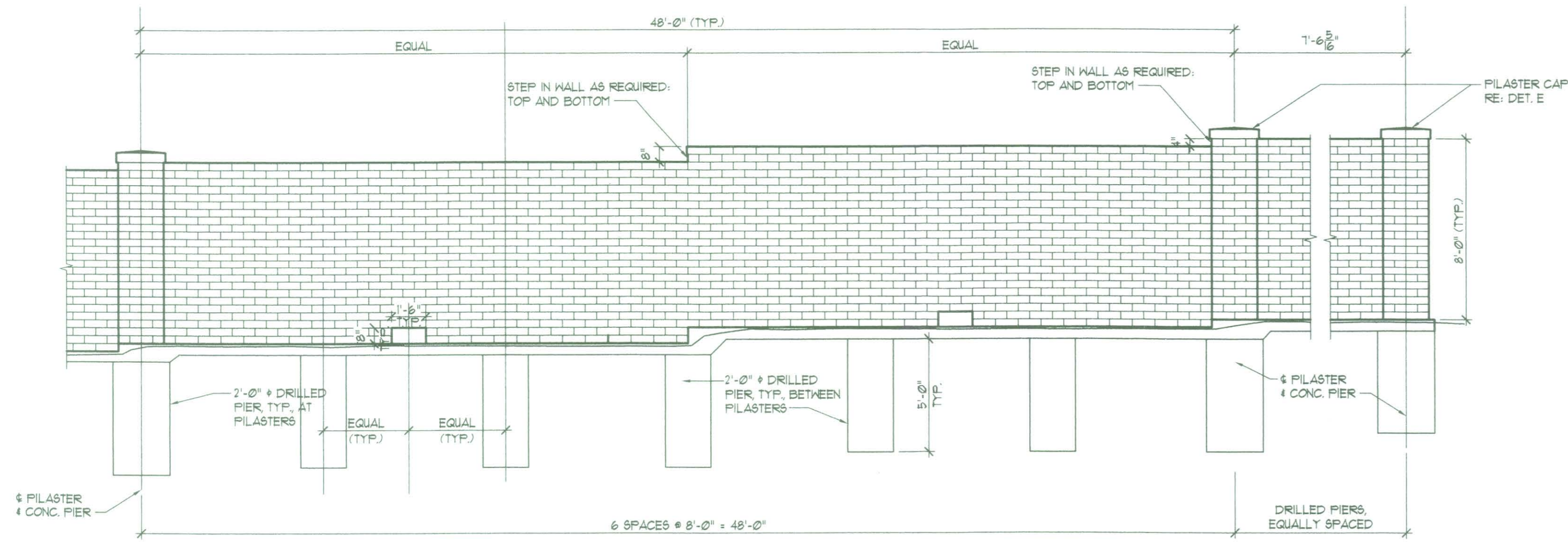
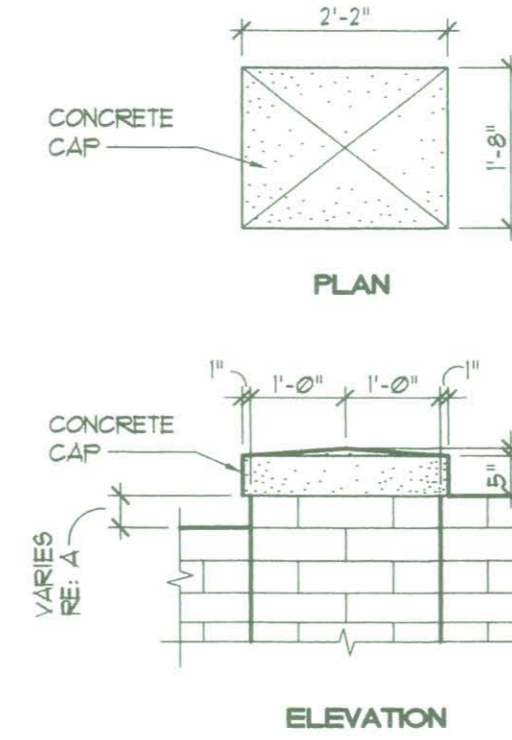


FHWA REGION NO.	STATE	PROJECT NO.	YEAR	SHEET NO.	TOTAL SHEETS
7	KANSAS	54-87 K-6657-01	2002	894	1122

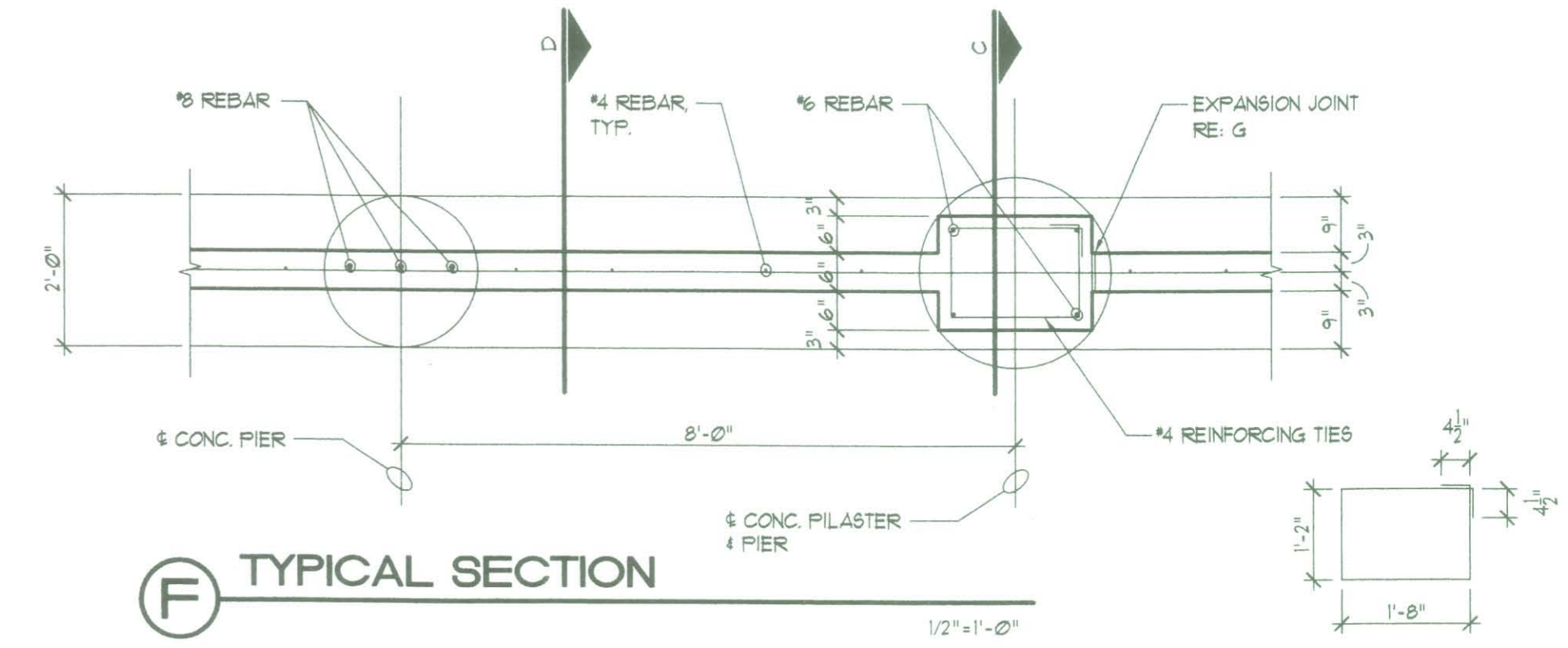
DATE	
BY	
REFERENCES NOTED	
REFERENCES CHECKED	



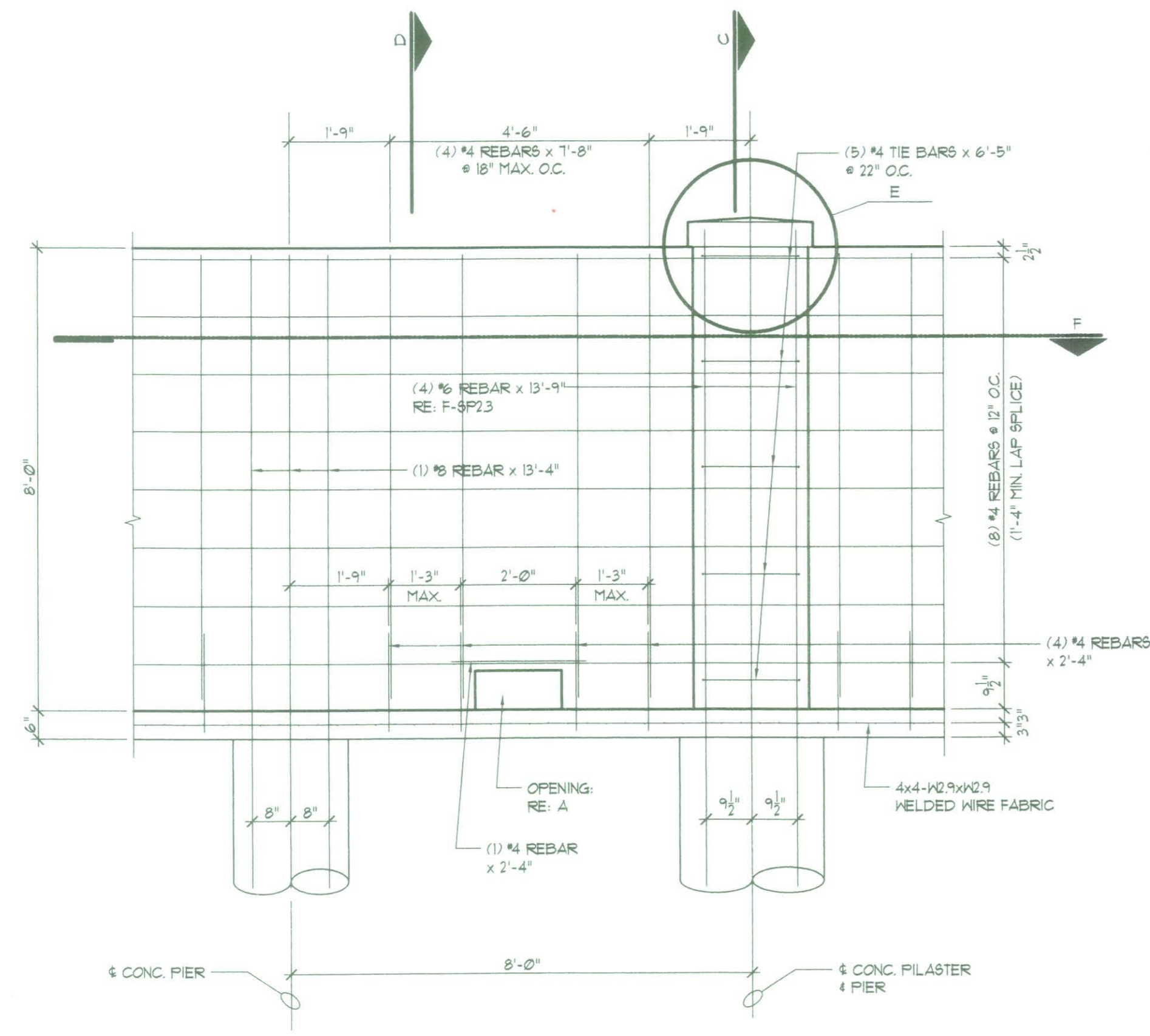
(A) CONCRETE FENCE ELEVATION
1/4" = 1'-0"



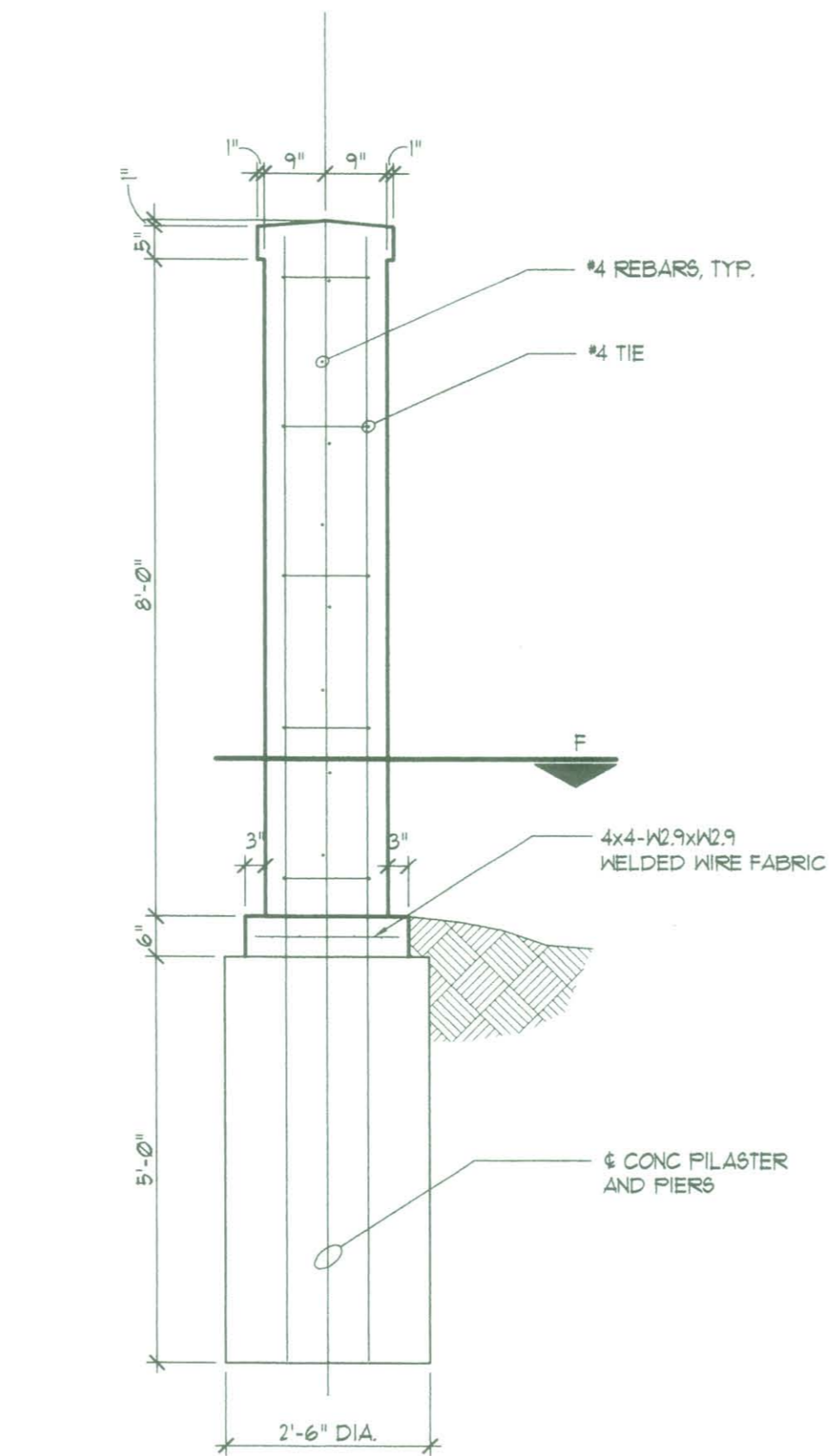
(E) PILASTER CAP DETAIL
1/2" = 1'-0"



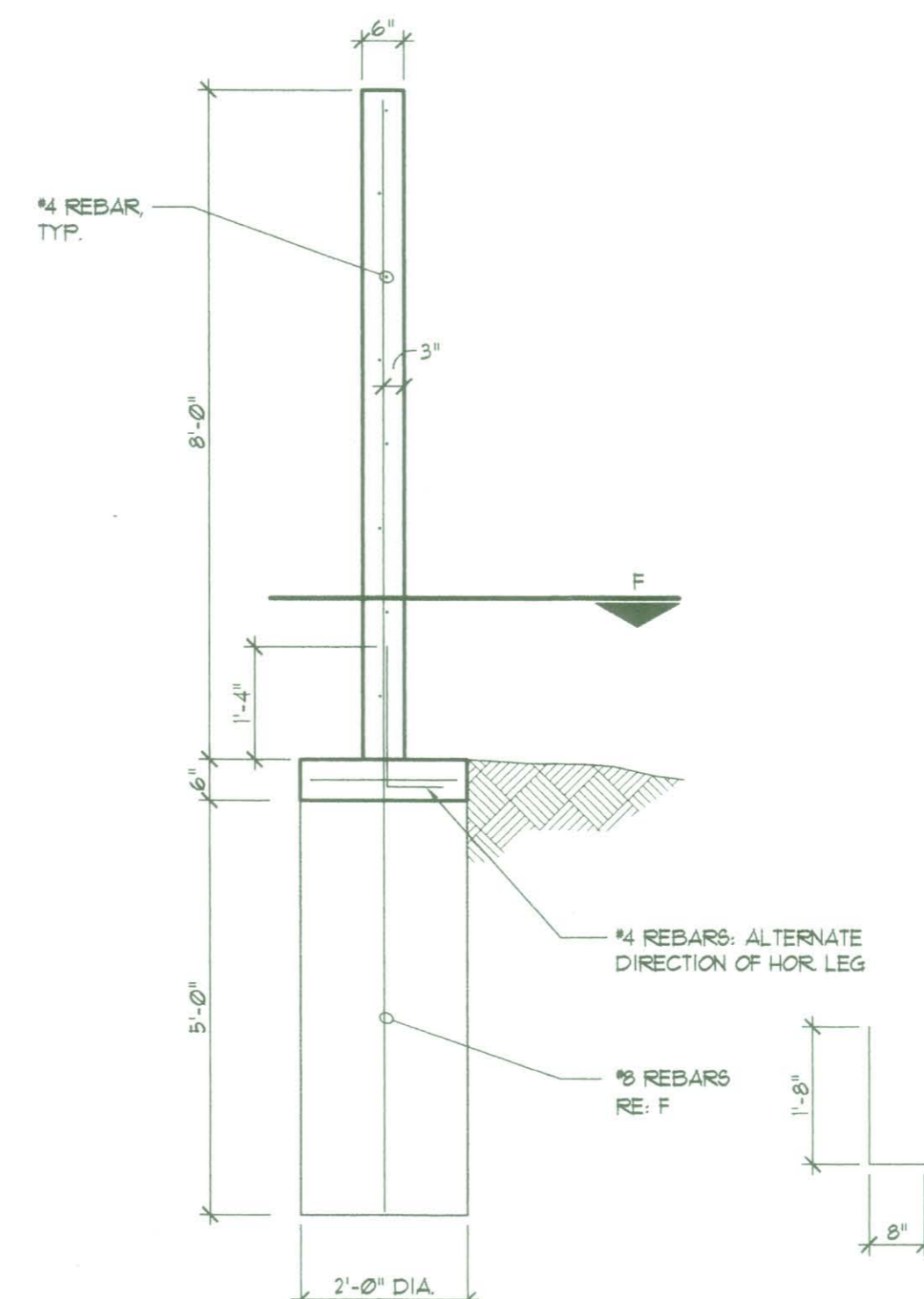
(F) TYPICAL SECTION
1/2" = 1'-0"



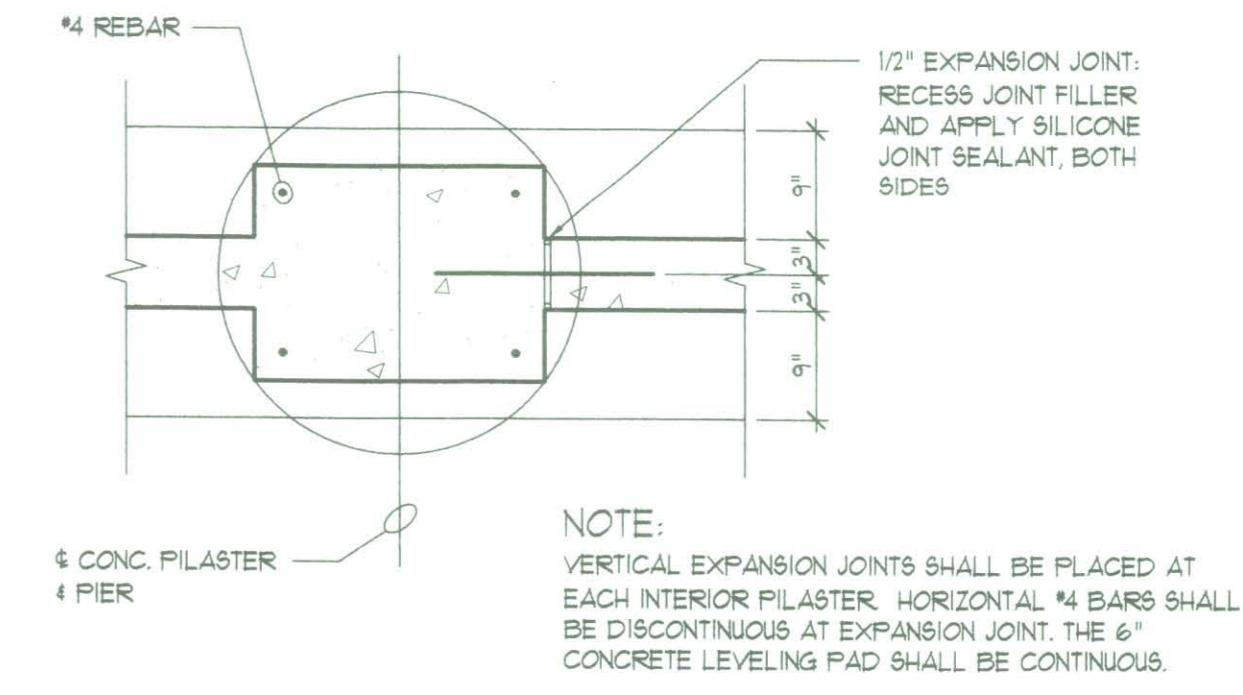
(B) TYPICAL FENCE STEEL REINFORCEMENT
1/2" = 1'-0"



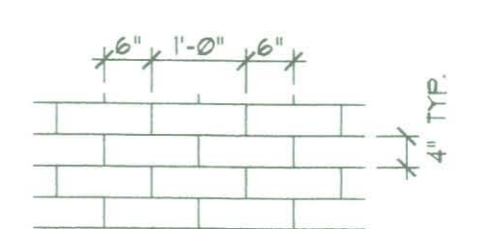
(C) PILASTER SECTION
1/2" = 1'-0"



(D) WALL SECTION
1/2" = 1'-0"



(G) EXPANSION JOINT
3/4" = 1'-0"

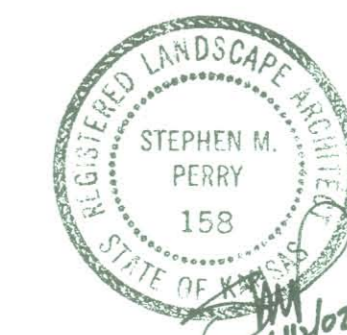


(H) SURFACE PATTERN
1/2" = 1'-0"

GENERAL NOTES

CONCRETE: ALL CONCRETE USED IN FENCE CONSTRUCTION SHALL BE CLASS A (AE).
 REINFORCING STEEL: ALL REINFORCING STEEL SHALL CONFORM TO A615 GRADE 420 WELDED WIRE FABRIC SHALL CONFORM TO ASTM A185. FABRIC SHALL OVERLAP 150MM MINIMUM.
 SURFACE TREATMENT AND COATING:
 CONCRETE FENCE SHALL HAVE ADOBE SLUMP BLOCK FINISH OR EQUAL ON BOTH SIDES. BOTH SIDES SHALL RECEIVE A SURFACE COATING FINISH RE: SPFGS. COLOR TO MATCH BRIDGE STRUCTURES.
 SURFACE COATING COSTS SHALL BE SUBSIDIARY TO BID ITEM "CONCRETE FENCE".
 FENCE LOCATION: LOCATION SHOWN ON SHEETS 871-878.
 MATERIALS ON THIS SHEET "PAY ITEM" "CONCRETE FENCE".

DSNR: OPER: DWR SCALE: 1:500
F: 9934/15174



1			
No.	Revisions	By	Date
KANSAS DEPARTMENT OF TRANSPORTATION			
CONCRETE FENCE DETAILS			
SEDGWICK COUNTY			
Professional Engineering Consultants, P.A.			
303 S. TOPEKA • WICHITA, KANSAS 67202 316-262-2691 • FAX 316-262-3003			
Designed by	SMP	Checked by	
Drawn by	DWR	Date April, 2002	Job No. 97362