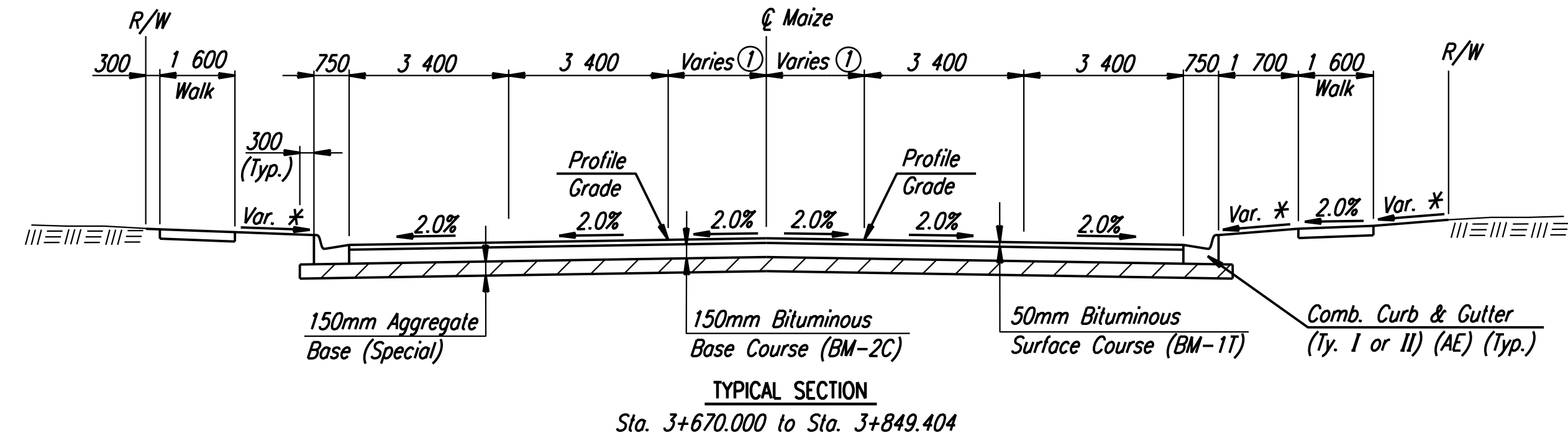
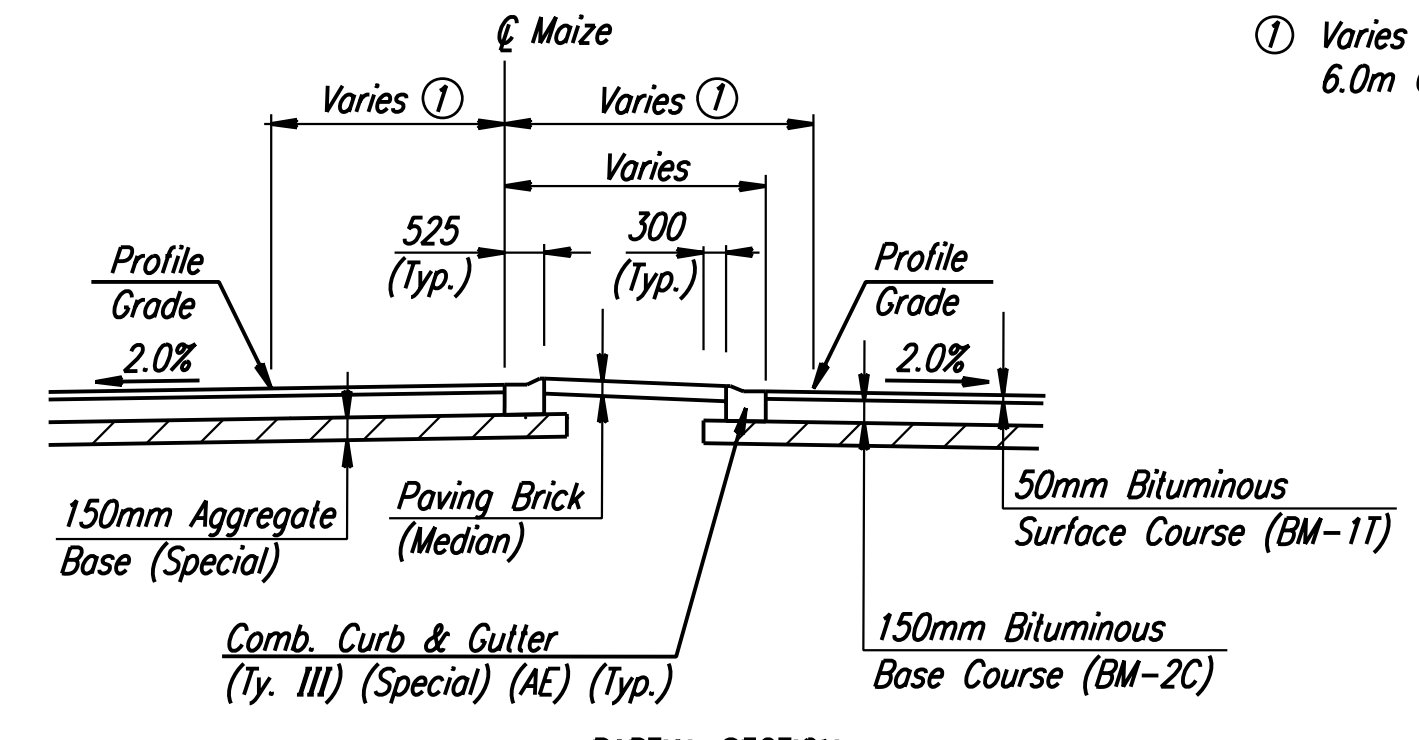


FHWA REGION NO.	STATE	PROJECT NO.	YEAR	SHEET NO.	TOTAL SHEETS
7	KANSAS	54-87 K-6657-01	2002	7	1122

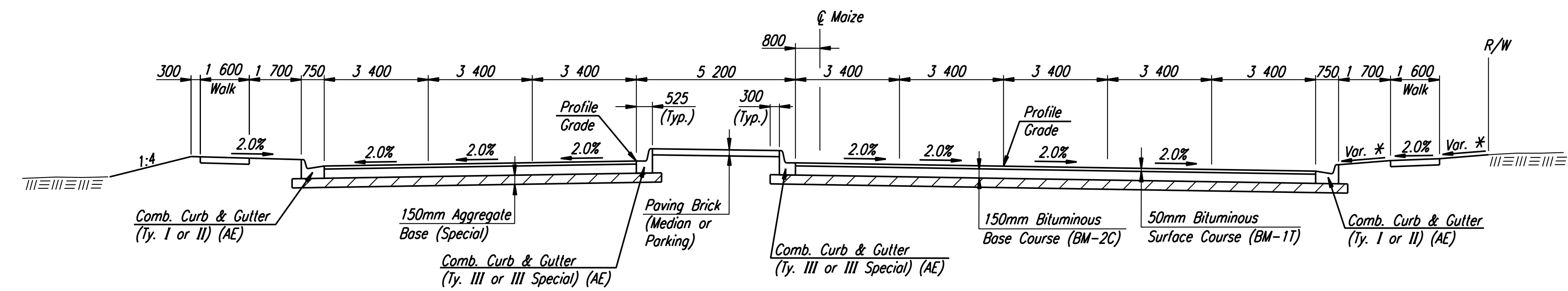


TYPICAL SECTION
Sta. 3+670.000 to Sta. 3+849.404

* See x-sections for variations.
① Varies from 0.0m @ Sta. 3+678.285 to 6.0m @ Sta. 3+849.404.



PARTIAL SECTION
Sta. 3+822.178 to Sta. 3+841.136



TYPICAL SECTION
Sta. 3+873.447 to Sta. 3+922.151

DATE	
BY	
REFERENCES NOTED	
REFERENCES CHECKED	

DSMR: RCH OPER: JGP SCALE: 1:100
i:/1997/97362/As-Builts/dgn/s/Sh 7-maize.tpd By: gdr
Last Rev: 7-27-07

RECORD DRAWING

No.	Revisions	By	Date
CITY OF WICHITA			
TYPICAL SECTIONS MAIZE ROAD			
SEDGWICK COUNTY			
Professional Engineering Consultants, P.A. 303 S. TOPEKA • WICHITA, KANSAS 67202 316-262-2691 • FAX 316-262-3003			
Designed by	RCH	Checked by	WDH
Drawn by	JGP	Date	April, 2002 Job No. 97362