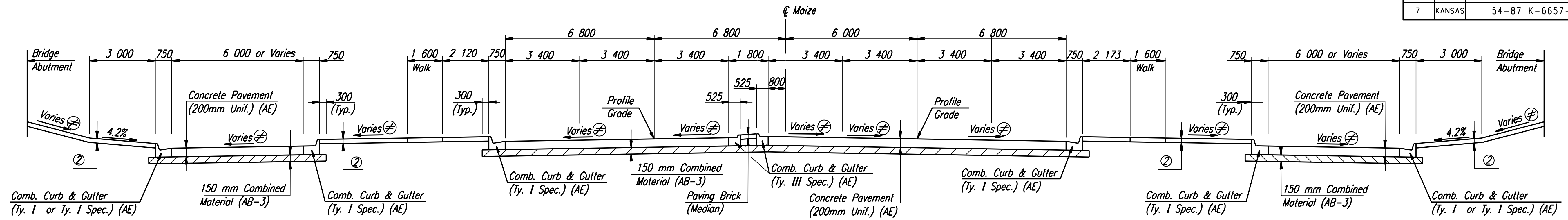
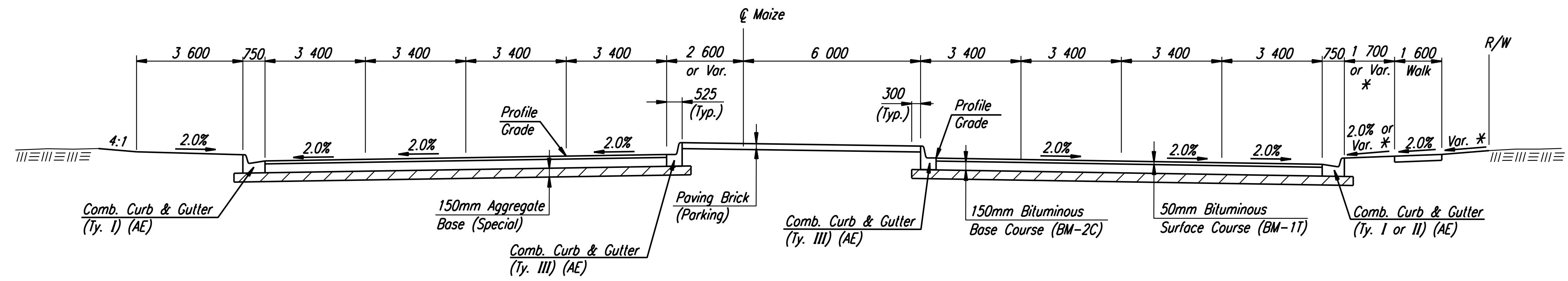


FHWA REGION NO.	STATE	PROJECT NO.	YEAR	SHEET NO.	TOTAL SHEETS
7	KANSAS	54-87 K-6657-01	2002	8	1122

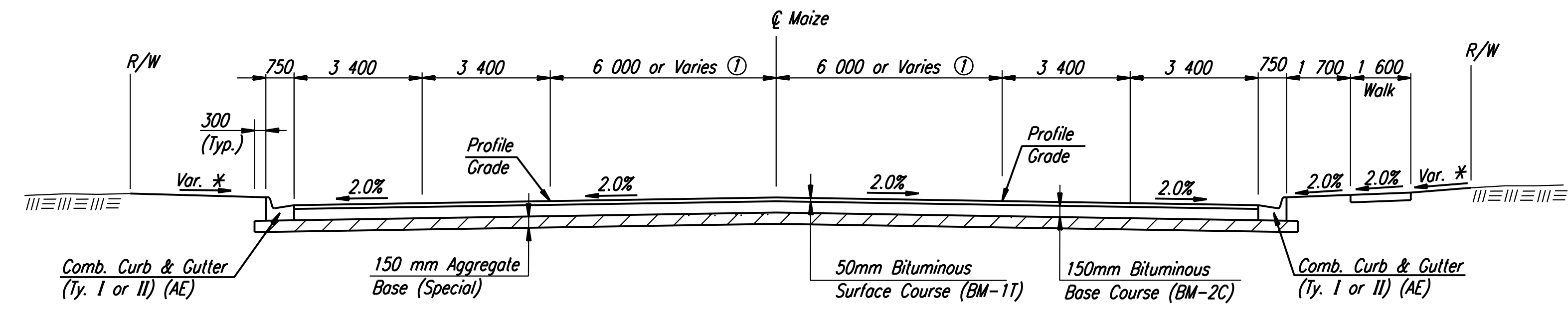


TYPICAL SECTION
 Sta. 3+976.346 to Sta. 4+026.364 Lt.
 Sta. 3+980.275 to Sta. 4+028.704 Rt.

- * See x-sections for variations.
- ⊕ See intersection details for elevations.
- ① Varies from 6.0m @ Sta. 4+151.351 to 0.0m @ Sta. 4+322.724
- ② See Landscape Plans for Surfacing Type.



TYPICAL SECTION
 Sta. 4+081.018 to Sta. 4+126.003



TYPICAL SECTION
 Sta. 4+151.478 to Sta. 4+485.000

DATE	
BY	
REFERENCES NOTED	
REFERENCES CHECKED	

DSMR: RCH OPER: JGP SCALE: 1:100
 i:/1997/97362/As-Builts/dgn/s/Sh_8-maize/typ.dgn Last Rev: 7-27-07 By: gdr

RECORD DRAWING

No.	Revisions	By	Date
CITY OF WICHITA			
TYPICAL SECTIONS MAIZE ROAD			
SEDGWICK COUNTY			
Professional Engineering Consultants, P.A. 303 S. TOPEKA • WICHITA, KANSAS 67202 316-262-2691 • FAX 316-262-3003			
Designed by	RCH	Checked by	WDH
Drawn by	JGP	Date	April, 2002 Job No. 97362