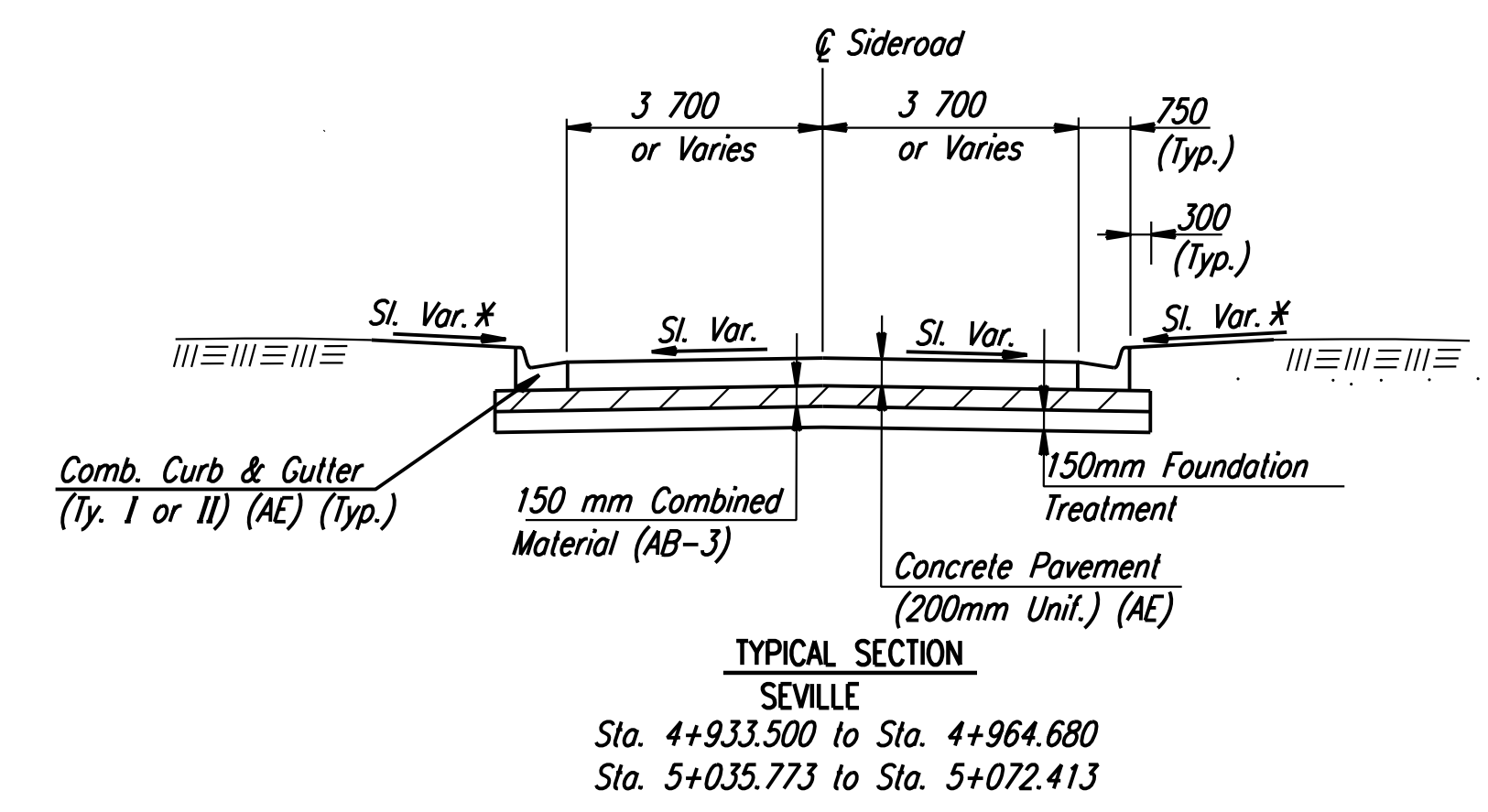
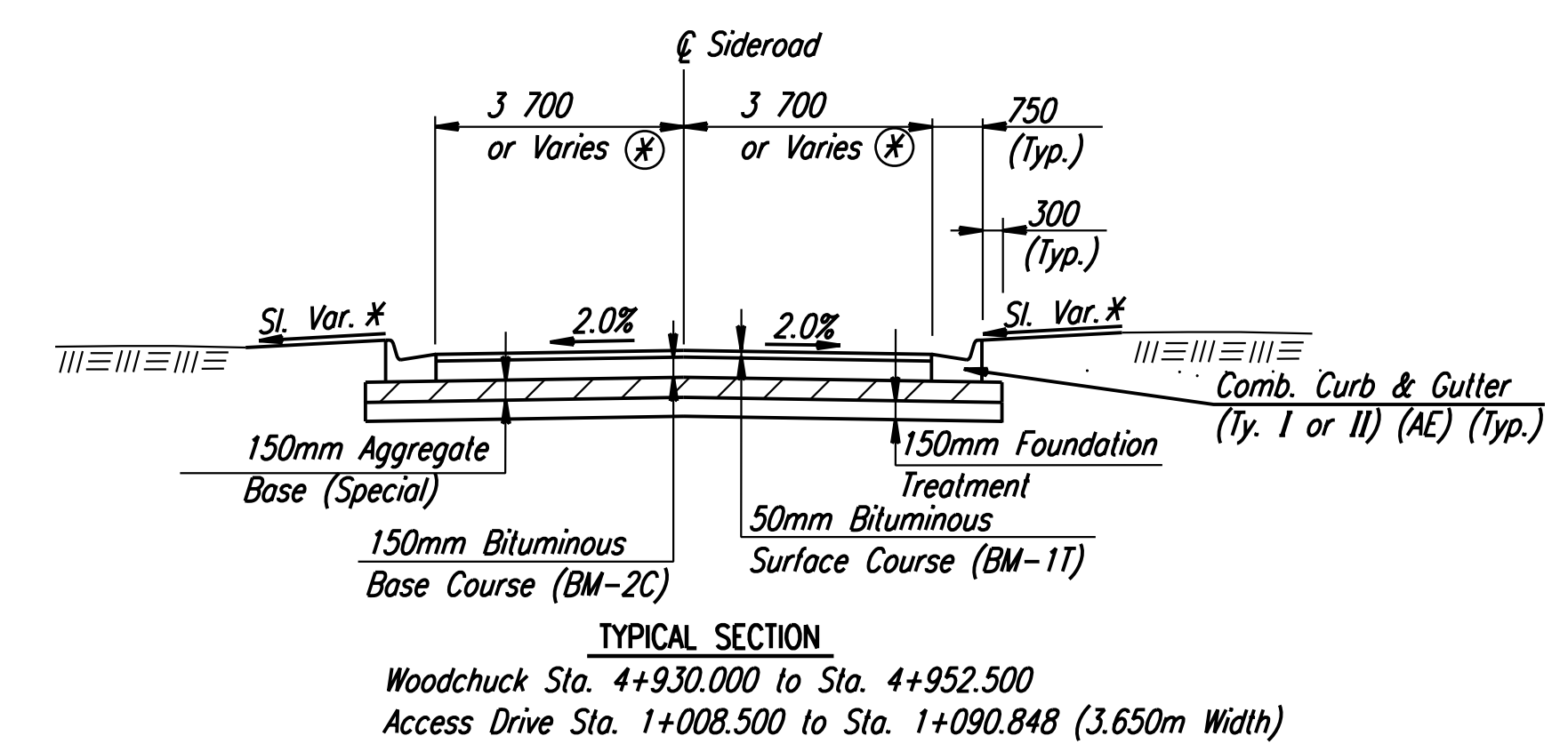
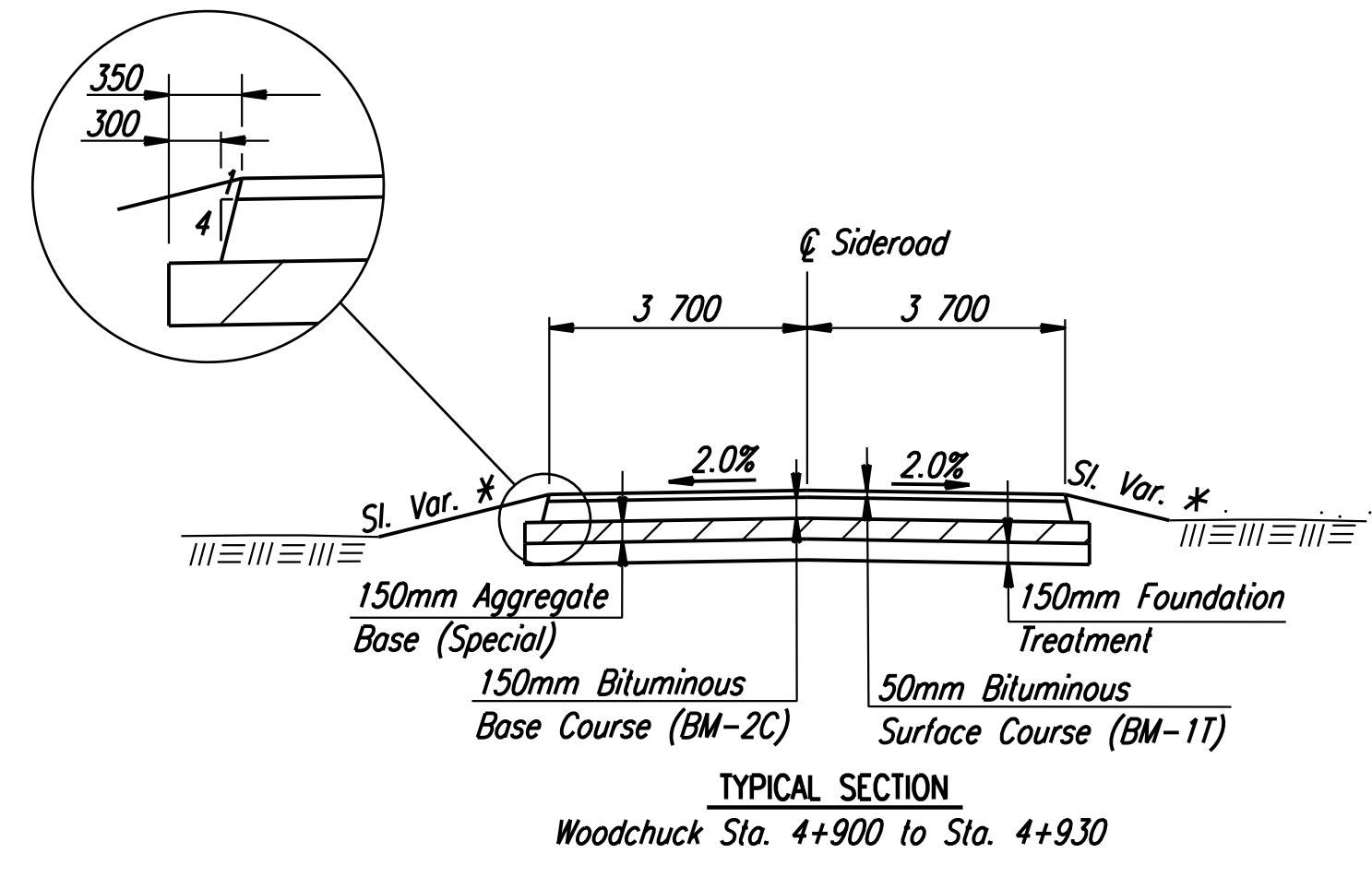


FHWA REGION NO.	STATE	PROJECT NO.	YEAR	SHEET NO.	TOTAL SHEETS
7	KANSAS	54-87 K-6657-01	2002	11	1122

DATE	
BY	
REFERENCES NOTED	
REFERENCES CHECKED	



* See cross sections for slope.
 ⊗ See intersection detail for spot elevations on Access Drive.

DSNR: RCH OPER: JGP SCALE: 1:100
 I:/1997/97362/As-Built/sgn's/Sh 011-sideroadtyp Last Rev: 7-27-07 By: gdr

RECORD DRAWING

No.	Revisions	By	Date
CITY OF WICHITA			
TYPICAL SECTIONS SIDEROADS			
SEDGWICK COUNTY			
Professional Engineering Consultants, P.A. 303 S. TOPEKA • WICHITA, KANSAS 67202 316-262-2691 • FAX 316-262-3003			
Designed by	RCH	Checked by	WDH
Drawn by	JGP	Date	April, 2002 Job No. 97362