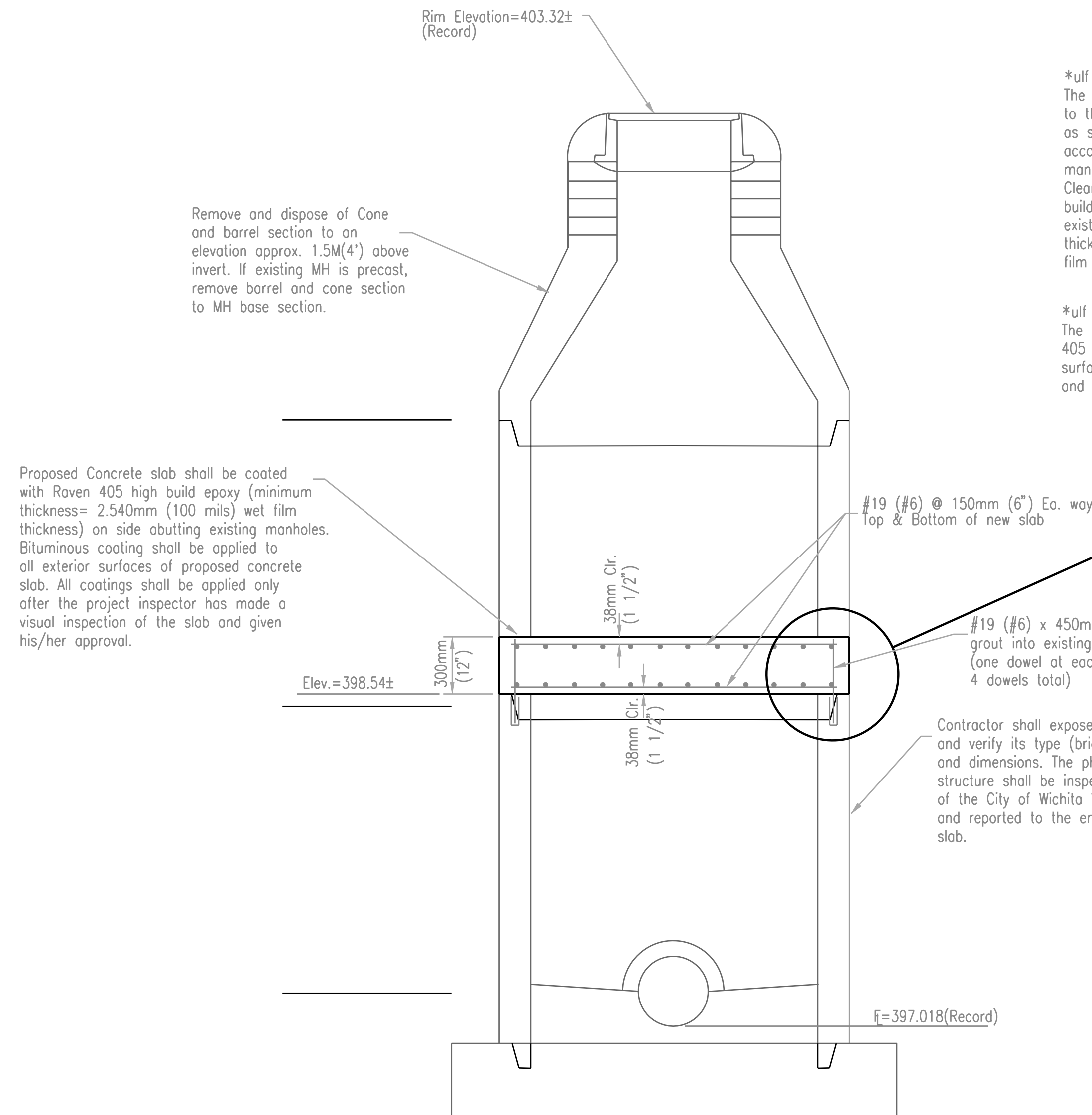
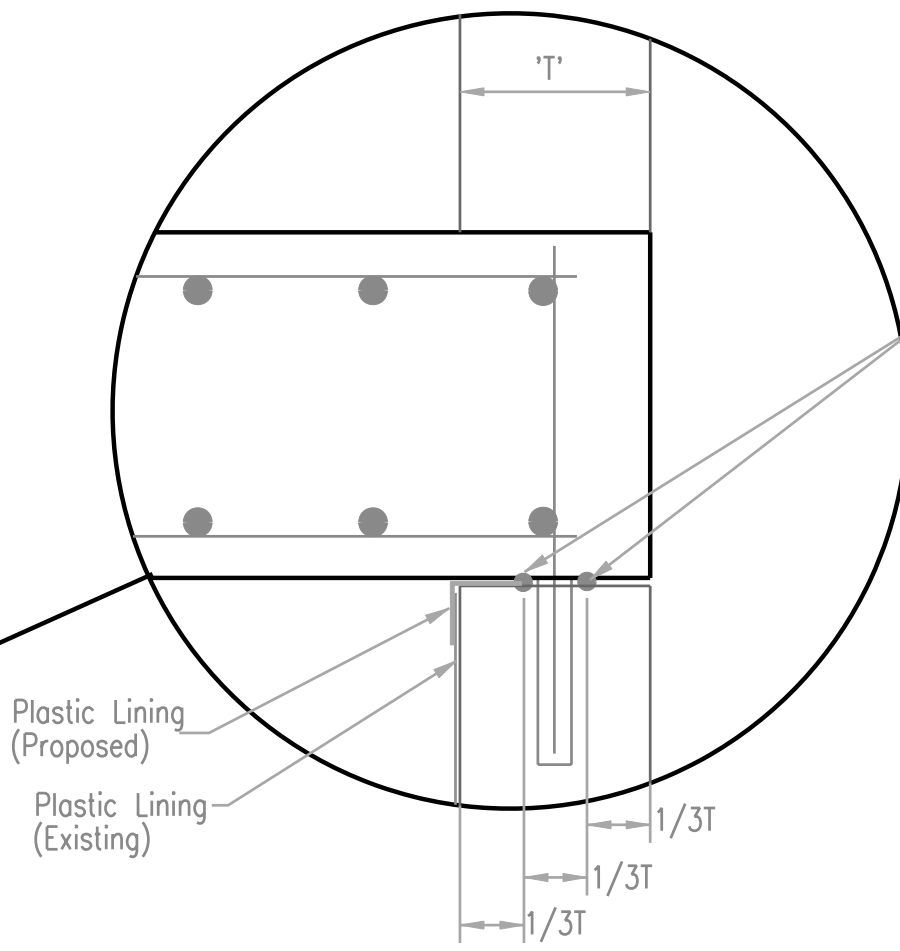


| FHWA REGION NO. | STATE | PROJECT NO. | YEAR | SHEET NO. | TOTAL SHEETS |
|-----------------|--------|-----------------|------|-----------|--------------|
| 7 | KANSAS | 54-87 K-6657-01 | 2002 | 146 | 1122 |



*If existing MH contains Plastic Liner:
The Contractor shall weld plastic liner to the existing liner to provide overlap as shown. Liner welds shall be accomplished in accordance with manufacturers recommendations. Clean and apply Raven 405 high build epoxy on top surface of existing concrete structure. (minimum thickness= 2.540mm (100 mils) wet film thickness)

*If existing MH contains Epoxy Coating:
The Contractor shall clean and apply Raven 405 high build epoxy to newly exposed top surface as well as the existing MH walls and invert below this surface.



Install 2 strips of Butyl-rubber jointed sealing compound per standard manhole details.

Proposed Concrete slab shall be coated with Raven 405 high build epoxy (minimum thickness= 2.540mm (100 mils) wet film thickness) on side abutting existing manholes. Bituminous coating shall be applied to all exterior surfaces of proposed concrete slab. All coatings shall be applied only after the project inspector has made a visual inspection of the slab and given his/her approval.

Remove and dispose of Cone and barrel section to an elevation approx. 1.5M(4') above invert. If existing MH is precast, remove barrel and cone section to MH base section.

#19 (#6) @ 150mm (6") Eo. way Top & Bottom of new slab

#19 (#6) x 450mm (18") dowel and epoxy grout into existing concrete manhole. (one dowel at each corner of manhole- 4 dowels total)

Contractor shall expose the manhole structure and verify its type (brick, pre-cast, cast-in-place) and dimensions. The physical condition of the structure shall be inspected by a representative of the City of Wichita Water and Sewer Department and reported to the engineer prior to constructing slab.

NOTE:
ALL WORK, MATERIALS, EQUIPMENT, TOOLS, AND INCIDENTALS NECESSARY TO COMPLETE THE MANHOLE CLOSURE SHALL BE CONSIDERED SUBSIDIARY TO OTHER CONTRACT ITEMS.

MANHOLE CLOSURE DETAIL
NO SCALE

NOTES:
ALL EXCAVATION SHALL BE BACKFILLED WITH FLOWABLE FILL.
A REPRESENTATIVE OF THE CITY OF WICHITA WATER AND SEWER DEPARTMENT SHALL BE PRESENT DURING MANHOLE CLOSURE. CONTACT MR. BILL PERKINS AT (316) 268-4555 FOR COORDINATION.

CONTRACTOR IS REQUIRED TO MAINTAIN CONTINUOUS FLOW OF SEWAGE IN EXISTING MAIN AT ALL TIMES.

CLOSURE SEQUENCE:
Recommended Closure Sequence is provided below. If contractor varies from this sequence, it shall be submitted to the Engineer for approval prior to beginning construction. All items listed in the sequence shall be accomplished per the detail.

- 1.) Remove and dispose of barrel and cone sections.
- 2.) Inspect physical condition of concrete structure.
- 3.) Provide coating on top of existing structure (entire structure if existing is epoxy coated).
- 4.) Provide minimum overlap of plastic liner (only if plastic liner exists).
- 5.) Coat Pre-cast slab after it has been inspected and accepted.
- 6.) Install slab on existing concrete structure, as shown in the Manhole Closure Detail.
- 7.) Provide flowable fill from the top of Precast Concrete slab to the existing ground elevation.

DSNR: KJW OPER: AUTDSJU SCALE: 1=0.02
 I:/1997/97362/As-Builts/dwg/Sh_146-mhdls.dwg Last Rev. 10-15-07 By: gdr

RECORD DRAWING

| No. | Revisions | By | Date |
|-----|-----------|----|------|
| 1 | | | |

CITY OF WICHITA, KANSAS

MANHOLE CLOSURE DETAIL

SEDGWICK COUNTY

Professional Engineering Consultants, P.A.
 303 S. TOPEKA • WICHITA, KANSAS 67202
 316-262-2491 • FAX 316-262-3003

| | | | |
|-------------|-----|------------|-------------|
| Designed by | KJW | Checked by | MDK |
| Drawn by | TDS | Date | APRIL, 2002 |
| | | Job No. | 97362 |