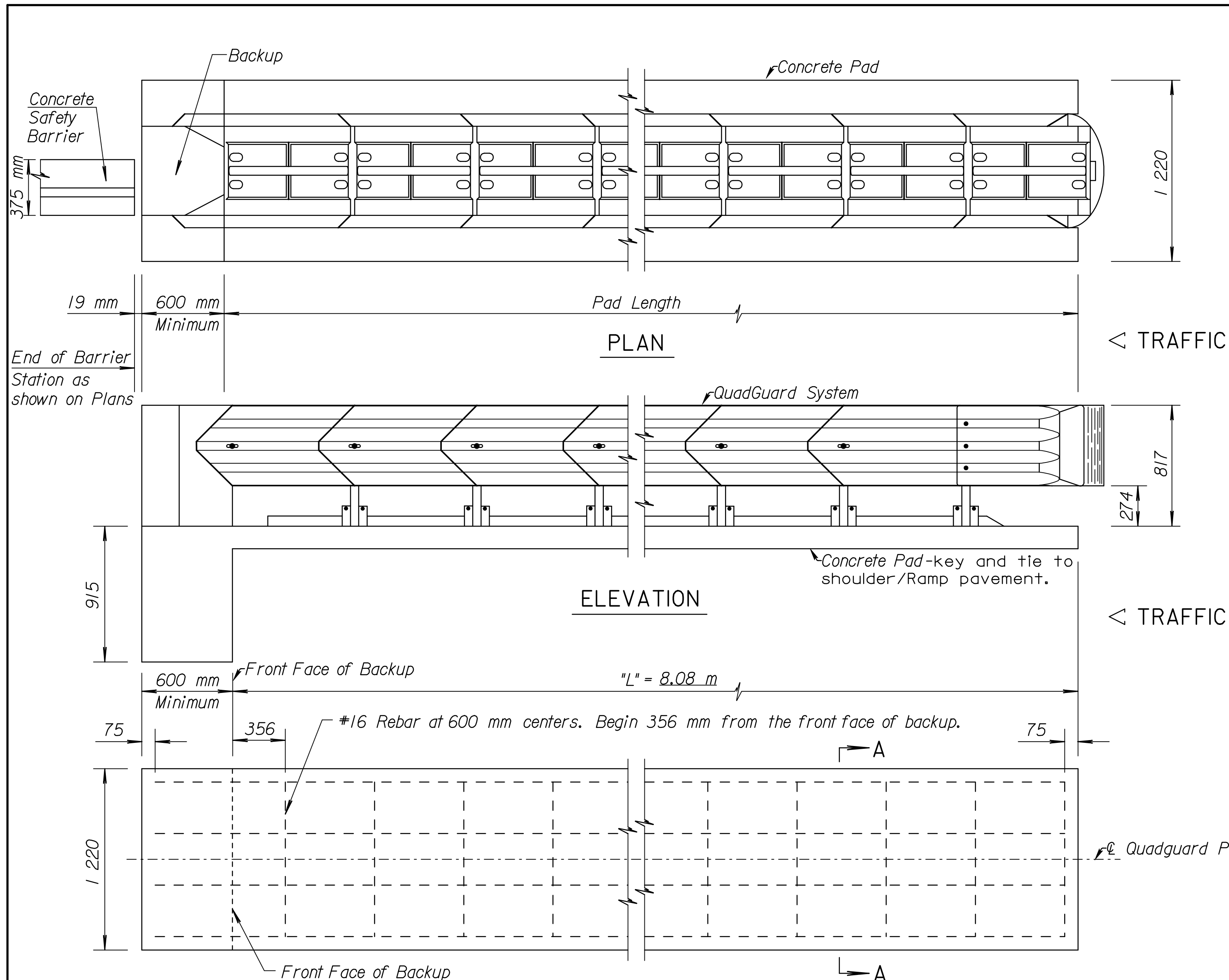
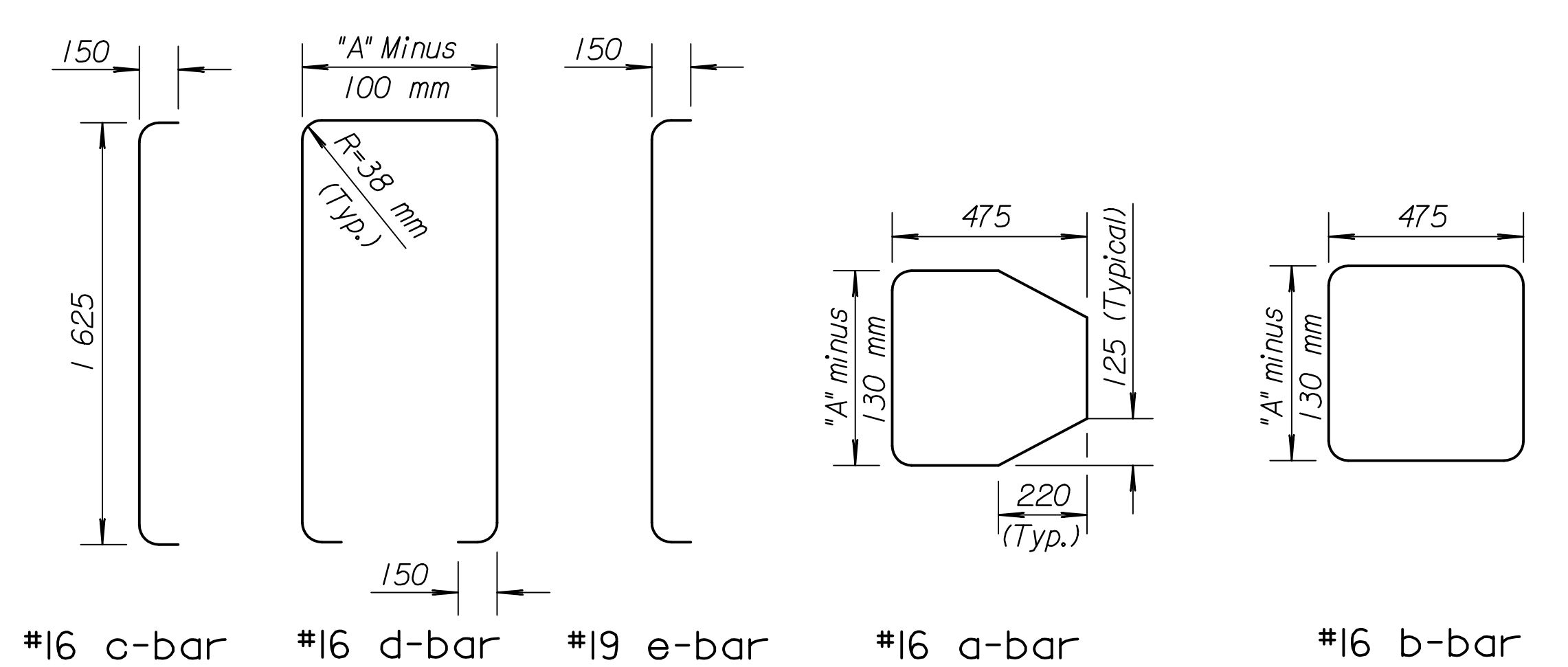


FHWA REGION NO.	STATE	PROJECT NO.	YEAR	SHEET NO.	TOTAL SHEETS
7	KANSAS	54-87 K-6657-01	2002	236	1122

Note to the Designer: The designer shall be responsible for designating dimensions "A" and "L" and the QuadGuard model number.

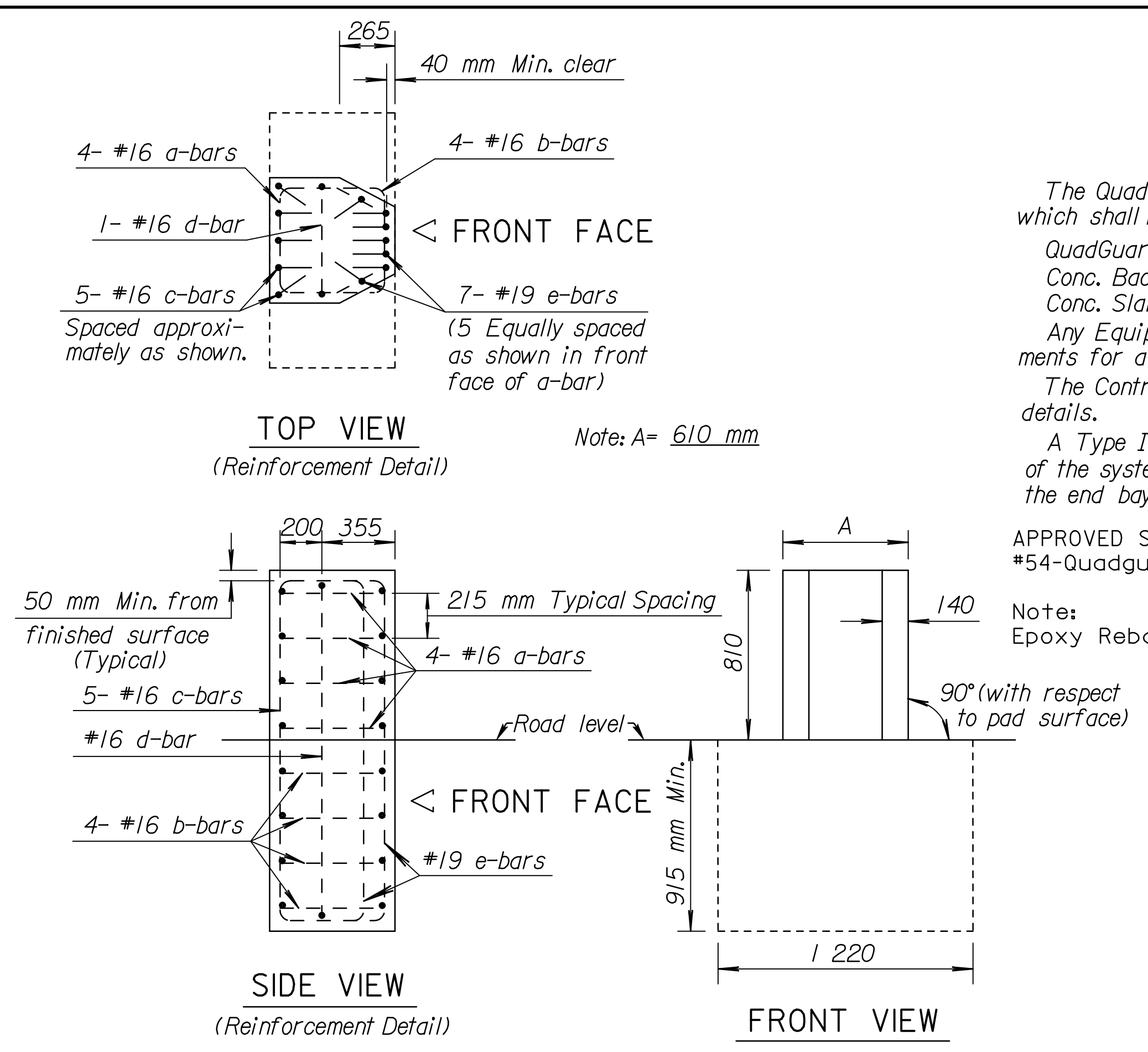


Note: Cross slope of pad shall not exceed 8% and not vary more than 2% from front to back.  
Pad and Backup Block should be tied together & poured monolithically. Concrete for pad and backup block shall have a minimum compressive strength of 28 MPa.

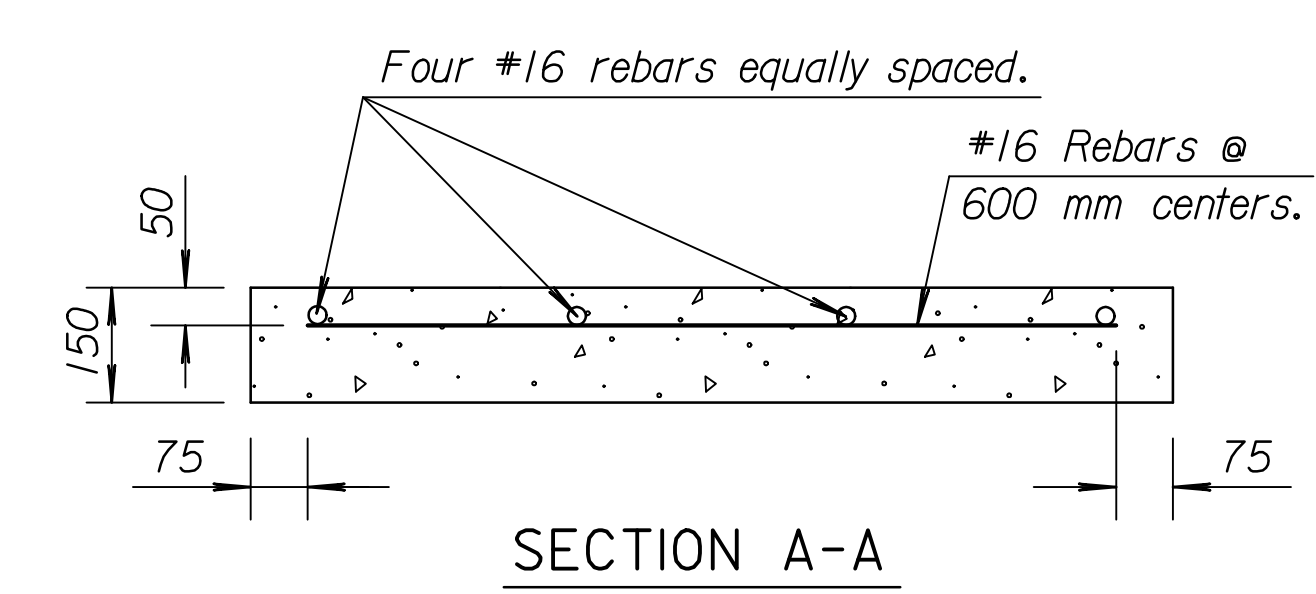


BENDING DIAGRAMS

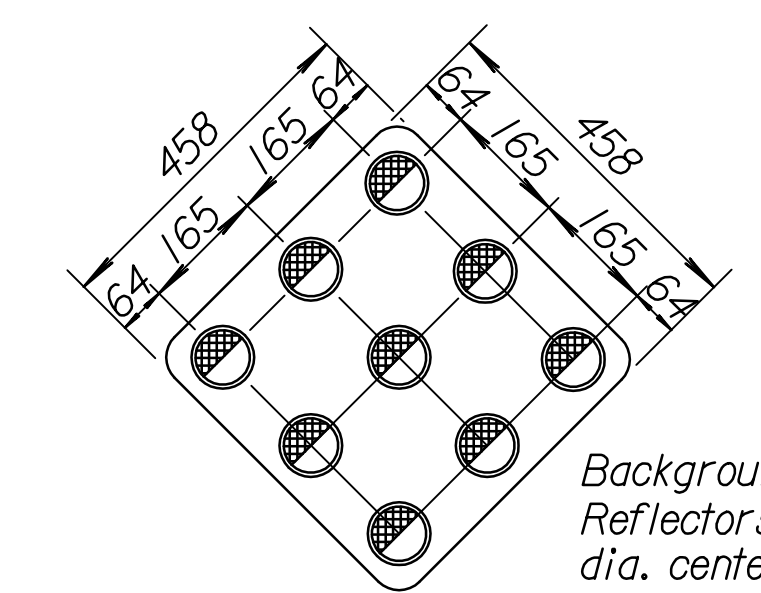
All dimensions are out-to-out on bars unless otherwise noted.



CONCRETE BACKUP DETAILS



SECTION A-A



TYPE I OBJECT MARKER

Aluminum Sign Blanks shall be ASTM B-209 (H), Alloy 6061-T6, 5154-H38, or 5052-H38. All holes shall be 10mm in diameter.  
The 83 mm diameter yellow button delineator shall comply with the Standard Specifications.  
The type of adhesive used for reflective sheeting shall be heat activated or pressure sensitive.  
Sign face shall be covered with regular performance reflective sheeting.

**GENERAL NOTE**  
The QuadGuard System shall consist of the following items which shall be considered *Subsidiary*.  
QuadGuard Model Number QS2408Y.  
Conc. Backup Wall Assembly  
Conc. Slab for Assembly  
Any Equipment necessary to meet the Manufacturer's requirements for a complete and functioning system.  
The Contractor shall refer to Special Provisions for additional details.  
A Type I Object Marker shall be attached at the approach end of the system. The Object Marker shall be bolted or riveted to the end bay.

APPROVED SUBMITTAL:  
\*54-Quadguard System-QS2404, QS2406 and QS2408.

Note:  
Epoxy Rebar requested on 2-5-03, for Concrete Backup.

3					
2					
1					
NO.	DATE	REVISIONS	BY	APP'D	

KANSAS DEPARTMENT OF TRANSPORTATION					
<b>IMPACT ATTENUATOR QUADGUARD SYSTEM</b>					
<b>RD637S1</b>					
FHWA APPROVAL	2-12-01	APP'D.	James O. Brewer		
DESIGNED	DETAILED	QUANTITIES	TRACED	Bowser	
DESIGN CK.	DETAIL CK.	QUAN. CK.	TRACE CK.	Seltz	

**RECORD DRAWING**

DSMR: OPER: S1B SCALE: 1:1/991/91362/As-Built/dgn/sr/236-RD01\_S1d-RD637S1.dgn Last Rev: 8-21-07 By: gar