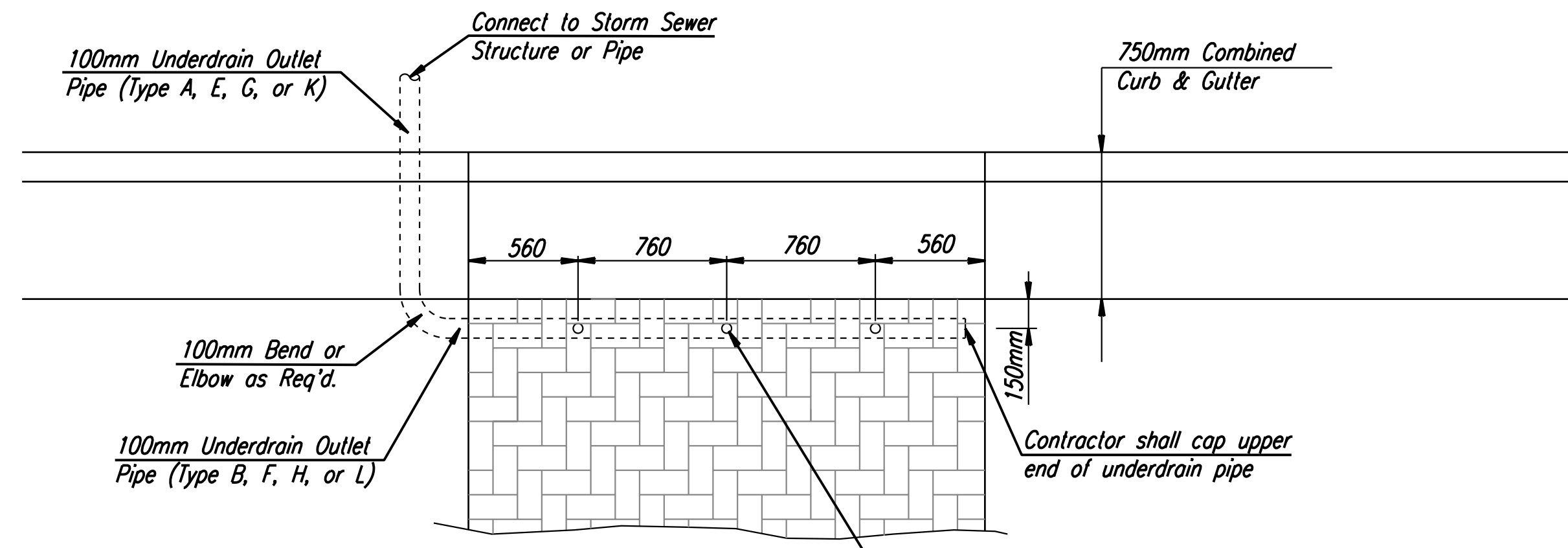


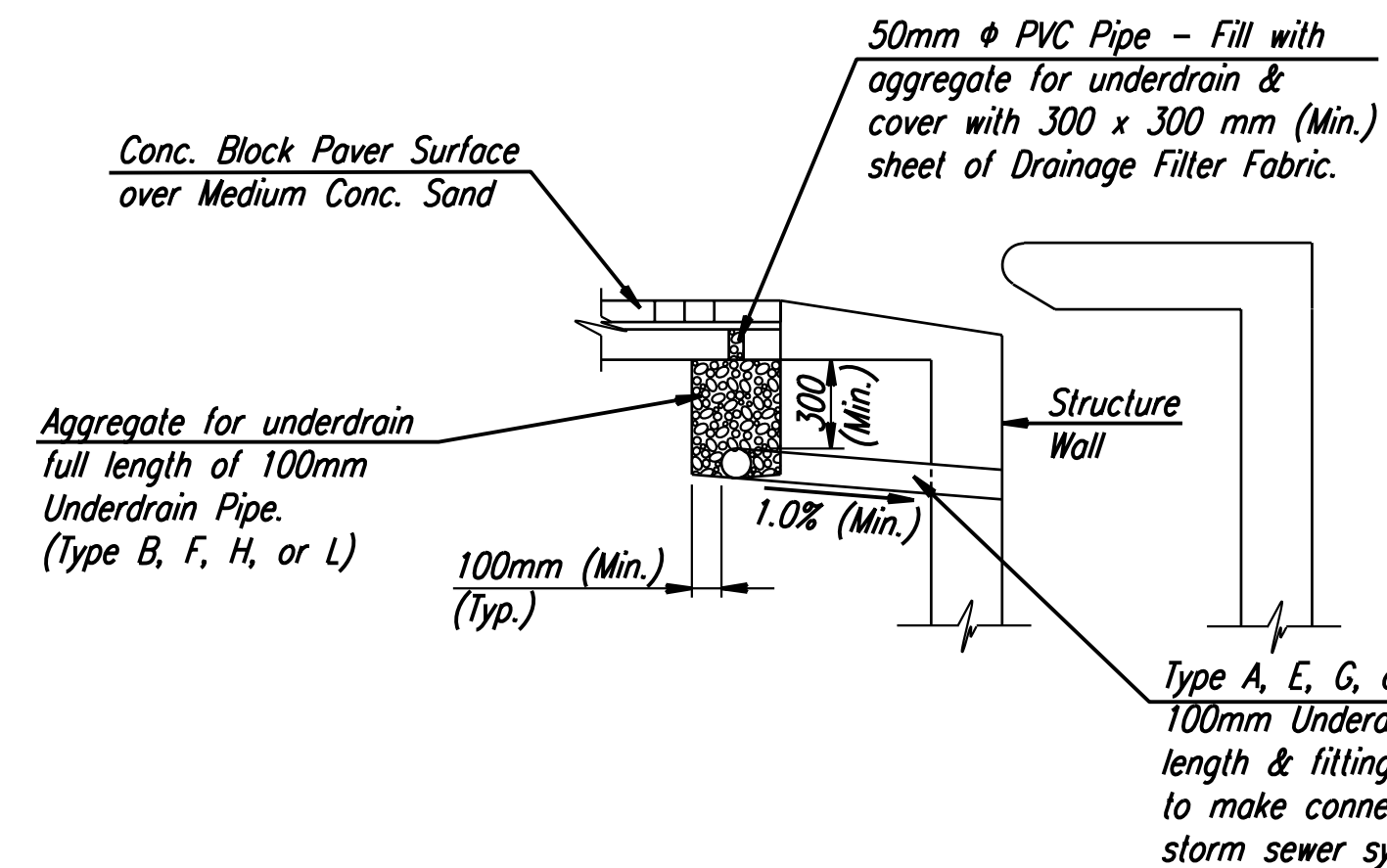
FHWA REGION NO.	STATE	PROJECT NO.	YEAR	SHEET NO.	TOTAL SHEETS
7	KANSAS	54-87 K-6657-01	2002	130	1122

DATE	
BY	
REFERENCES NOTED	
REFERENCES CHECKED	

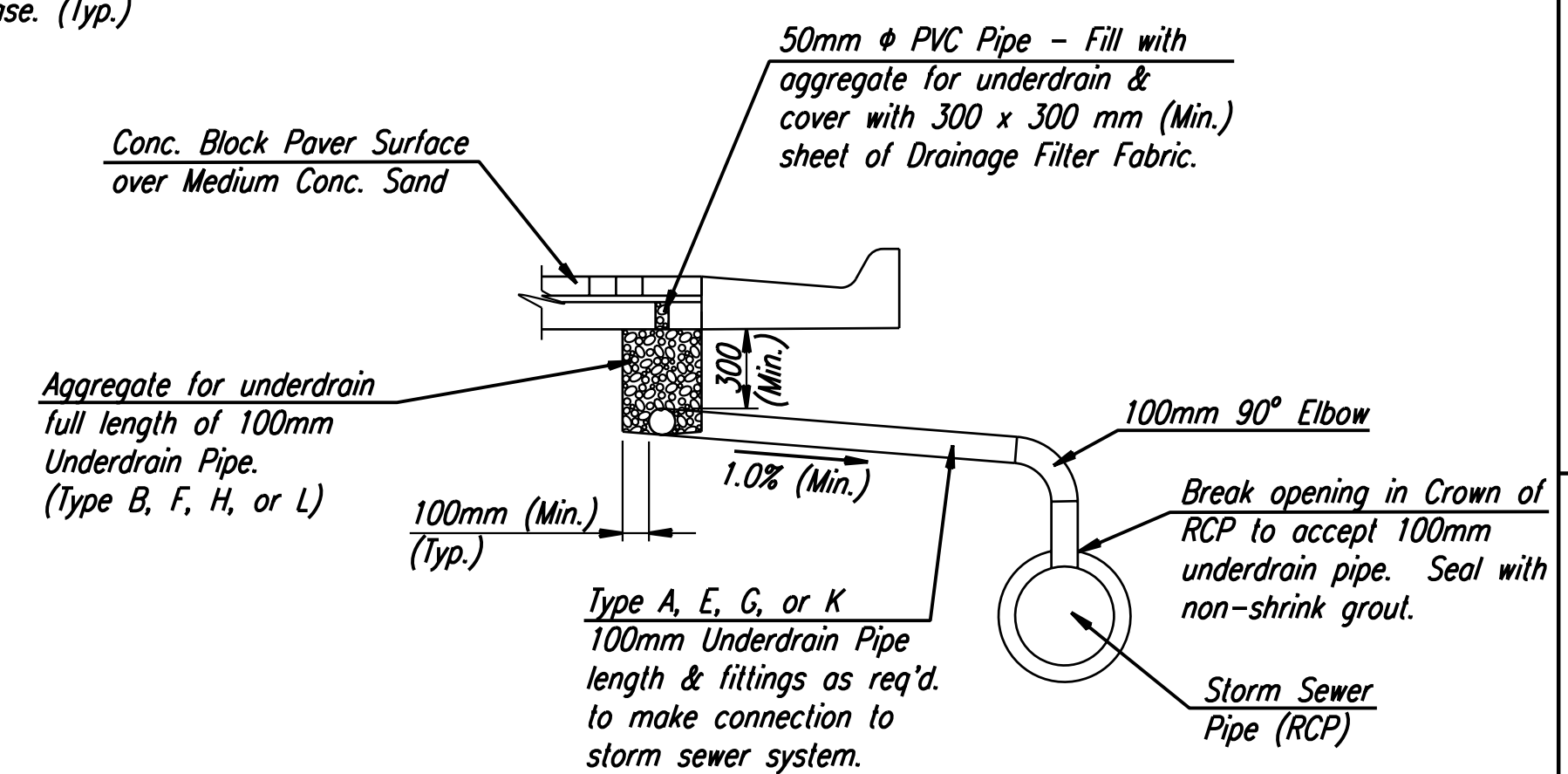


PLAN

50mm PVC Pipe placed in 180mm Reinforce Concrete Base at low edge of pavement. Fill with Aggregate for underdrain. to top of base. (Typ.)



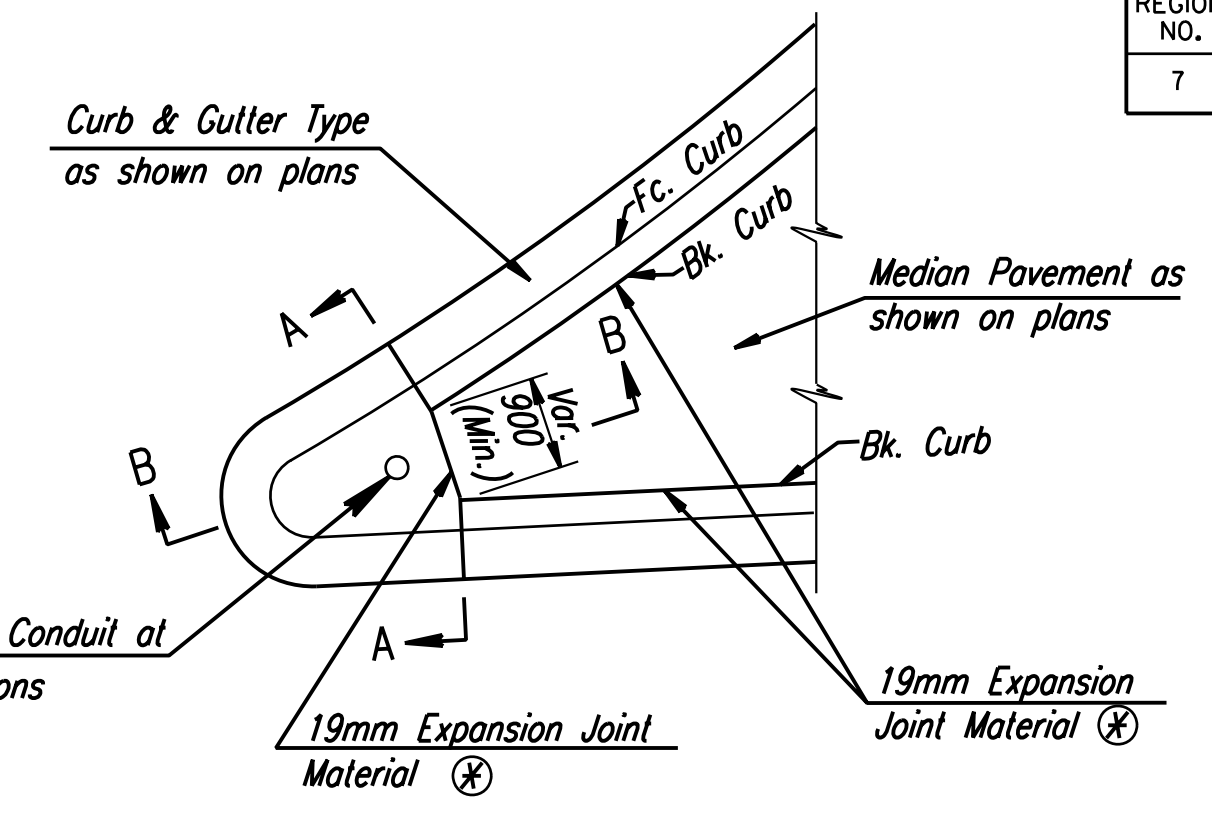
CONNECTION TO INLET, MANHOLE OR RCB



CONNECTION TO STORM SEWER PIPE

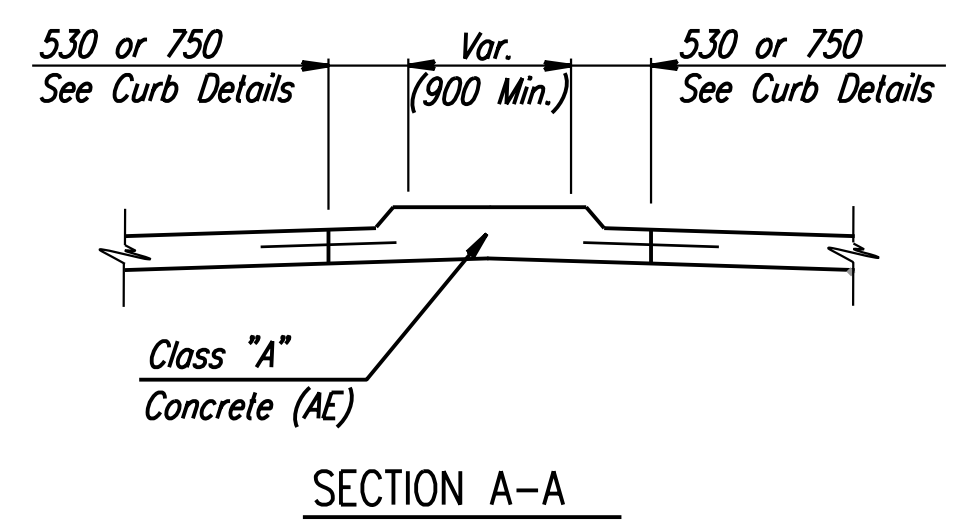
Note: All materials, tools, labor, & incidentals necessary to construct the underdrain system & connect it to the storm sewer at each location shall be subsidiary to the contract bid item "Paving Brick (Crosswalk)".

UNDERDRAIN DETAILS (CROSSWALK)

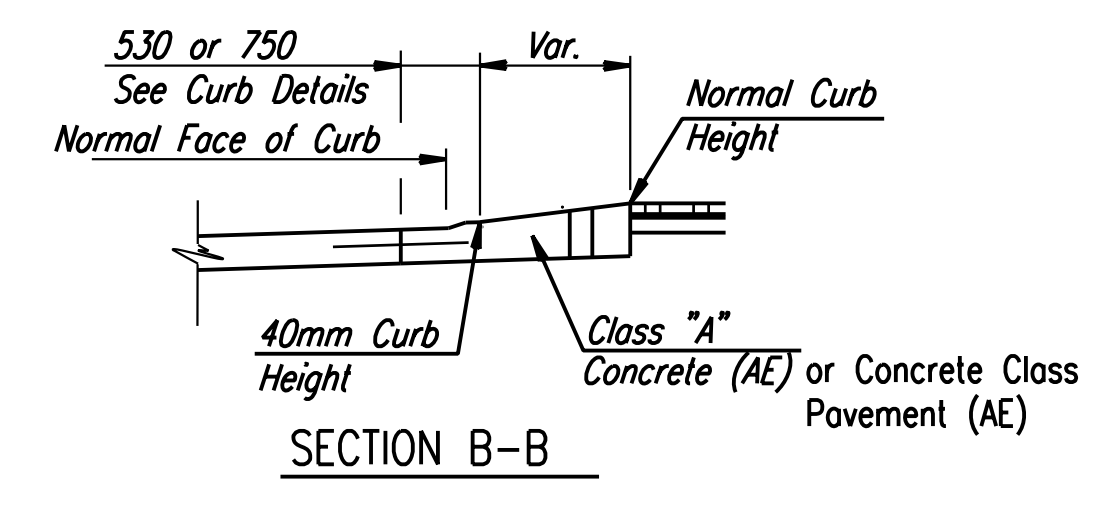


PLAN

Median noses shall be paid for as linear meters of "Curb & Gutter (Combined)" measured along the face of curb. Additional concrete, labor, equipment, & incidentals necessary to complete the median noses & transition sections as shown shall be subsidiary to the bid items for "Curb & Gutter (Combined)".

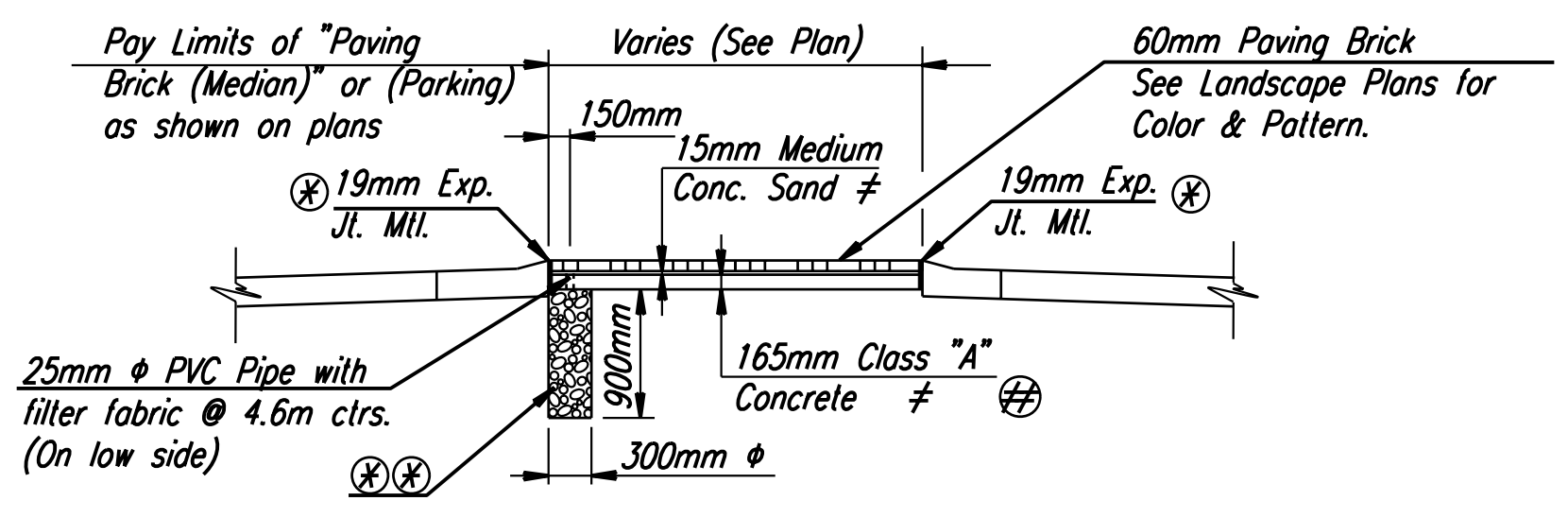


SECTION A-A



SECTION B-B

NOSE DETAILS FOR MEDIANS



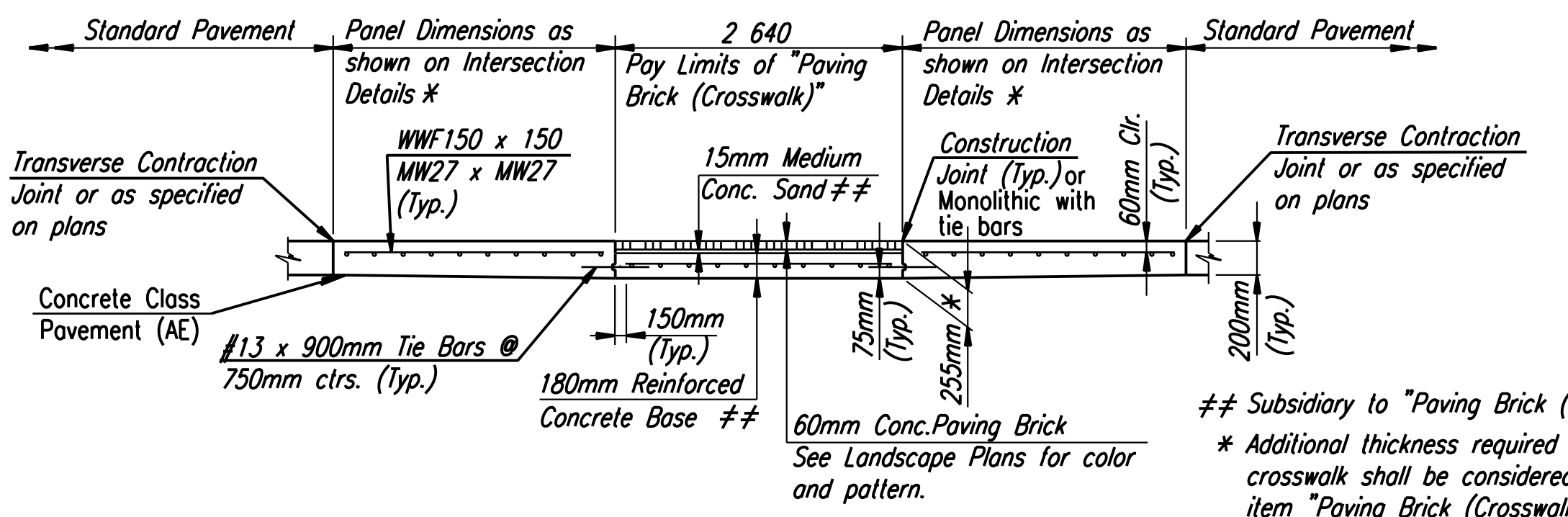
PAVING BRICK (MEDIAN) & (PARKING)

Notes:

Paving Brick (Parking)  
 ⊕ Substitute AB-1 base material where specified as Paving Brick (Parking). Delete 25mm weepholes and underdrain holes. Provide Expansion Joint material between pavers & curb. Contractor substituted 3/4" concrete rock with filter fabric on top for AB-1.

Notes:

Paving Brick (Median)  
 1. Payment for sandbed and Class A Concrete under bricks shall be subsidiary to the bid item "Paving Brick (Median)" or (Parking).  
 2. 25mm diameter weep hole with filter fabric shall be subsidiary to the bid item "Paving Brick (Median)" Omit where "Paving Brick (Parking)" Specified.  
 ⊕ Expansion joint material shall be subsidiary to the bid item "Paving Brick (Median)". Also to be placed between Concrete Base and Back of curb. Omit between Paving Brick and Sidewalk.  
 ⊕⊕ 300mm dia. hole spaced at 4.6m ctrs, filled with underdrain aggregate. Subsidiary. Omit where "Paving Brick (Parking)" Specified.  
 ≠ Subsidiary to "Paving Brick (Median)".



PAVING BRICK (CROSSWALK)

≠ Subsidiary to "Paving Brick (Crosswalk)".  
 \* Additional thickness required for panels adjacent to crosswalk shall be considered subsidiary to the bid item "Paving Brick (Crosswalk)".

RECORD DRAWING

CITY OF WICHITA			
PAVING BRICK & MEDIAN NOSE DETAILS			
SEDGWICK COUNTY			
Professional Engineering Consultants, P.A. 303 S. TOPEKA • WICHITA, KANSAS 67202 316-262-2691 • FAX 316-262-3003			
Designed by	WDH	Checked by	WDH
Drawn by	JGP	Date	April, 2002
		Job No.	97362

DSNR: WDH OPER: JGP SCALE: 1:50  
 I:/1997/97362/As-Builts/dgn s/5h 1.30-brick&meddtls.dgn Last Rev: 8-14-07 By: gdr