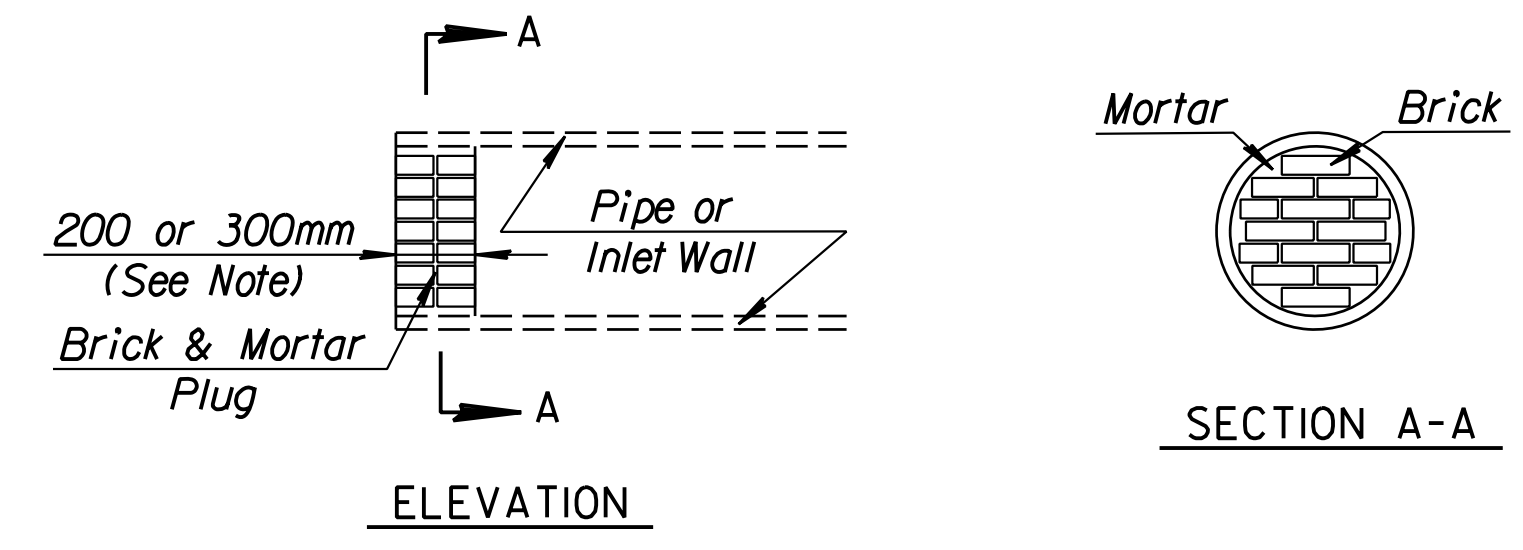
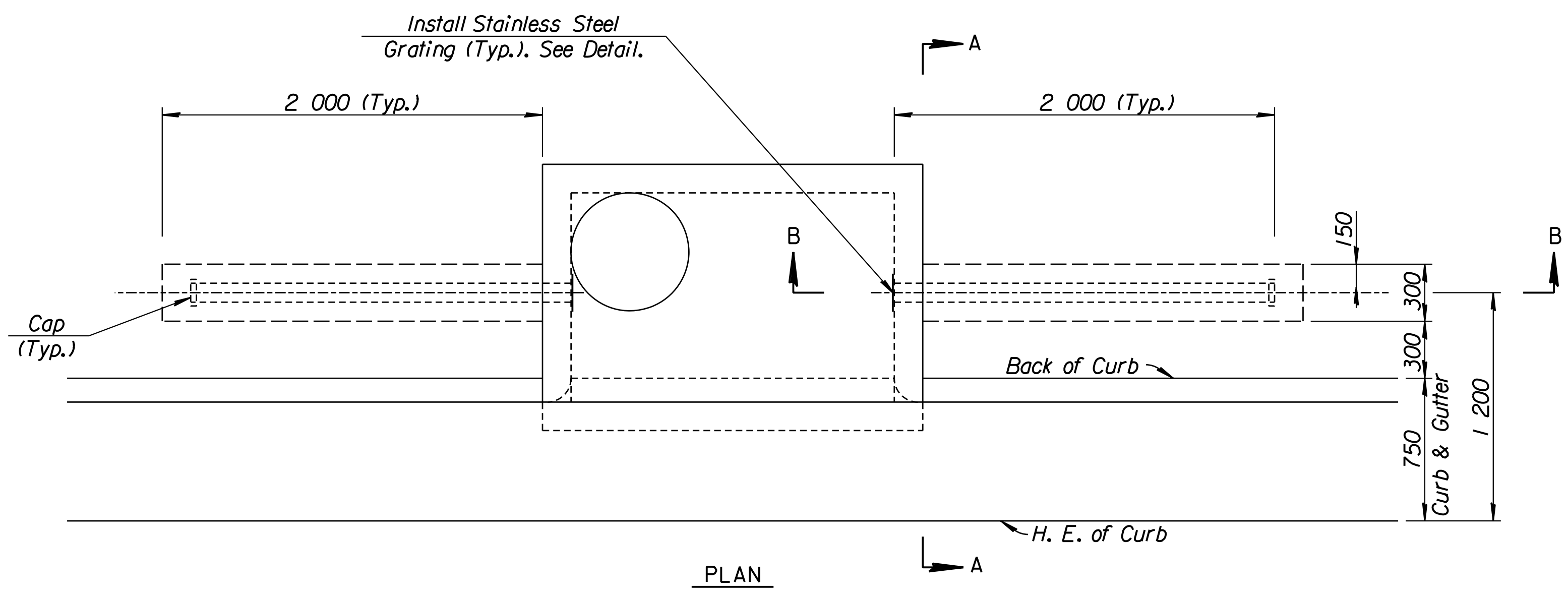


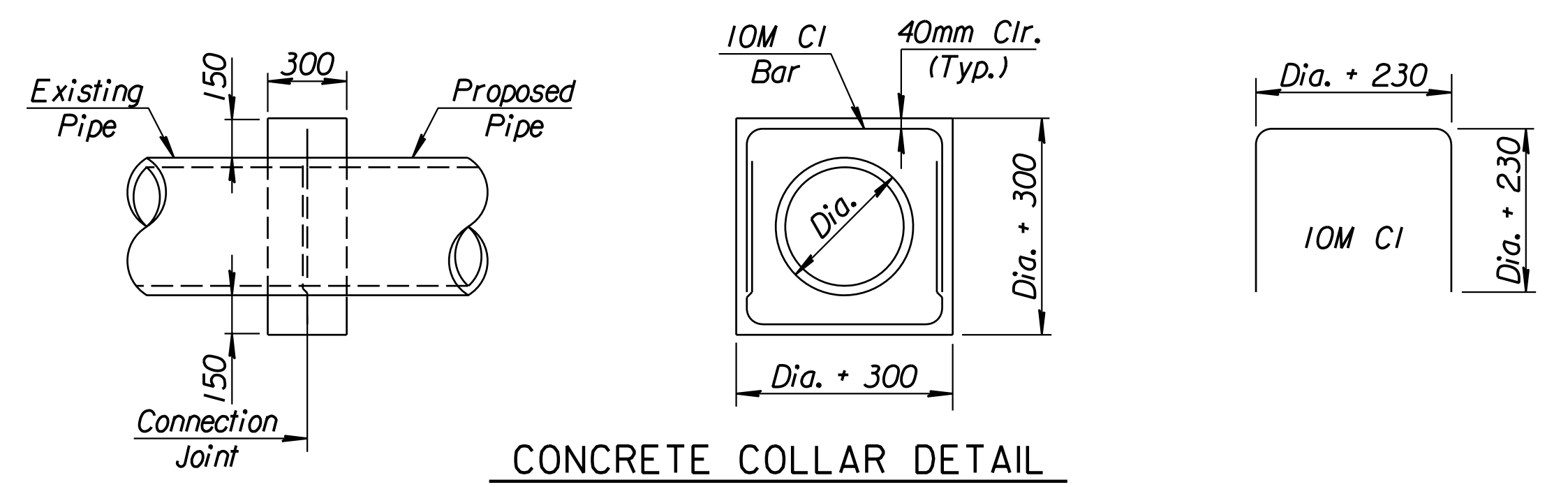
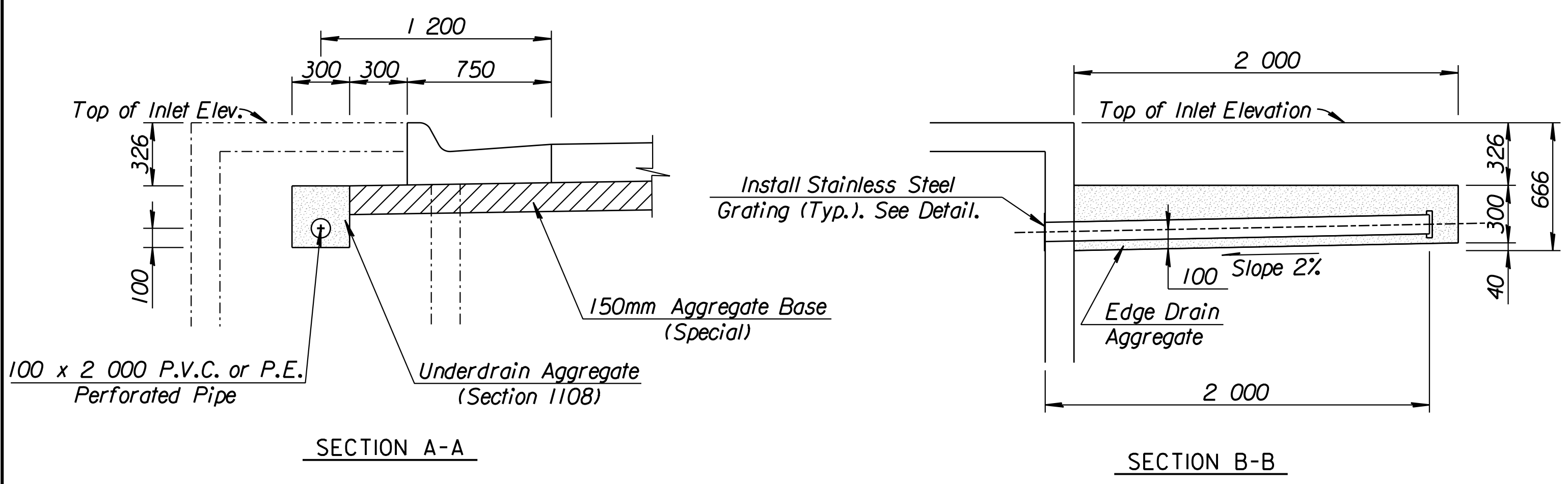
PROJECT NO.	YEAR	SHEET NO.	TOTAL SHEETS
54-87 K-6657-01	2002	143	1122

DATE	
BY	
REFERENCES NOTED	
REFERENCES CHECKED	



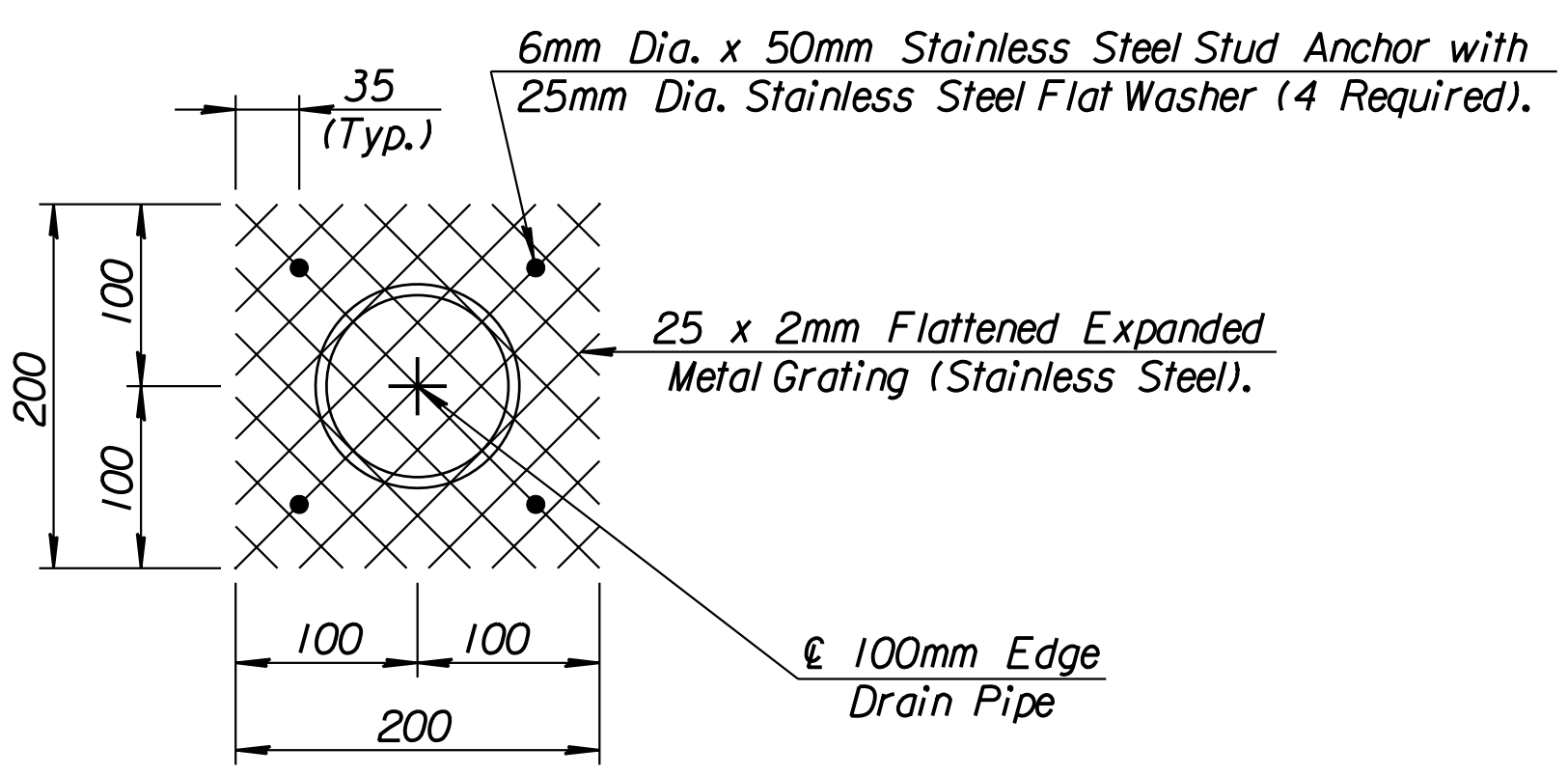
PIPE PLUGGING DETAIL

Pipe plugs shall be constructed of brick masonry, with construction requirements and materials conforming to Section 1300 of the KDOT Standard Specifications. Pipes having diameters of 450mm or smaller shall be plugged with a 200mm thick plug. Pipes having diameters larger than 450mm shall be plugged with a 300mm thick plug. The construction of pipe plugs shall not be paid for directly, but shall be considered Subsidiary to the various pipes or inlets involved.



CONCRETE COLLAR DETAIL

Concrete collars shall be provided at connection to existing conduits where, in the opinion of the Engineer, a collar is required for a satisfactory connection. Class A Concrete or the mix used in concrete pavement shall be used throughout. See bending diagram and views above for reinforcing steel. Concrete collars will not be paid for directly, but shall be considered Subsidiary to the various pipes involved.



EDGE DRAIN GRATING DETAIL
EDGE DRAIN DETAILS AT CURB INLET LOCATIONS ON FRONTAGE & SIDEROADS

Edge drains shall be located on the upstream side of curb inlets on grade and on both sides of curb inlets in sump conditions. Paid for as "100mm Edge Drain Pipe".

RECORD DRAWING

CITY OF WICHITA			
MISCELLANEOUS STORM SEWER DETAILS			
SEDGWICK COUNTY			
PROFESSIONAL ENGINEERING CONSULTANTS, P.A.			
ENGINEERS WICHITA, KANSAS			
Designed by	WDH	Checked by	WDH
Drawn by	JGP	Date	April, 2002
		Job No.	97362

DSNR: WDH OPER: JGP SCALE: 1:1997/97362/As-Builts/dgn s/Sh 143-MISC DRNG.dgn Last Rev: 8-17-07 By: gdr