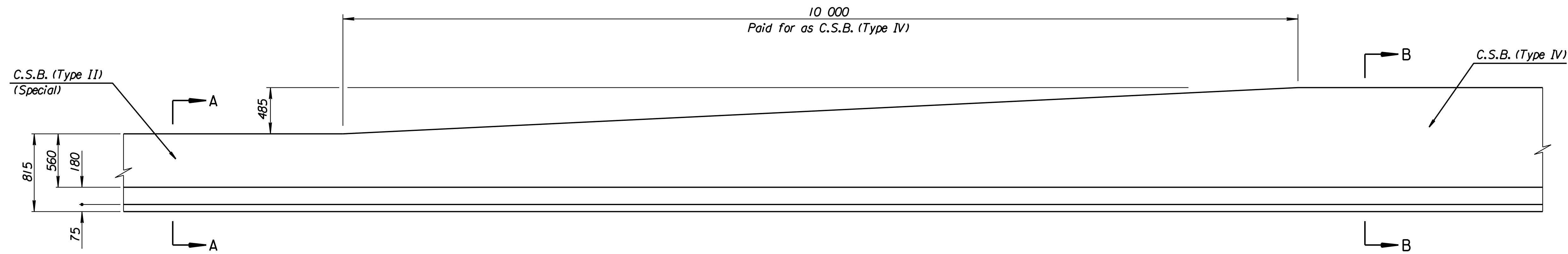


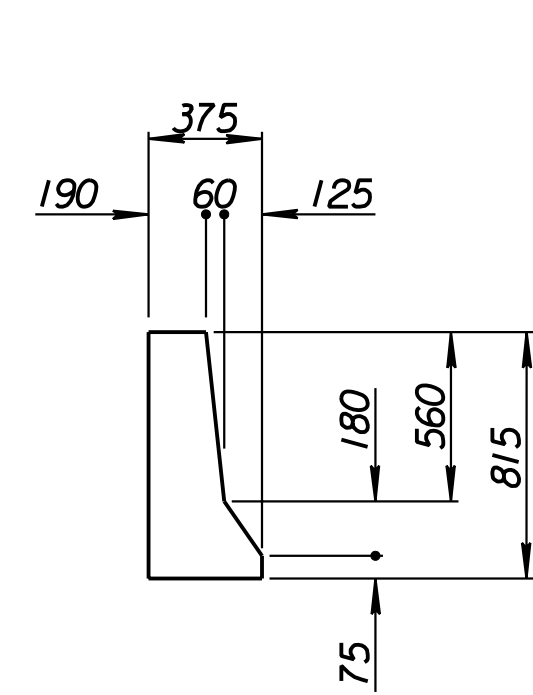
FHWA REGION NO.	STATE	PROJECT NO.	YEAR	SHEET NO.	TOTAL SHEETS
7	KANSAS	54-87 K-6657-01	2002	232	1122



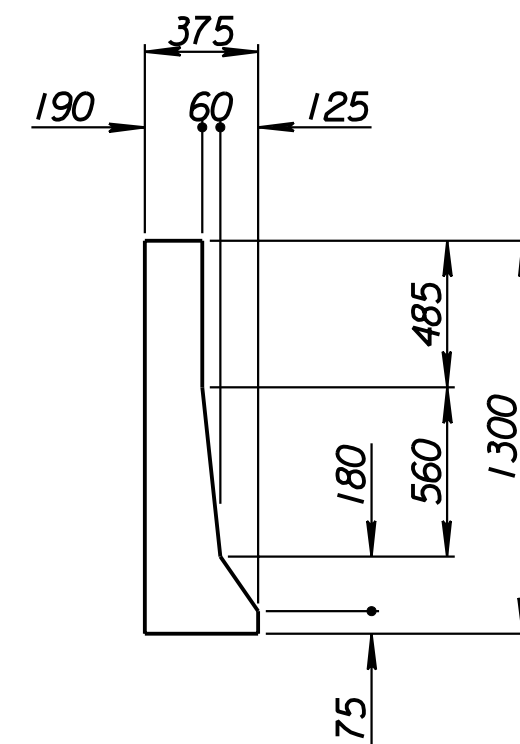
ELEVATION

815 mm Barrier Transition to 1300 mm Barrier.

Note: See concrete safety barrier detail sheet for reinforcing steel in barrier.



SECTION A-A
815 mm Barrier
C.S.B. (Type II) (Special)



SECTION B-B
C.S.B. (Type IV)

DSNR: OPER: JGP SCALE: i:/1997/97362/As-Built/dgn s/Sh_232-barrierd/lls.dgn Last Rev: 8-21-07 By: gdr

RECORD DRAWING

1			
No.	Revisions	By	Date
CITY OF WICHITA CONCRETE SAFETY BARRIER DETAILS TRANSITION 815mm TO 1300mm SEDGWICK COUNTY			
Professional Engineering Consultants, P.A. 303 S. TOPEKA • WICHITA, KANSAS 67202 316-262-2691 • FAX 316-262-3003			
Designed by	R.A.S.	Checked by	R.A.S.
Drawn by	W.L.L.	Date	April, 2002 Job No. 97362