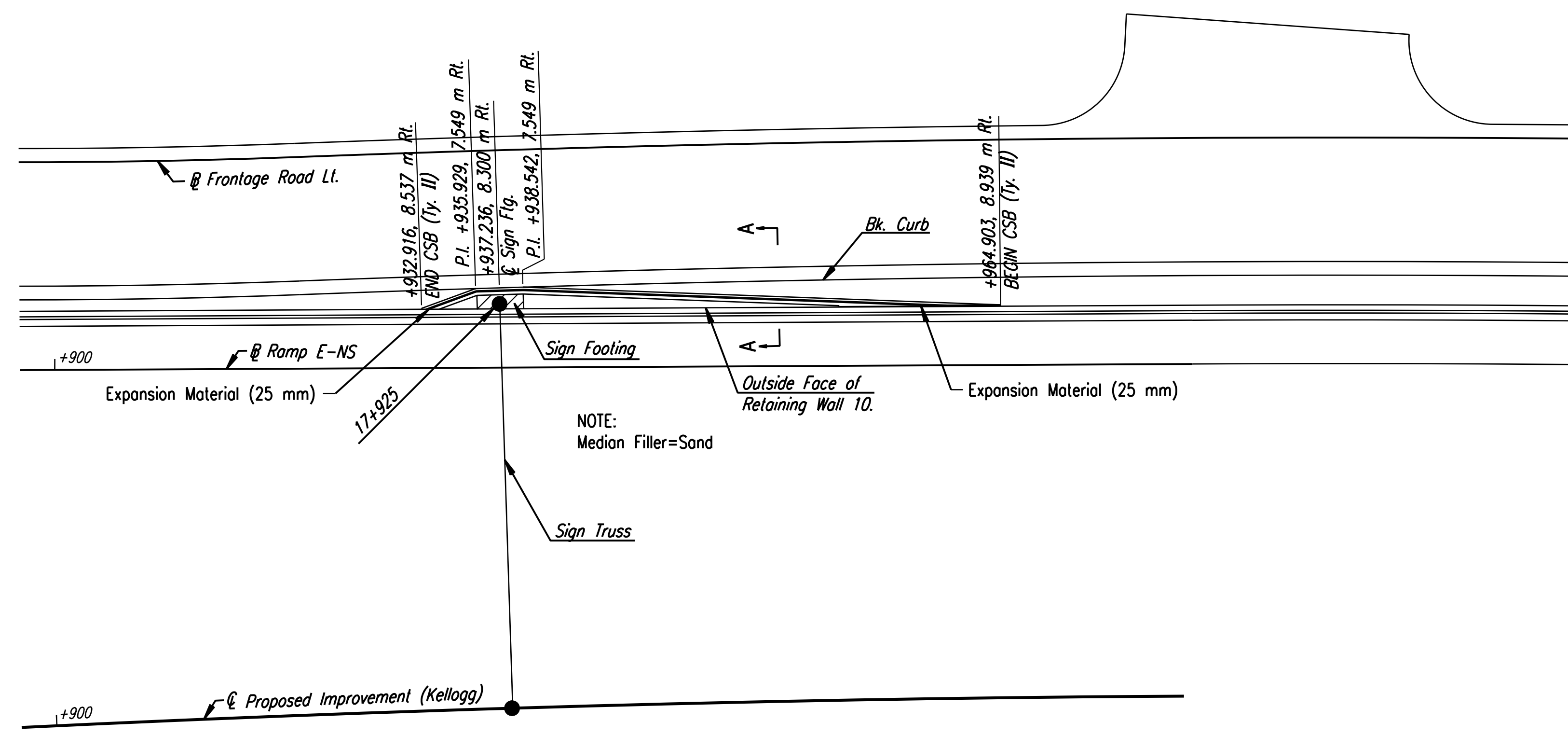
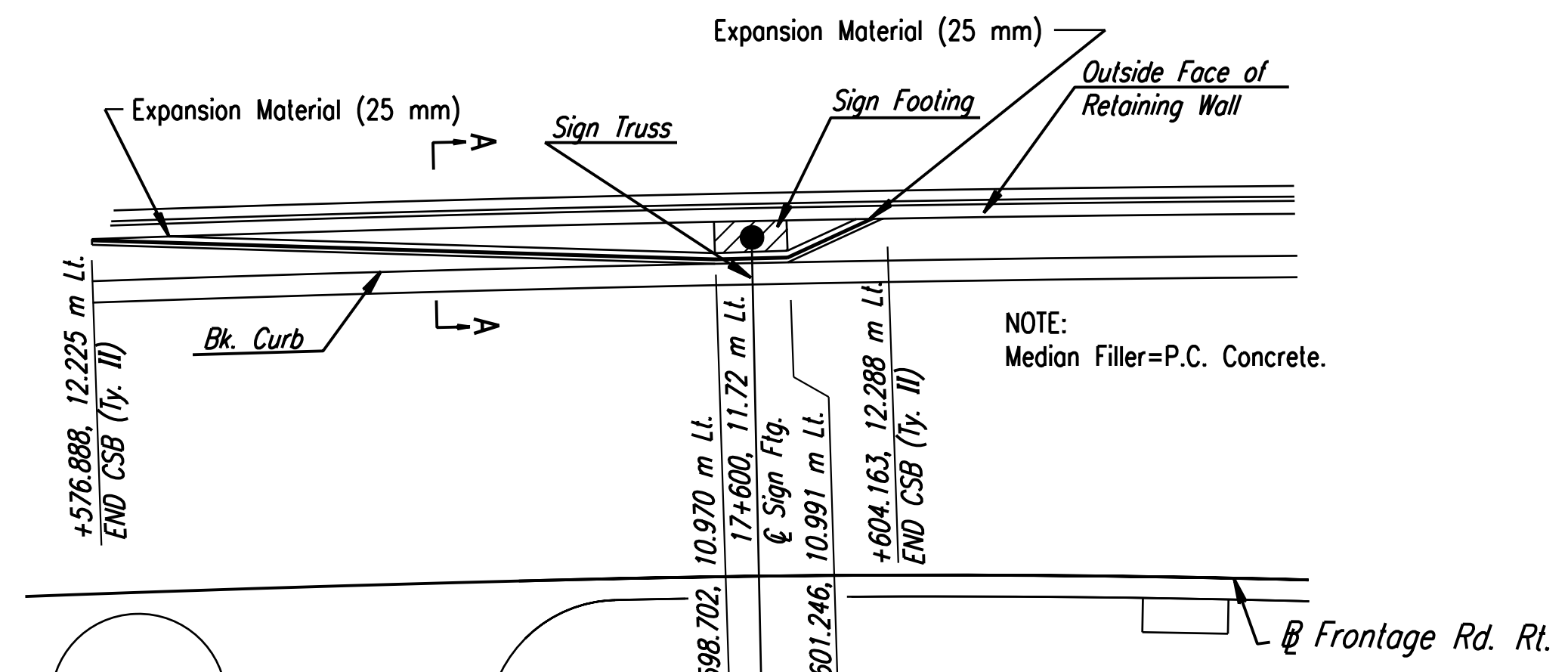


FHWA REGION NO.	STATE	PROJECT NO.	YEAR	SHEET NO.	TOTAL SHEETS
7	KANSAS	54-87 K-6657-01	2002	233	1122

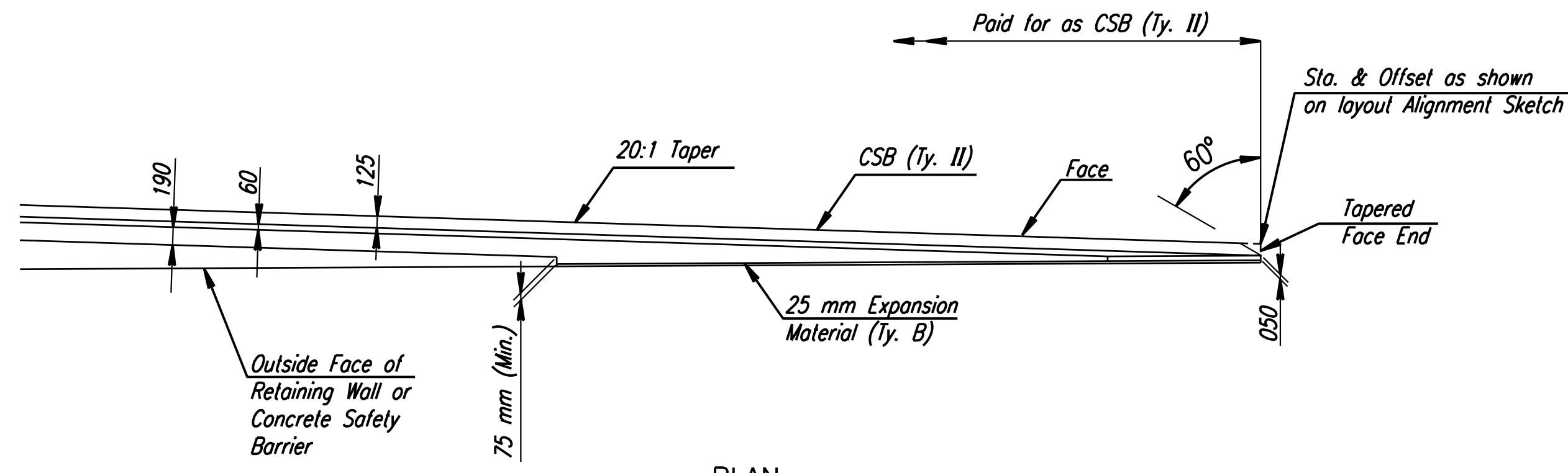
DATE	
BY	
REFERENCES NOTED	
REFERENCES CHECKED	



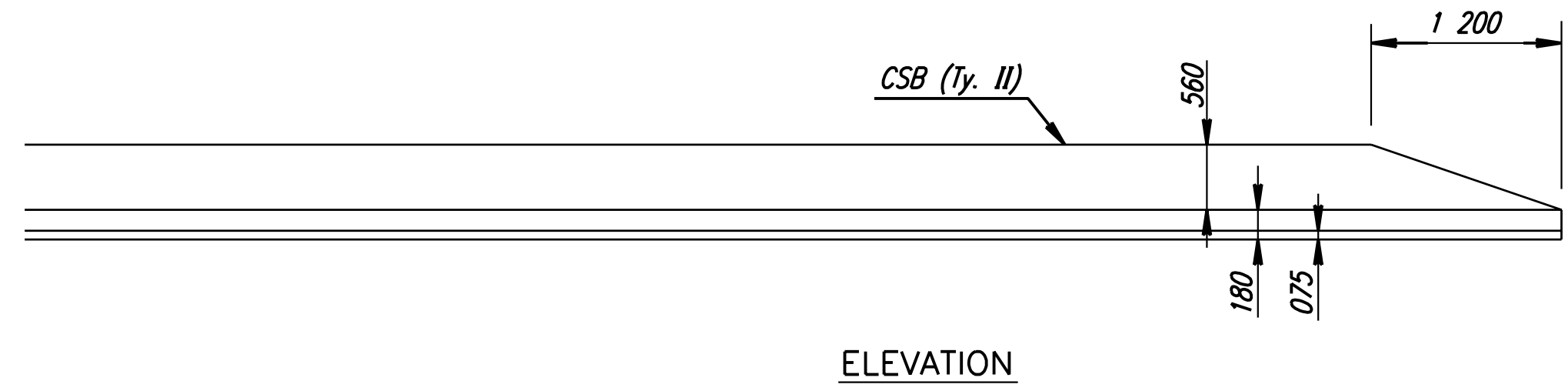
ALIGNMENT SKETCH NO. 1
Kellogg Sta. 17+925



ALIGNMENT SKETCH NO. 2
Fr. Rd. Rt. Sta. 17+600

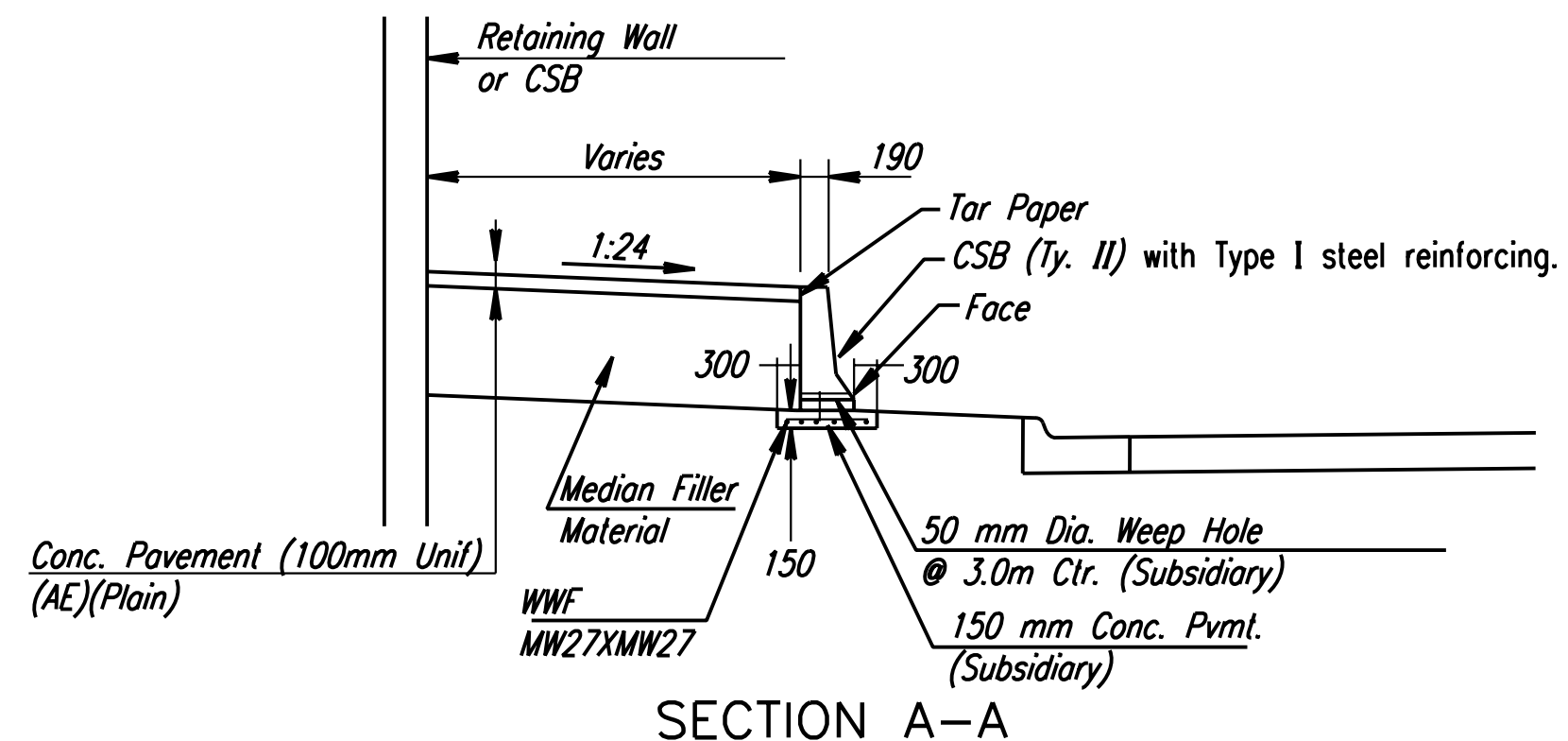


PLAN



ELEVATION

CONCRETE SAFETY BARRIER - APPROACH END TRANSITION DETAIL



SECTION A-A

Note: Concrete Safety Barrier End Transition shall be paid for as CSB (Ty. II) per meter which price shall be full compensation for all materials, tools, labor, equipment, and incidentals necessary to complete the work. See Sh. No. 228 for General Notes.

CITY OF WICHITA			
CONCRETE SAFETY BARRIER FOR SIGN SUPPORT PROTECTION			
SEDGWICK COUNTY			
Professional Engineering Consultants, P.A. 303 S. TOPEKA • WICHITA, KANSAS 67202 316-262-2691 • FAX 316-262-3003			
Designed by	WDH	Checked by	WDH
Drawn by	SVB	Date	April, 2002
		Job No.	97362

DSWR: WDH OPER: SVB SCALE: 1:200
 i:/1997/97362/As-Builts/dgn/s/Sh 233-CSB-SIGNPROTECT.dgn Last Rev: 8-21-07 By: gdr

RECORD DRAWING