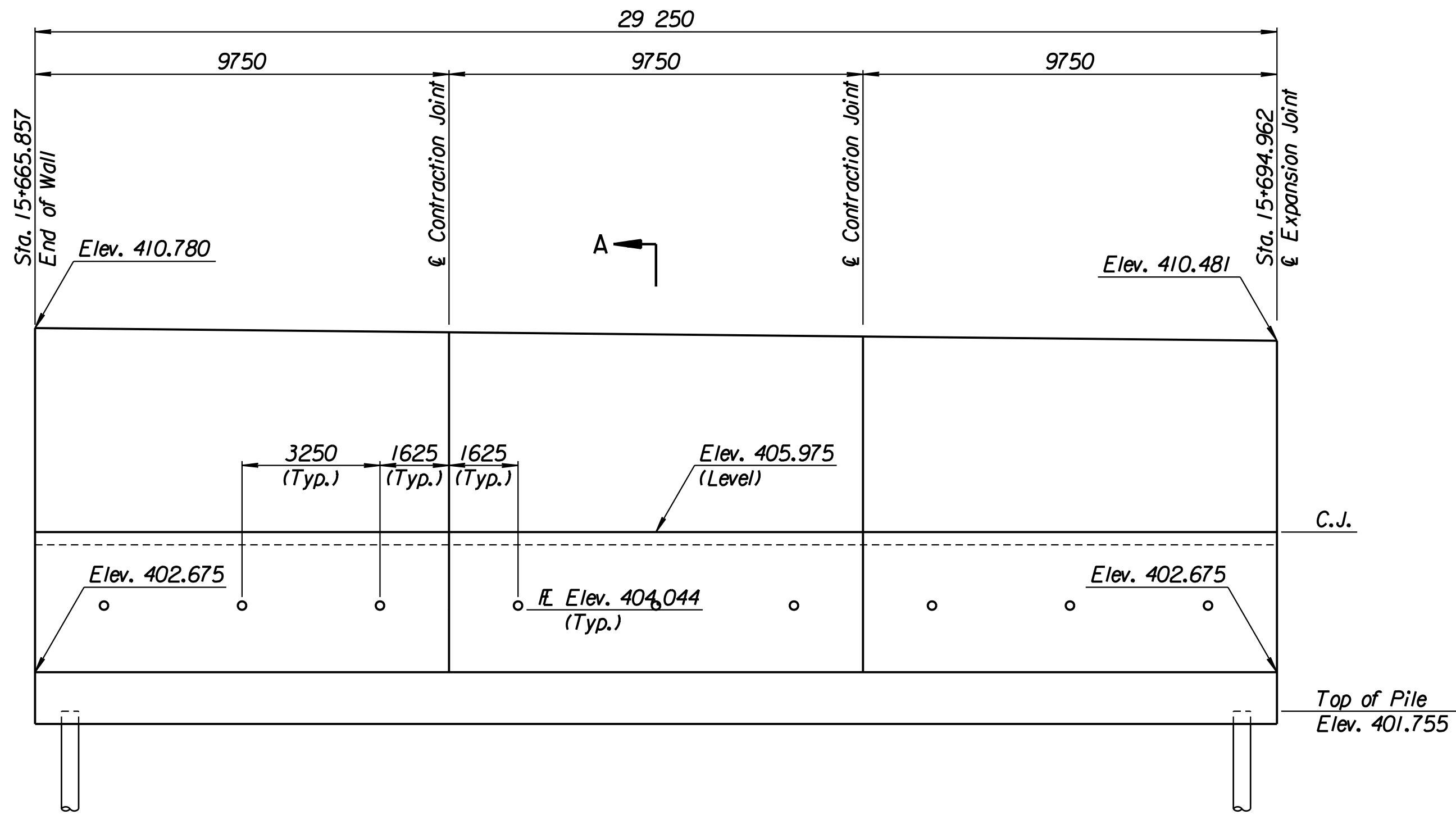


STATE	PROJECT NO.	YEAR	SHEET NO.	TOTAL SHEETS
KANSAS	54-87 K-6657-01	2002	292	1122

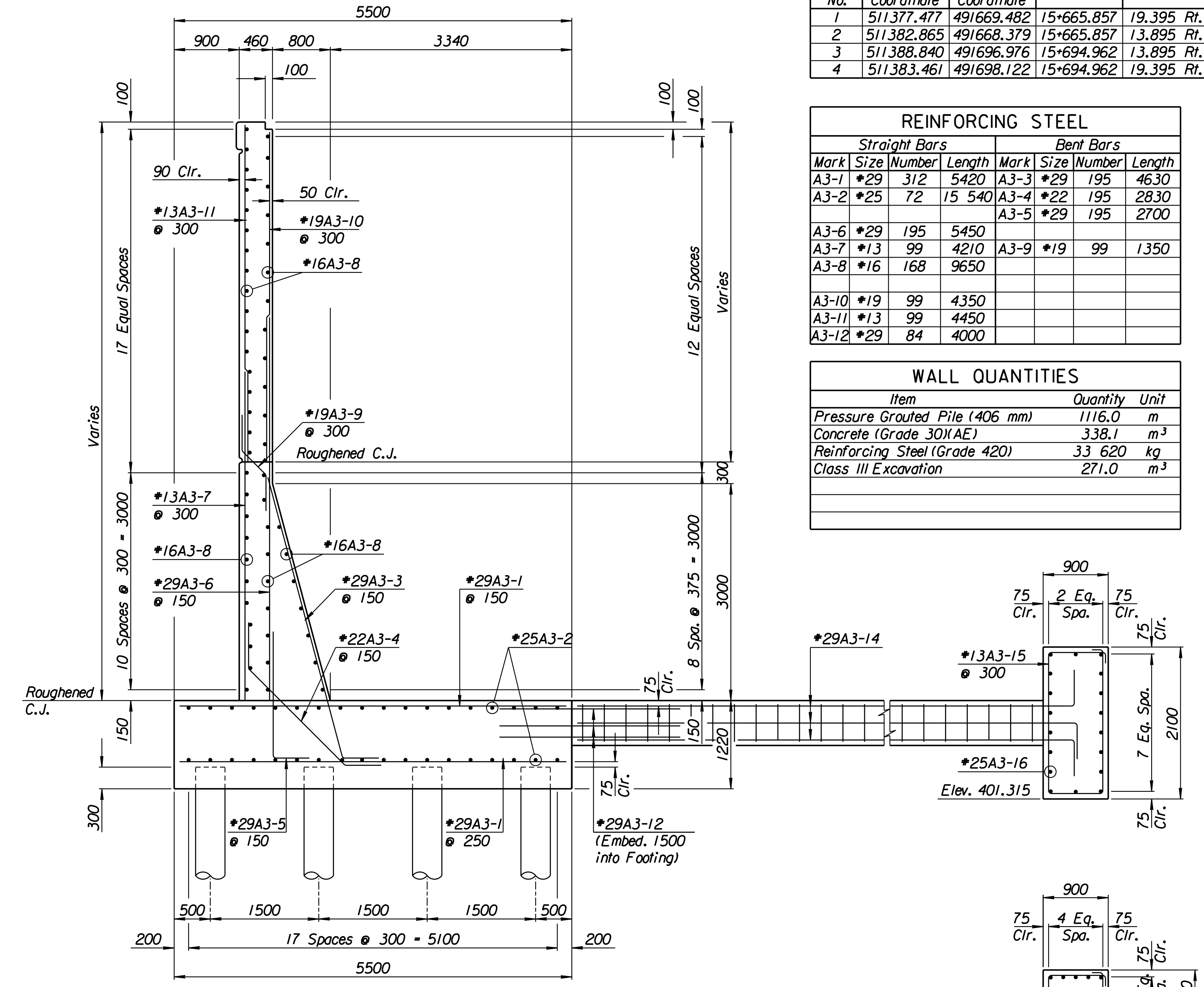
LAYOUT INFORMATION				
Point No.	North Coordinate	East Coordinate	Station	Offset
1	511377.477	491669.482	15+665.857	19.395 Rt.
2	511382.865	491668.379	15+665.857	13.895 Rt.
3	511388.840	491696.976	15+694.962	13.895 Rt.
4	511383.461	491698.122	15+694.962	19.395 Rt.

REINFORCING STEEL							
Straight Bars				Bent Bars			
Mark	Size	Number	Length	Mark	Size	Number	Length
A3-1	*29	312	5420	A3-3	*29	195	4630
A3-2	*25	72	15 540	A3-4	*22	195	2830
A3-6	*29	195	5450	A3-5	*29	195	2700
A3-7	*13	99	4210	A3-9	*19	99	1350
A3-8	*16	168	9650				
A3-10	*19	99	4350				
A3-11	*13	99	4450				
A3-12	*29	84	4000				

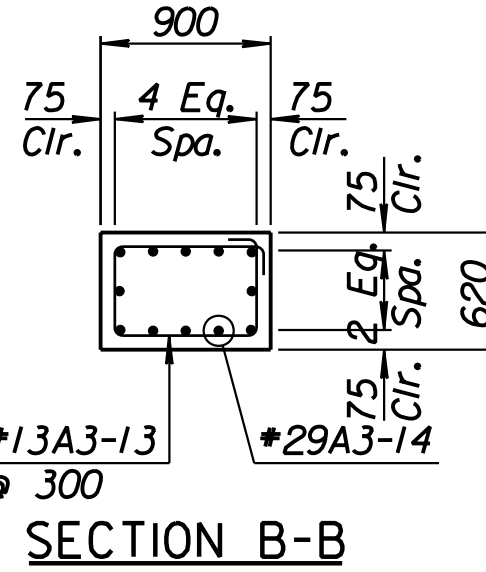
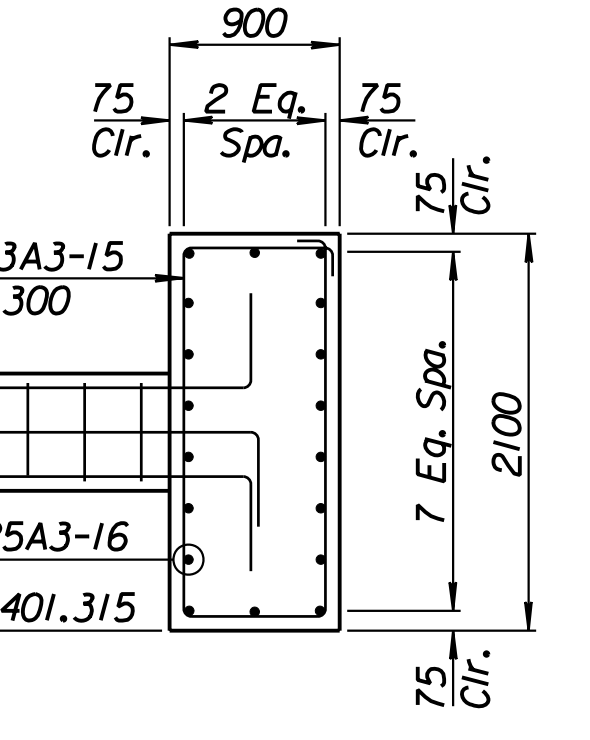
WALL QUANTITIES		
Item	Quantity	Unit
Pressure Grouted Pile (406 mm)	1116.0	m
Concrete (Grade 30)(AE)	338.1	m ³
Reinforcing Steel (Grade 420)	33 620	kg
Class III Excavation	271.0	m ³



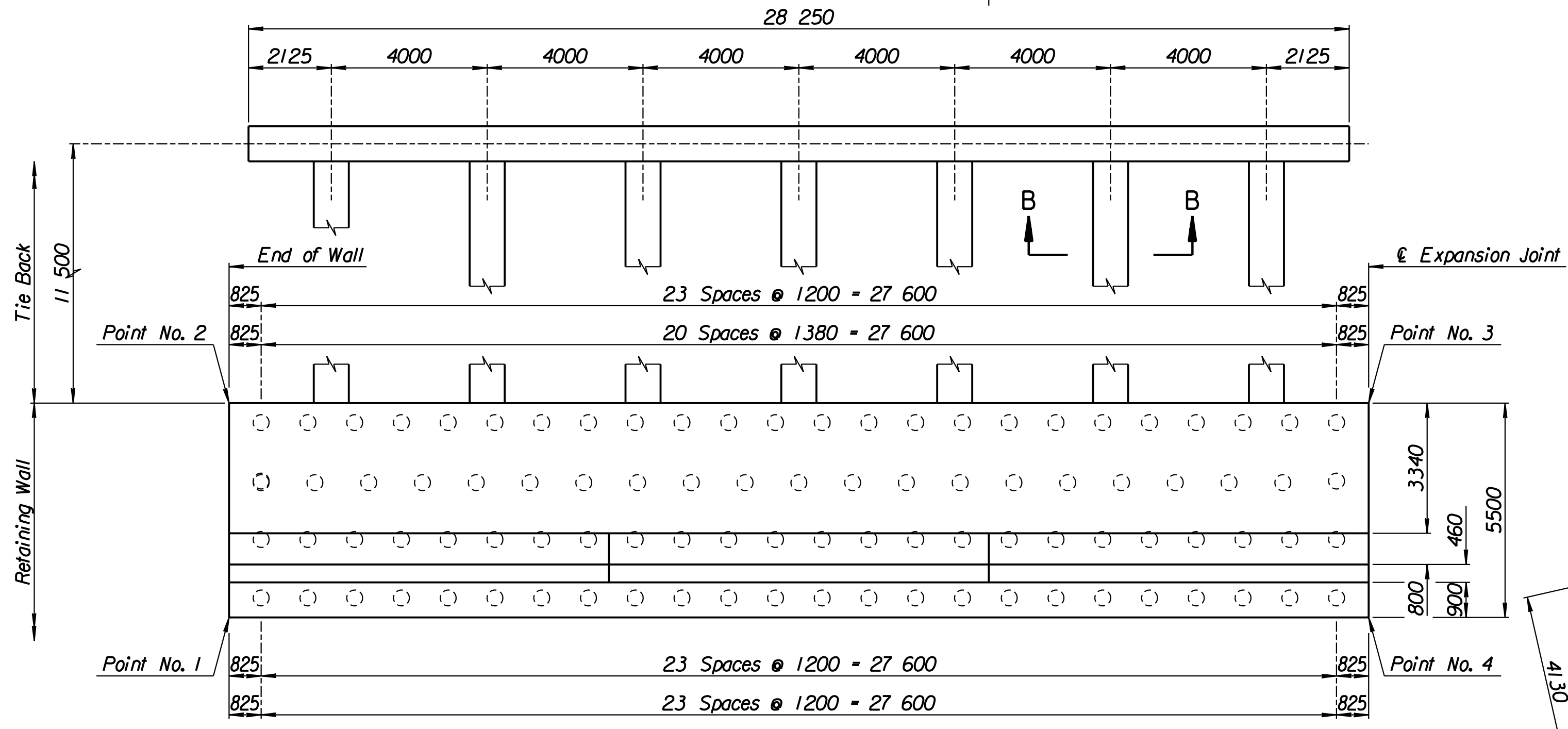
ELEVATION



SECTION A-A



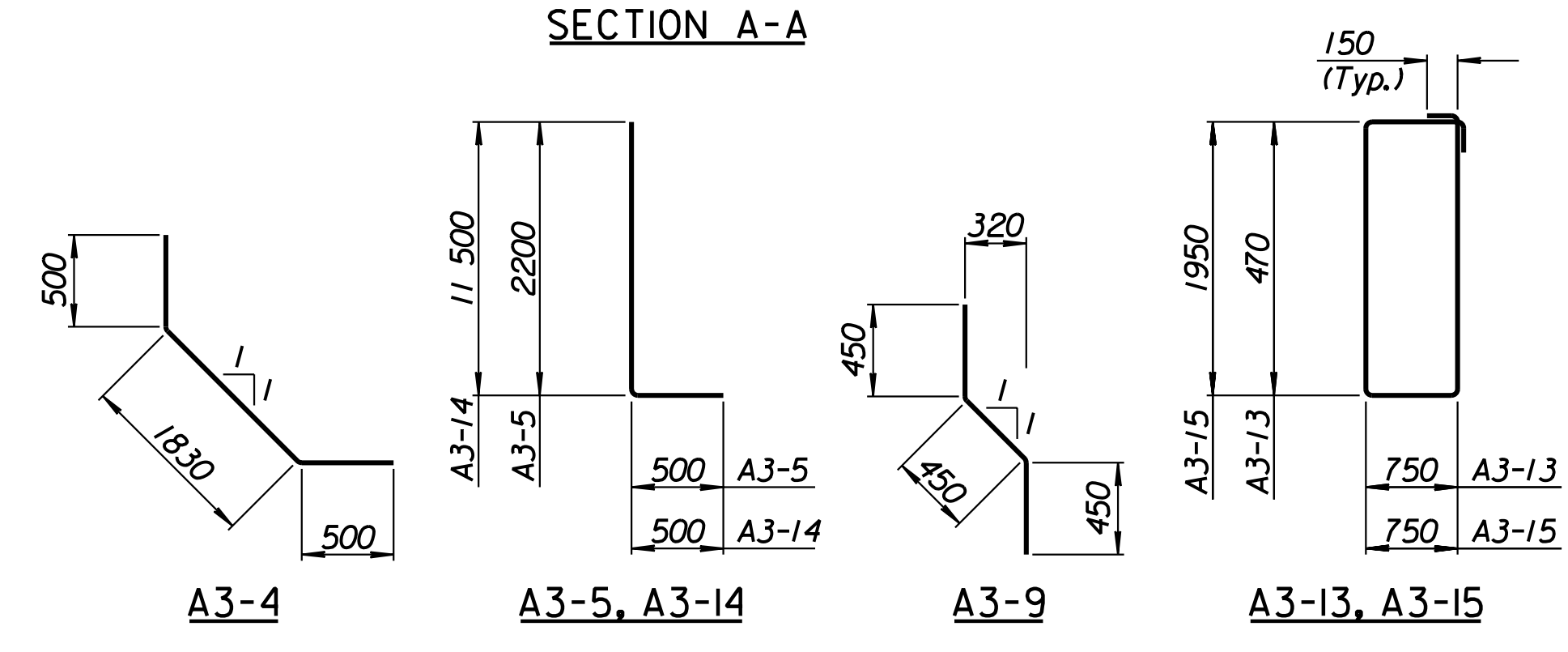
SECTION B-B



PLAN

TIE BACK REINFORCING STEEL							
Straight Bars			Bent Bars				
Mark	Size	Number	Length	Mark	Size	Number	Length
A3-16	*25	36	15 040	A3-13	*13	259	2740
				A3-14	*29	84	12 000
				A3-15	*13	94	5700

TIE BACK QUANTITIES		
Item	Quantity	Unit
Concrete (Grade 30)(AE)	96.6	m ³
Reinforcing Steel (Grade 420)	8490	kg



BENDING DIAGRAMS
All dimensions are out to out of bars.

RECORD DRAWING

1			
No.	Revisions	By	Date
CITY OF WICHITA			
MAIZE SOUTHEAST WALL			
STA. 15+665.857 TO STA. 15+694.962			
SEDGWICK COUNTY			
Professional Engineering Consultants, P.A. 303 S. TOPEKA • WICHITA, KANSAS 67202 316-262-2691 • FAX 316-262-3003			
Designed by	P.D.F.	Checked by	R.A.S.
Drawn by	W.L.L.	Date	Apr. 2002
		Job No.	97362

Drawn by: wil
 Plotted by: drp
 3-25-2002
 1:1997:97362:As-Built:1.dgn
 Vol 2/Sh 292-Maize-SEWall-I.dgn
 Last Rev: 8-22-07
 By: gdr