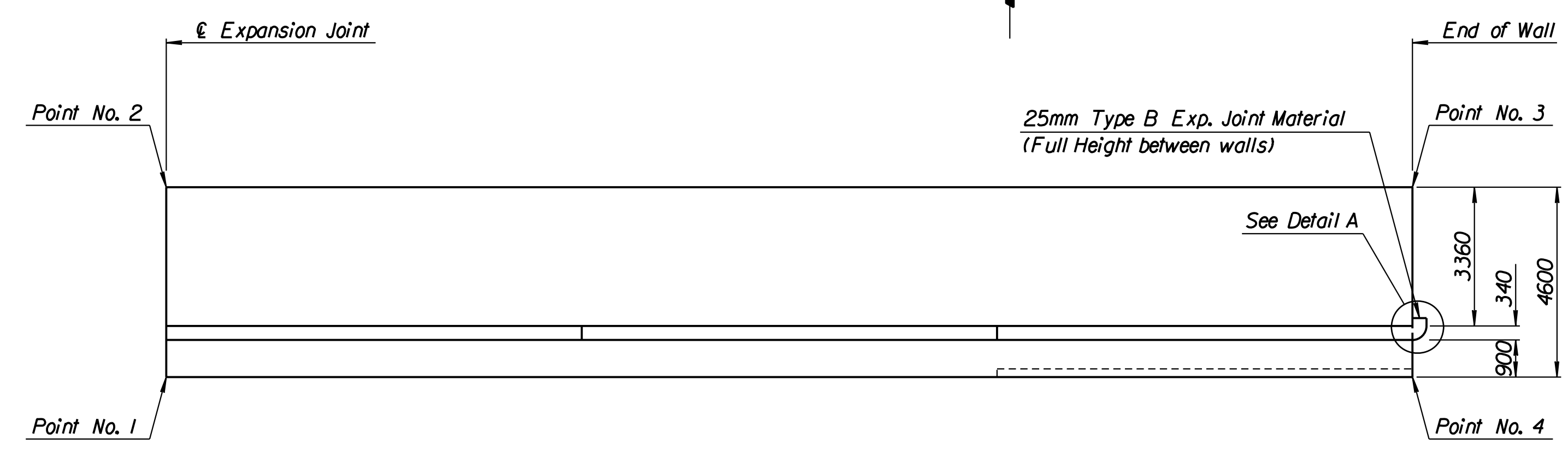
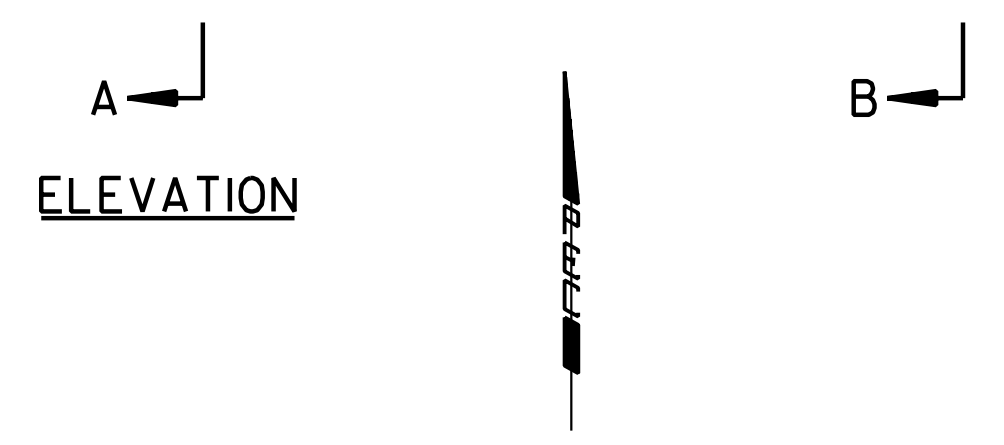
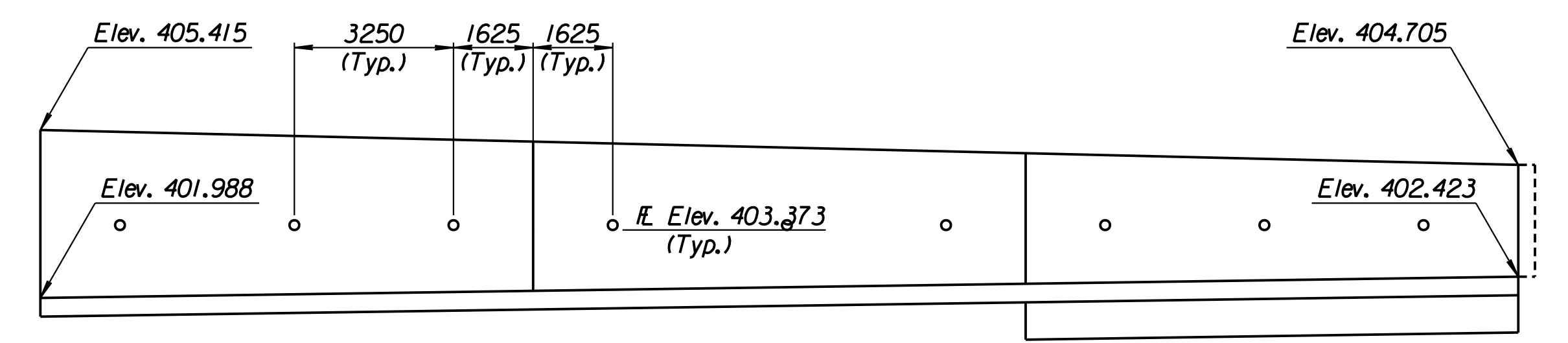
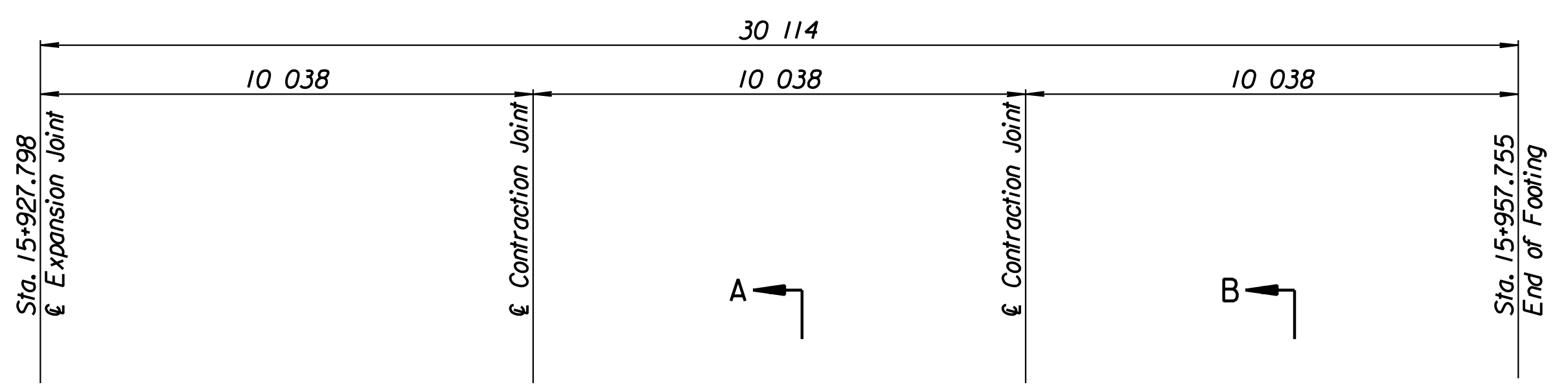


STATE	PROJECT NO.	YEAR	SHEET NO.	TOTAL SHEETS
KANSAS	54-87 K-6657-01	2002	302	1122

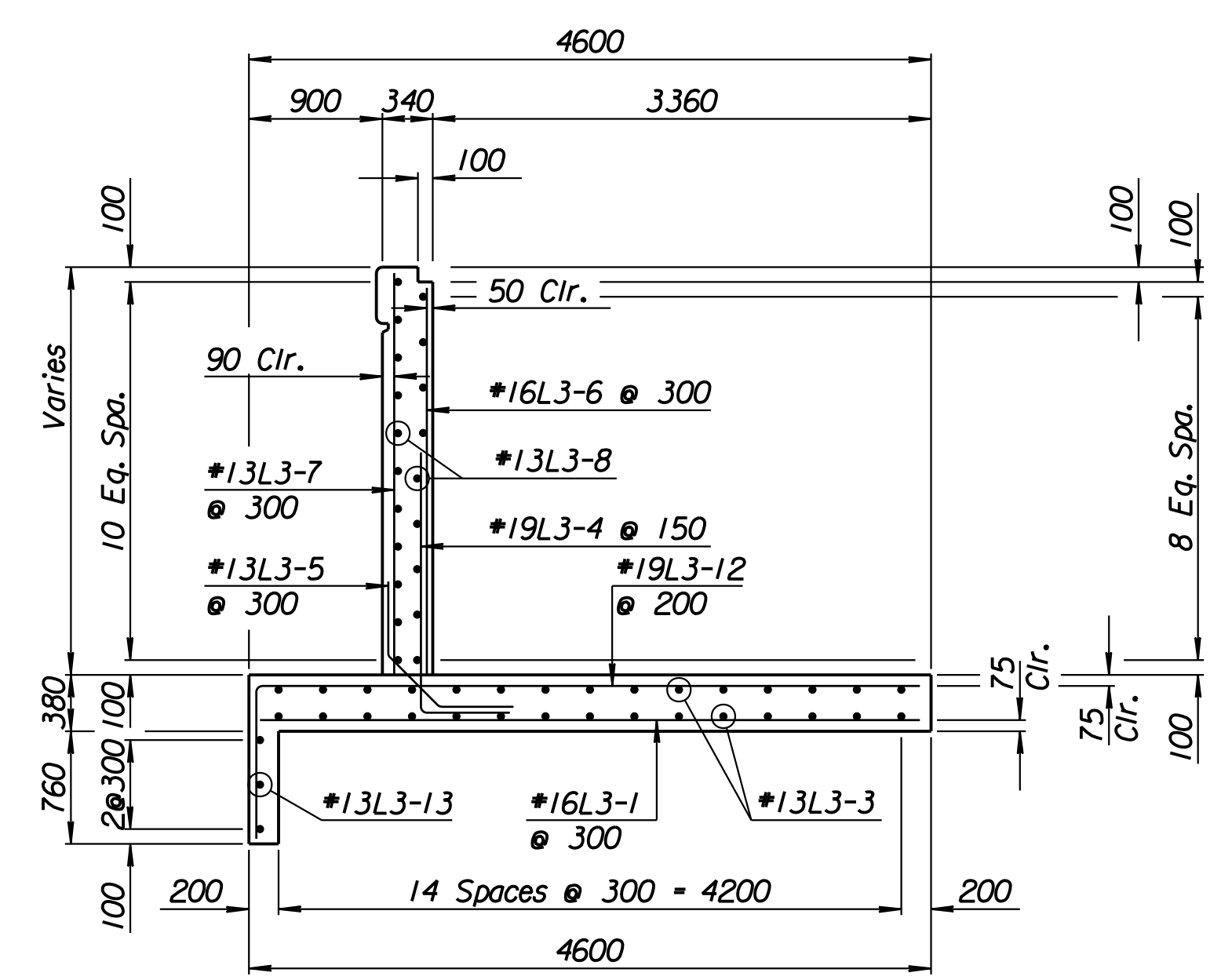
LAYOUT INFORMATION				
Point No.	North Coordinate	East Coordinate	Station	Offset
1	511439.399	491925.356	15+927.798	19.395 Rt.
2	511443.828	491924.116	15+927.798	14.795 Rt.
3	511452.050	491953.047	15+957.755	14.795 Rt.
4	511447.630	491954.323	15+957.755	19.395 Rt.

REINFORCING STEEL							
Straight Bars			Bent Bars				
Mark	Size	Number	Length	Mark	Size	Number	Length
L3-1	*16	102	4520	L3-4	*19	201	1520
L3-2	*19	100	4520	L3-5	*16	102	1200
L3-3	*13	60	15 400	L3-9	*13	11	800
L3-6	*16	102	Varies	L3-10	*13	9	480
L3-7	*13	102	Varies	L3-12	*19	50	5490
L3-8	*13	60	9940				
L3-11	*16	5	2180				
L3-13	*13	3	9940				

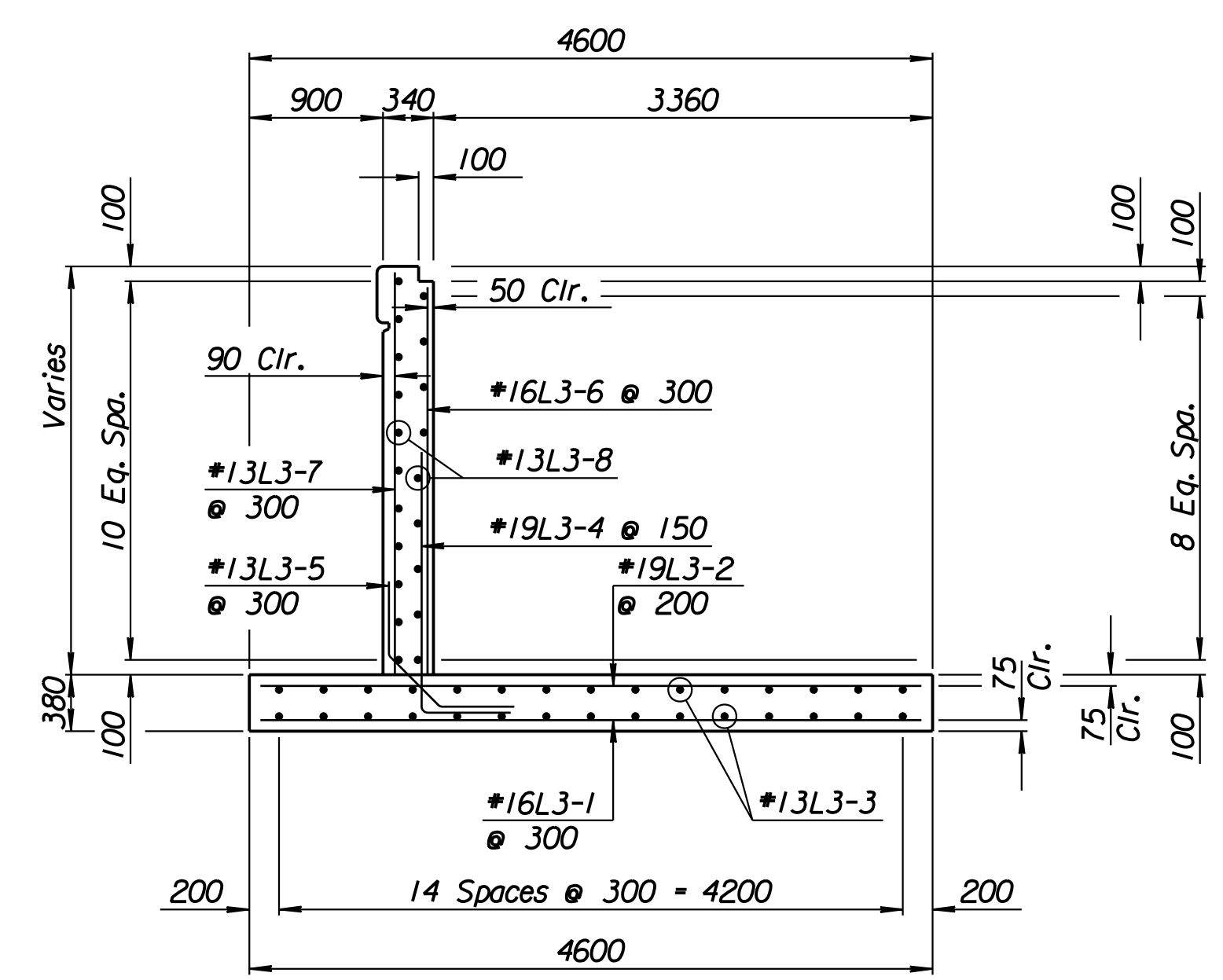
WALL QUANTITIES		
Item	Quantity	Unit
Concrete (Grade 30)(AE)	83.5	m ³
Reinforcing Steel (Grade 420)	5490	kg
Class III Excavation	0.0	m ³



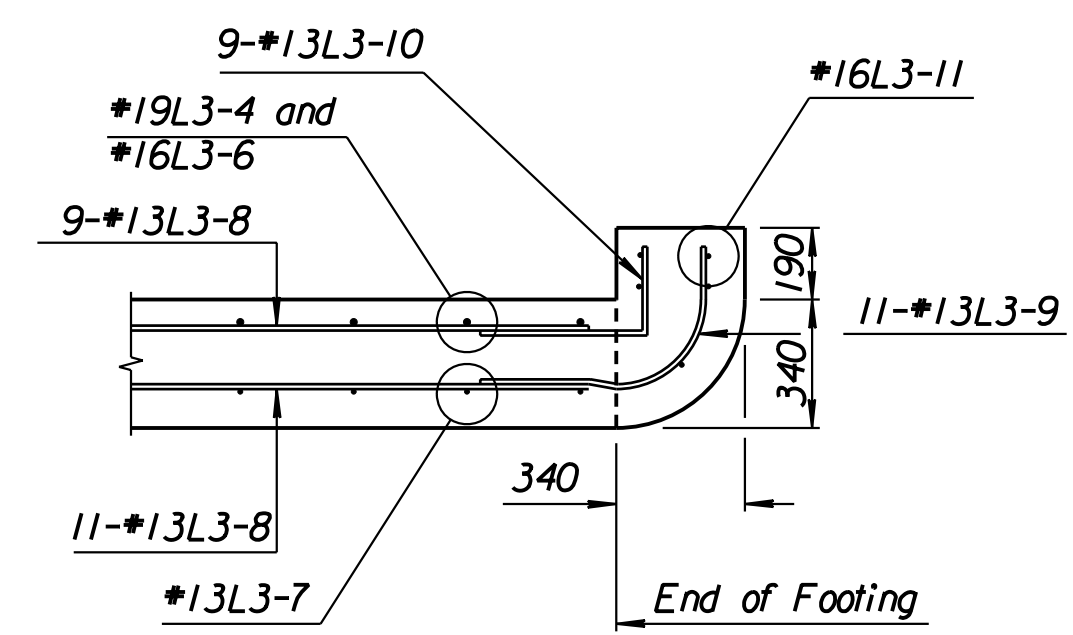
PLAN



SECTION B-B

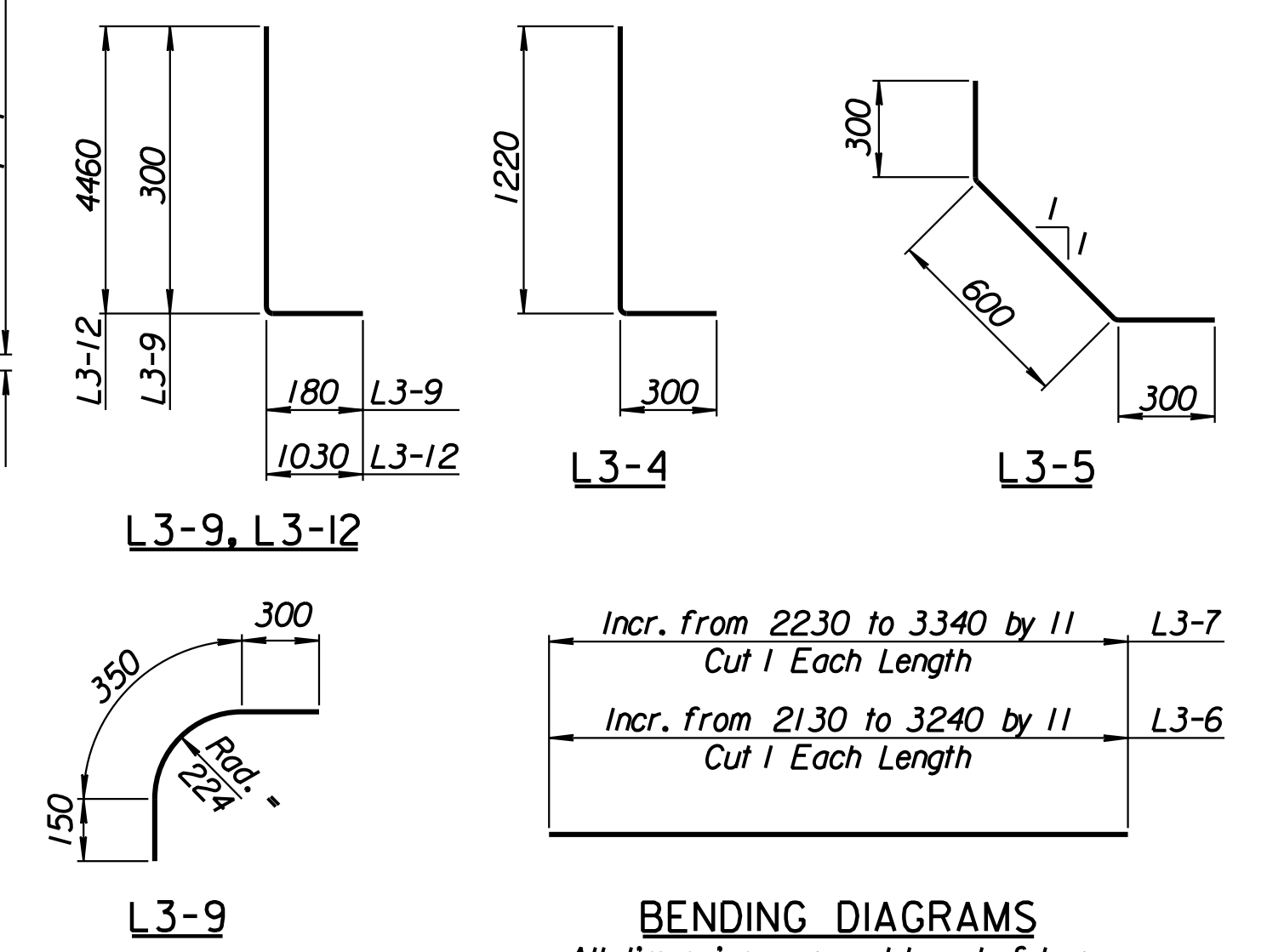


SECTION A-A



DETAIL A

Note: End of wall section has an additional 11-#13L3-9, 9-#13L3-10 and 5-#16L3-11.



BENDING DIAGRAMS

All dimensions are out to out of bars.

L3-6, L3-7

Drawn by: wil
 Plotted by: drp
 3-25-2002
 I:/1997/97362/As-Built/dgn/s/Vol 2/Sh 302-Maize-SEWall-11.dgn Last Rev: 8-22-07 By: gdr

RECORD DRAWING

1			
No.	Revisions	By	Date
CITY OF WICHITA			
MAIZE SOUTHEAST WALL			
STA. 15+927.798 TO STA. 15+957.755			
SEDGWICK COUNTY			
Professional Engineering Consultants, P.A.			
303 S. TOPEKA • WICHITA, KANSAS 67202			
316-262-2691 • FAX 316-262-3003			
Designed by	P.D.F.	Checked by	R.A.S.
Drawn by	W.L.L.	Date	Apr. 2002
		Job No.	97362