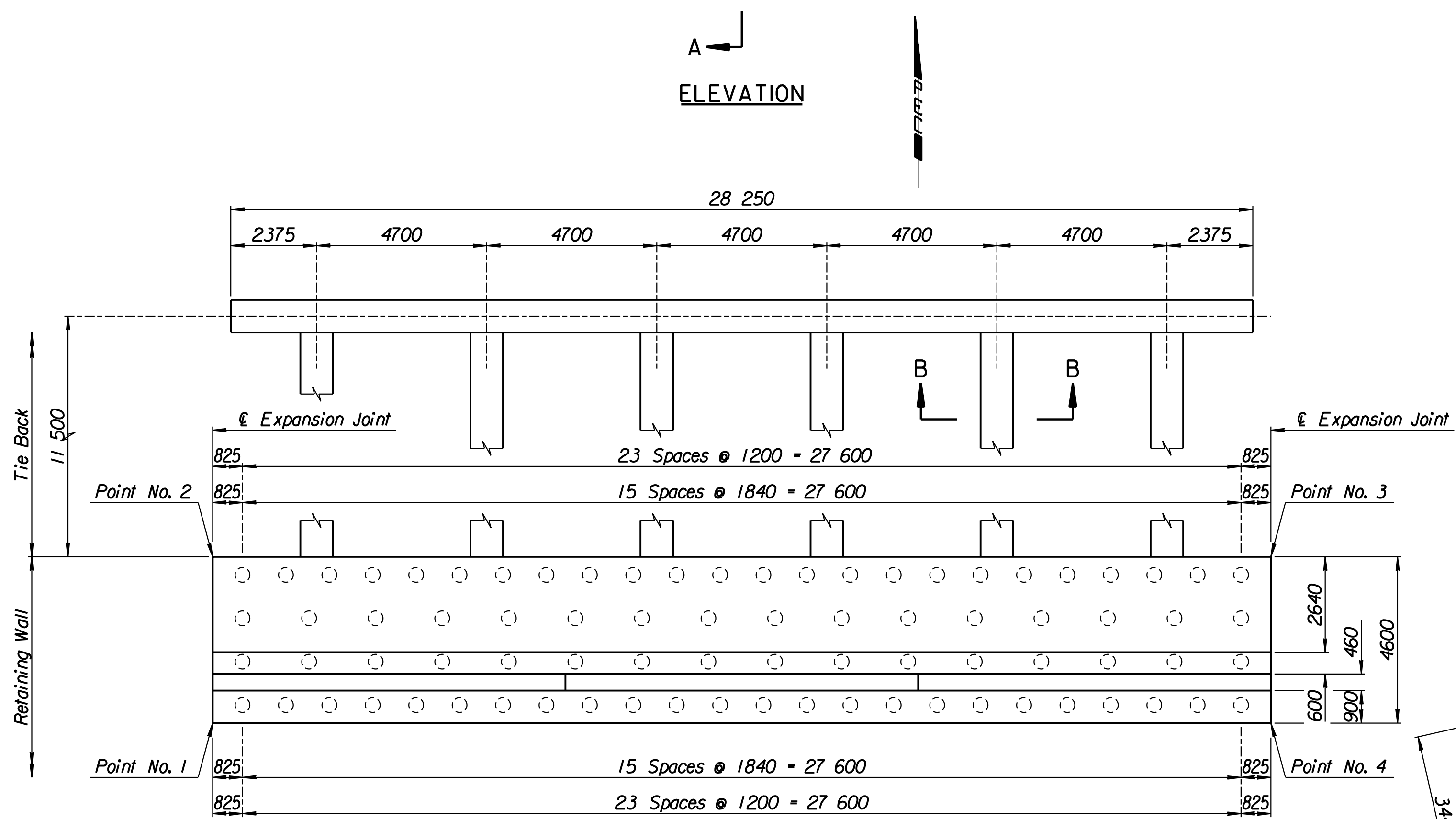
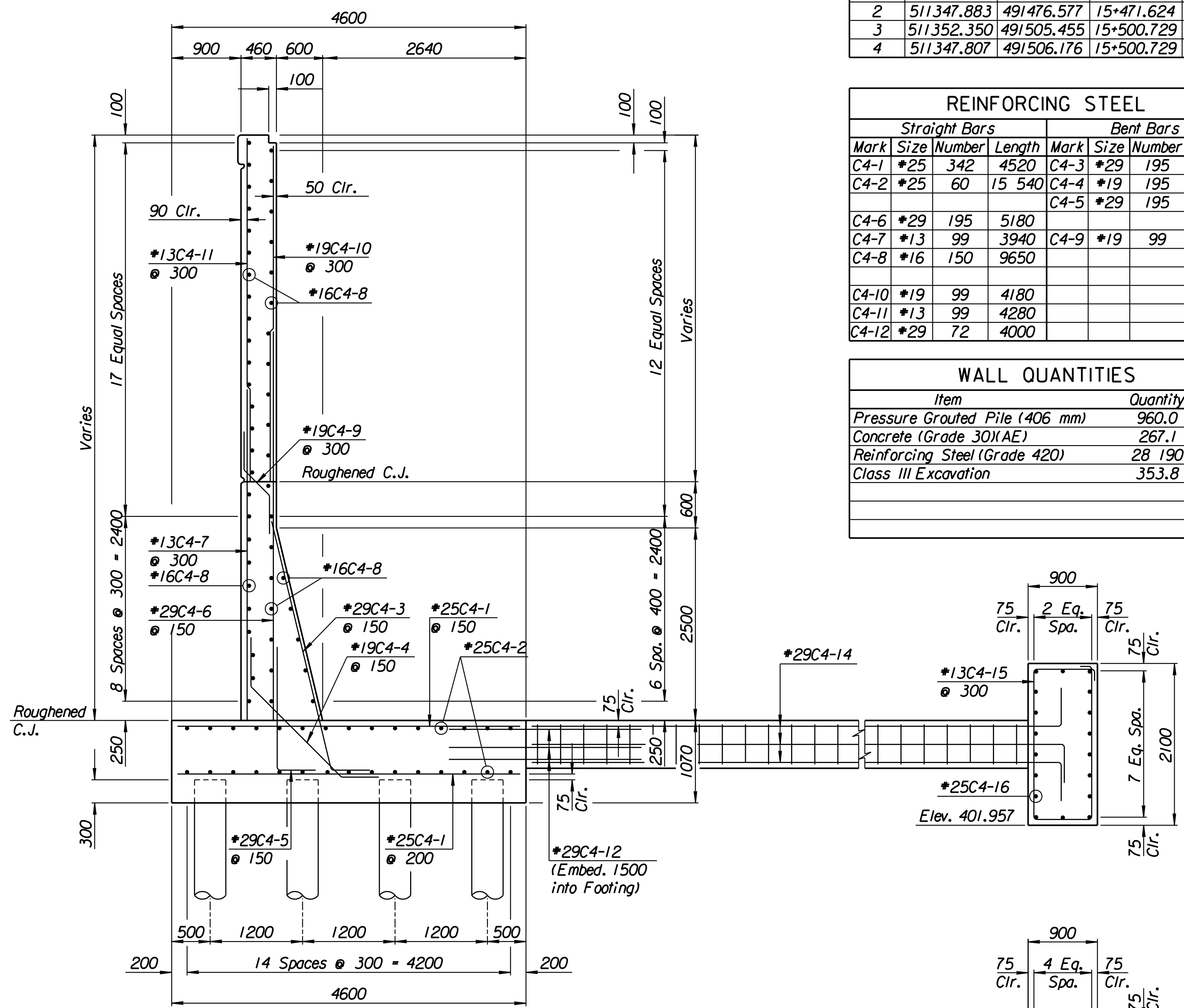
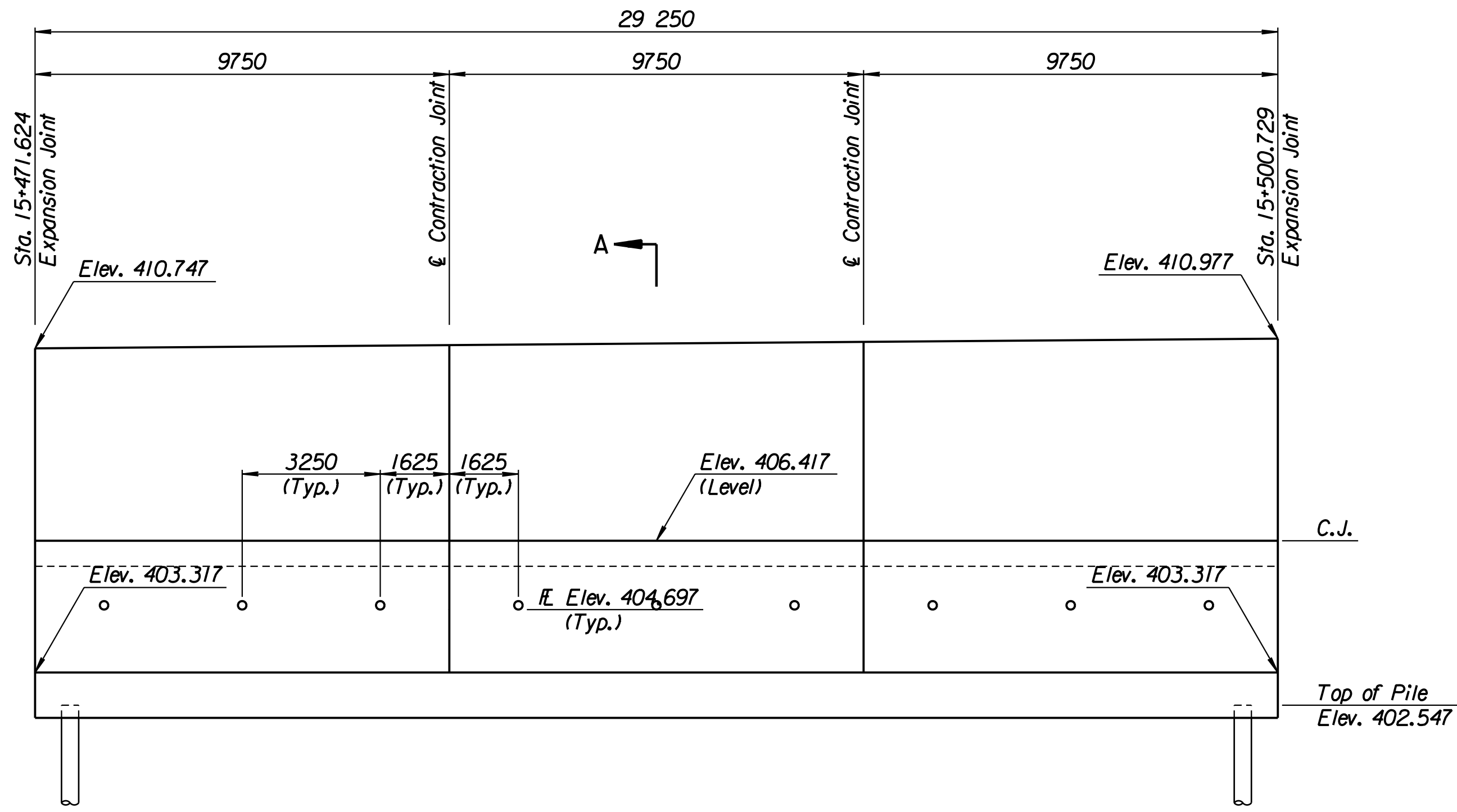


STATE	PROJECT NO.	YEAR	SHEET NO.	TOTAL SHEETS
KANSAS	54-87 K-6657-01	2002	305	1122

LAYOUT INFORMATION				
Point No.	North Coordinate	East Coordinate	Station	Offset
1	511343.334	491477.262	15+471.624	19.395 Rt.
2	511347.883	491476.577	15+471.624	14.795 Rt.
3	511352.350	491505.455	15+500.729	14.795 Rt.
4	511347.807	491506.176	15+500.729	19.395 Rt.

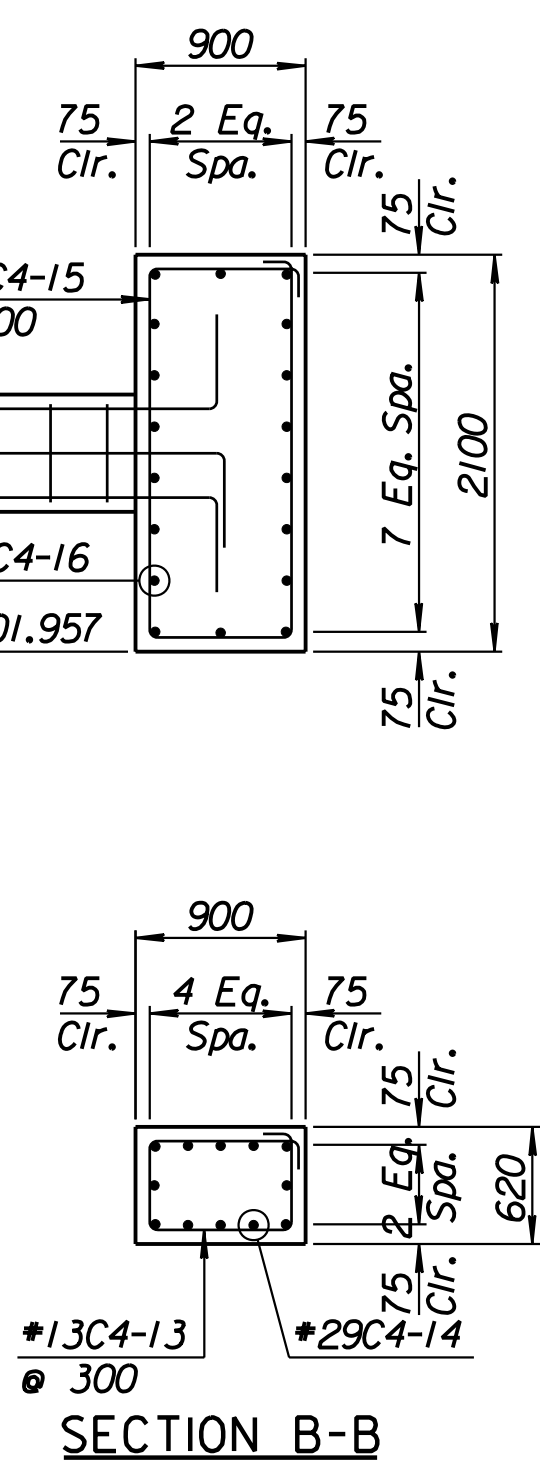
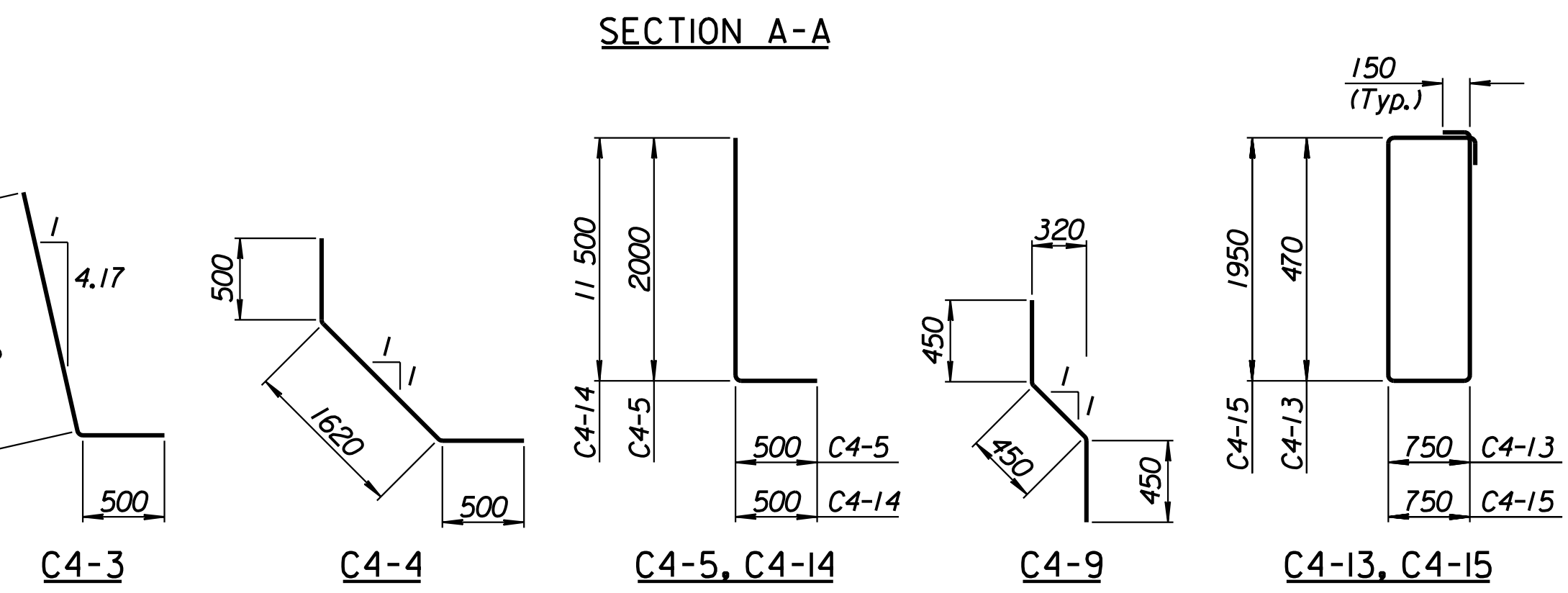
REINFORCING STEEL							
Straight Bars				Bent Bars			
Mark	Size	Number	Length	Mark	Size	Number	Length
C4-1	*25	342	4520	C4-3	*29	195	3940
C4-2	*25	60	15 540	C4-4	*19	195	2620
C4-6	*29	195	5180	C4-5	*29	195	2500
C4-7	*13	99	3940	C4-9	*19	99	1350
C4-8	*16	150	9650				
C4-10	*19	99	4180				
C4-11	*13	99	4280				
C4-12	*29	72	4000				

WALL QUANTITIES		
Item	Quantity	Unit
Pressure Grouted Pile (406 mm)	960.0	m
Concrete (Grade 30)(AE)	267.1	m ³
Reinforcing Steel (Grade 420)	28 190	kg
Class III Excavation	353.8	m ³



TIE BACK REINFORCING STEEL							
Straight Bars				Bent Bars			
Mark	Size	Number	Length	Mark	Size	Number	Length
C4-16	*25	36	15 040	C4-13	*13	222	2740
				C4-14	*29	72	12 000
				C4-15	*13	94	5700

TIE BACK QUANTITIES		
Item	Quantity	Unit
Concrete (Grade 30)(AE)	90.4	m ³
Reinforcing Steel (Grade 420)	7660	kg



BENDING DIAGRAMS
All dimensions are out to out of bars.

RECORD DRAWING

1			
No.	Revisions	By	Date
CITY OF WICHITA			
MAIZE SOUTHWEST WALL			
STA. 15+471.624 TO STA. 15+500.729			
SEDGWICK COUNTY			
Professional Engineering Consultants, P.A. 303 S. TOPEKA • WICHITA, KANSAS 67202 316-262-2691 • FAX 316-262-3003			
Designed by	P.D.F.	Checked by	R.A.S.
Drawn by	W.L.L.	Date	Apr. 2002
		Job No.	97362

Drawn by: wil
 Plotted by: drp
 3-25-2002
 1:1997197362/As-Built/dgn/s/Vol 2/Sh 305-Maize-SWWall-10.dgn Last Rev: 8-22-07 By: gdr