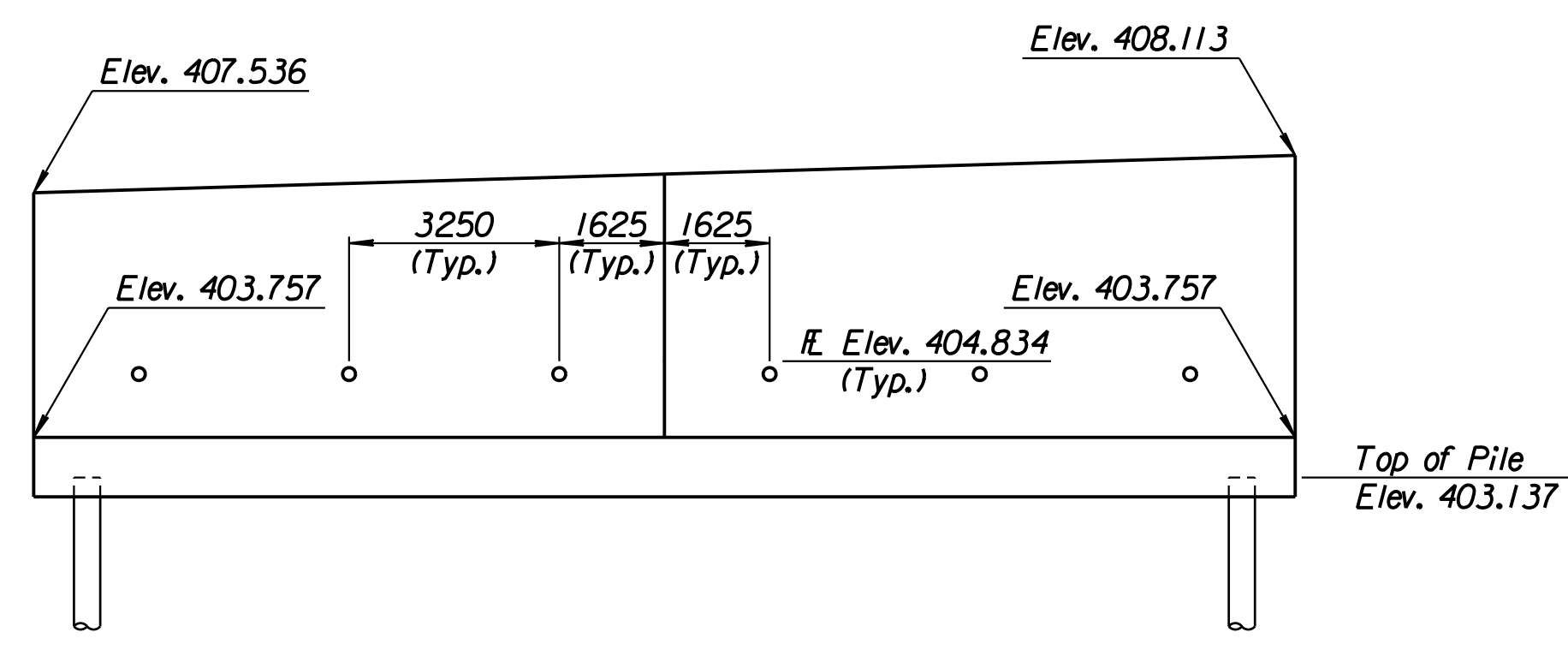
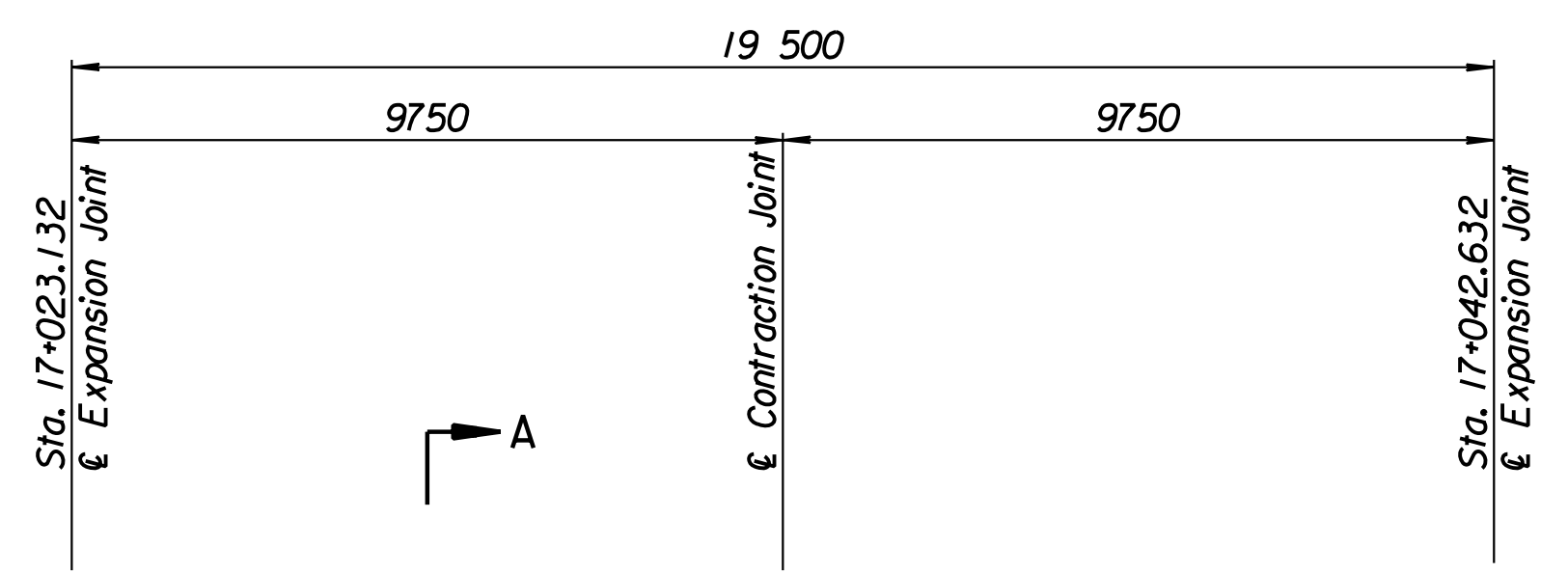


STATE	PROJECT NO.	YEAR	SHEET NO.	TOTAL SHEETS
KANSAS	54-87 K-6657-01	2002	324	1122

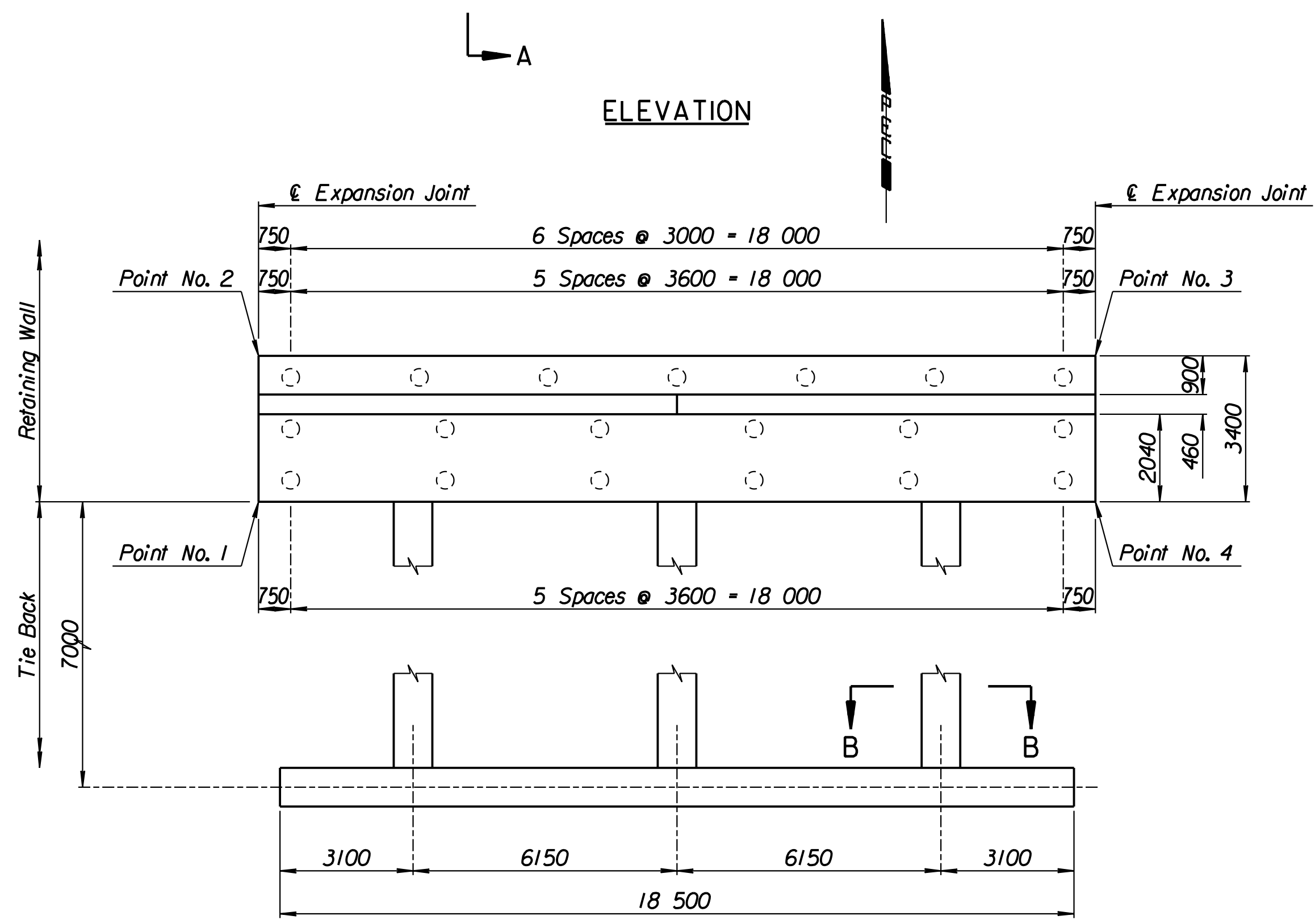
LAYOUT INFORMATION				
Point No.	North Coordinate	East Coordinate	Station	Offset
1	511888.961	492924.828	17+023.132	15.995 Lt.
2	511892.045	492923.396	17+023.132	19.395 Lt.
3	511900.259	492941.081	17+042.632	19.395 Lt.
4	511897.176	492942.513	17+042.632	15.995 Lt.

REINFORCING STEEL							
Straight Bars				Bent Bars			
Mark	Size	Number	Length	Mark	Size	Number	Length
J5-1	*25	164	3320	J5-3	*22	130	2590
J5-2	*25	44	10 670	J5-4	*16	66	1970
J5-5	*16	52	9650				
J5-6	*19	66	3630				
J5-7	*13	66	4300				
J5-8	*29	36	4000				

WALL QUANTITIES		
Item	Quantity	Unit
Pressure Grouted Pile (406 mm)	228.0	m
Concrete (Grade 30)(AE)	97.3	m ³
Reinforcing Steel (Grade 420)	7579	kg
Class III Excavation	37.1	m ³



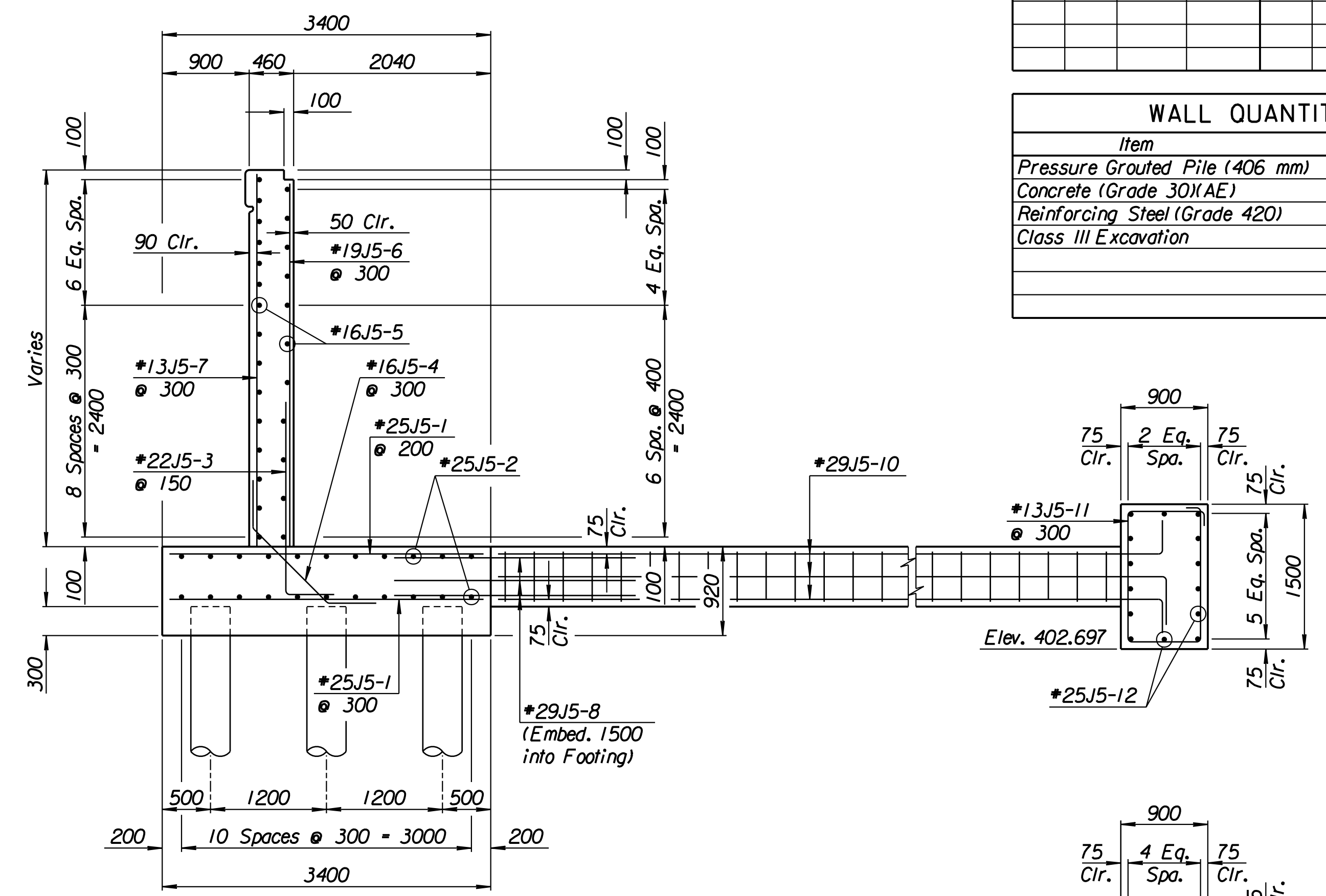
ELEVATION



PLAN

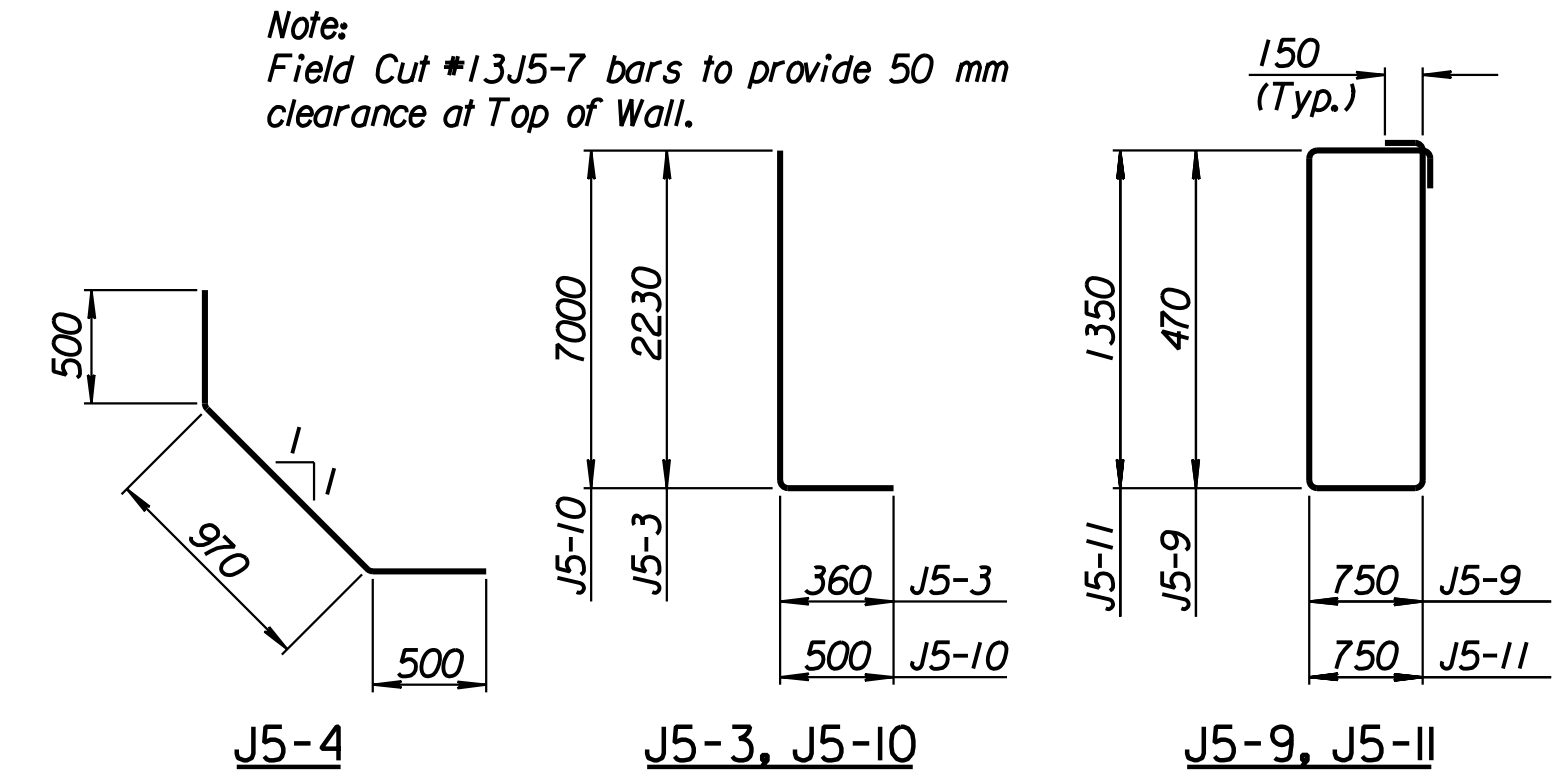
TIE BACK REINFORCING STEEL							
Straight Bars				Bent Bars			
Mark	Size	Number	Length	Mark	Size	Number	Length
J5-12	*25	28	10 170	J5-9	*13	66	2740
				J5-10	*29	36	7500
				J5-11	*13	63	4500

TIE BACK QUANTITIES		
Item	Quantity	Unit
Concrete (Grade 30)(AE)	35.9	m ³
Reinforcing Steel (Grade 420)	2959	kg



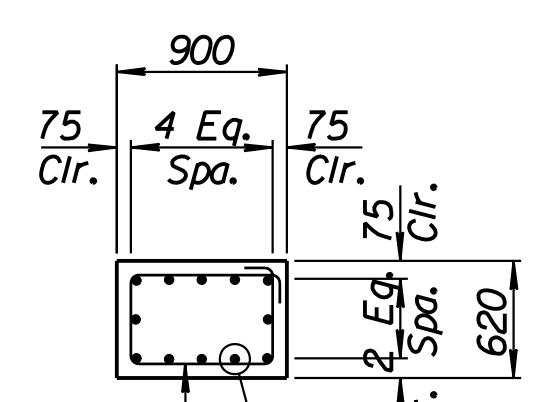
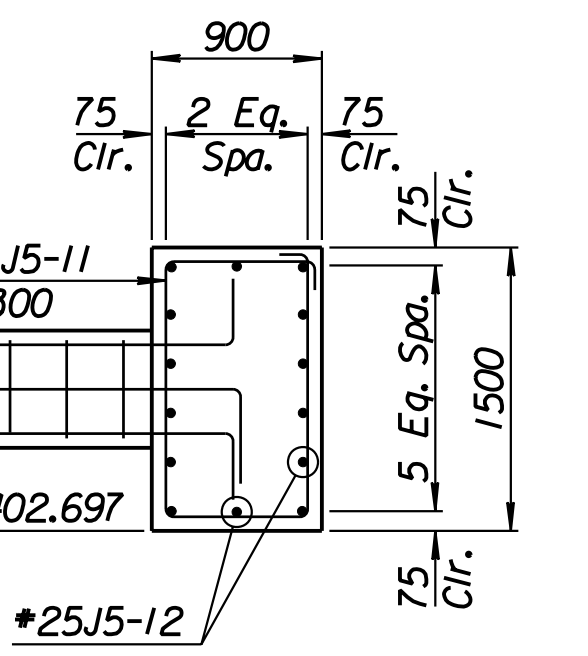
SECTION A-A

Note:
Field Cut #13J5-7 bars to provide 50 mm clearance at Top of Wall.



BENDING DIAGRAMS

All dimensions are out to out of bars.



SECTION B-B

1			
No.	Revisions	By	Date
CITY OF WICHITA			
TYLER NORTHWEST WALL			
STA. 17+023.132 TO STA. 17+042.632			
SEDGWICK COUNTY			
Professional Engineering Consultants, P.A. 303 S. TOPEKA • WICHITA, KANSAS 67202 316-262-2691 • FAX 316-262-3003			
Designed by	P.D.F.	Checked by	R.A.S.
Drawn by	W.L.L.	Date	April 11, 2002
		Job No.	97362

Drawn by: wil
 Plotted by: drp
 3-22-2002
 I:\1997\97362\As-Builts\dgn\Vol 2\Sh 324-Tyler-NWwall-9.dgn Last Rev: 8-23-07 By: gdr