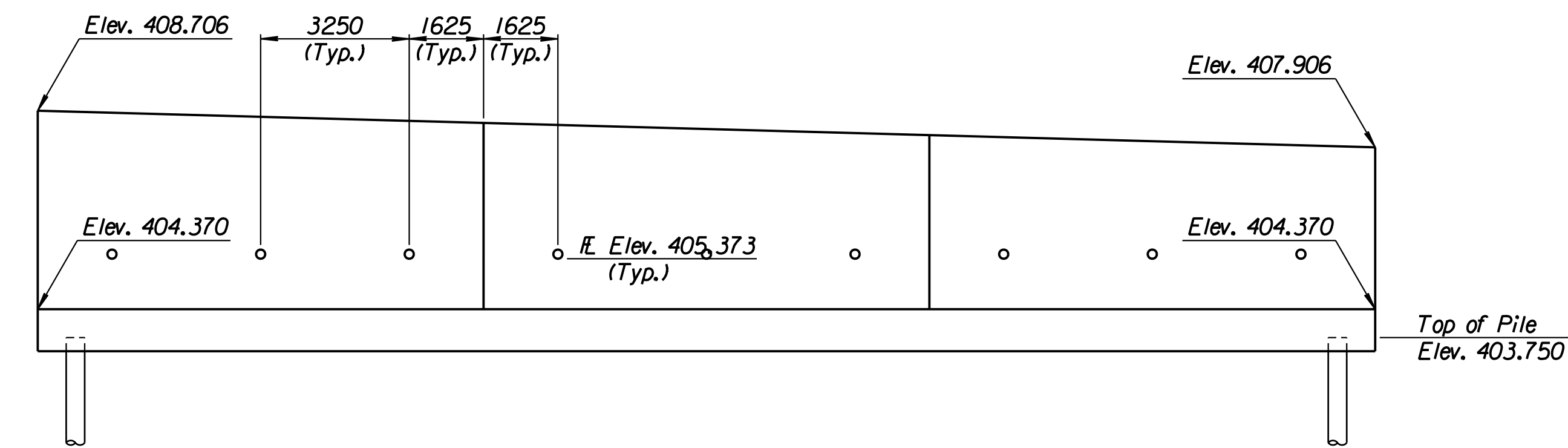
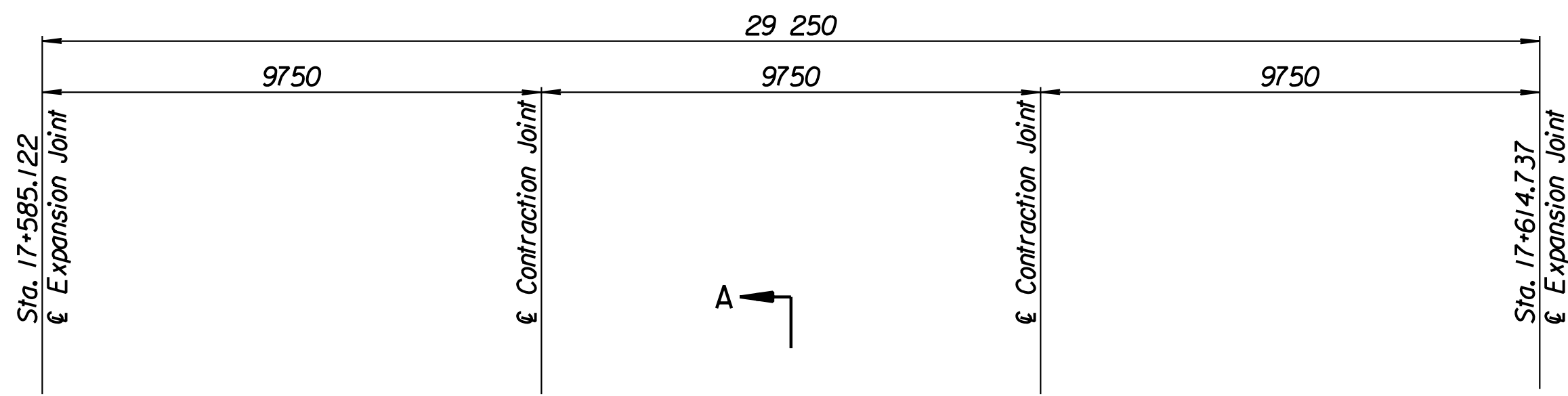


STATE	PROJECT NO.	YEAR	SHEET NO.	TOTAL SHEETS
KANSAS	54-87 K-6657-01	2002	347	1122

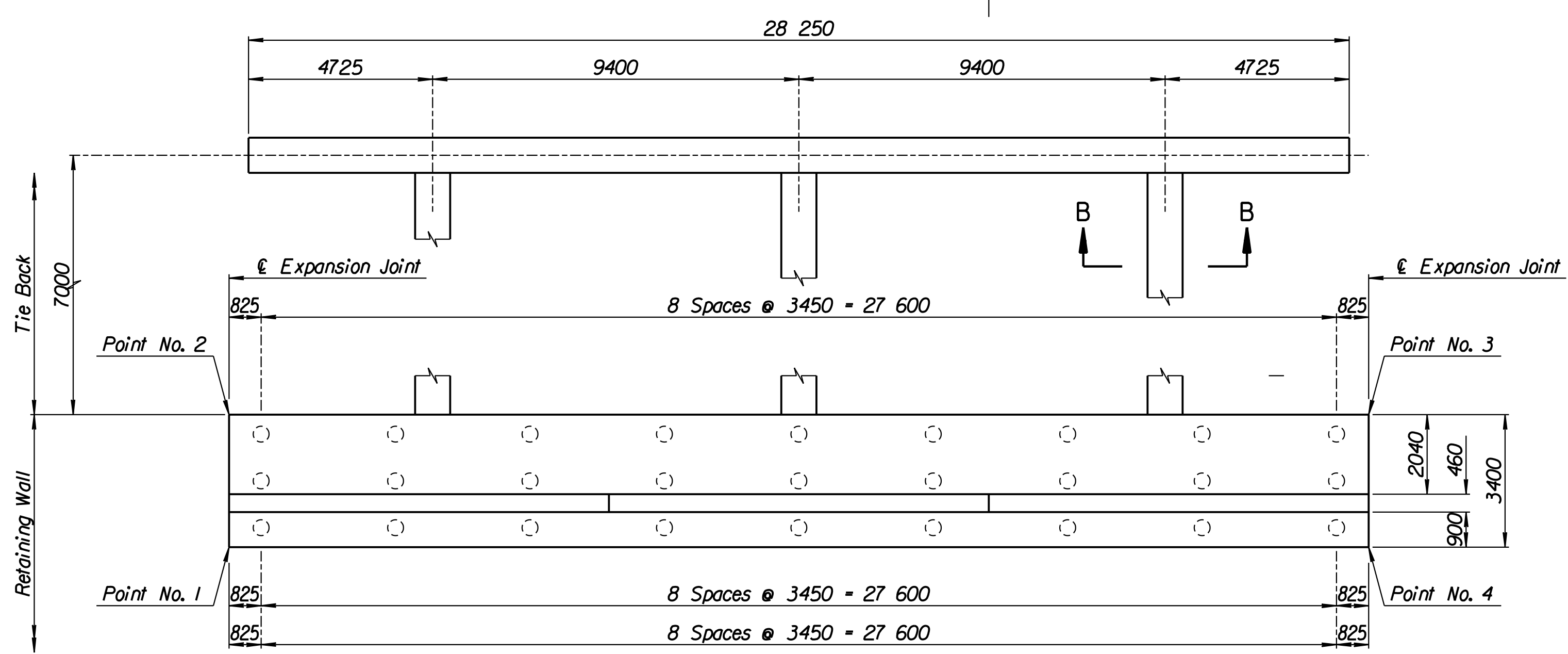
LAYOUT INFORMATION				
Point No.	North Coordinate	East Coordinate	Station	Offset
1	512088.217	493449.994	17+585.122	19.395 Rt.
2	512091.409	493448.824	17+585.122	15.995 Rt.
3	512101.227	493476.428	17+614.737	15.995 Rt.
4	512098.013	493477.536	17+614.737	19.395 Rt.

REINFORCING STEEL							
Straight Bars				Bent Bars			
Mark	Size	Number	Length	Mark	Size	Number	Length
H7-1	*25	246	3320	H7-3	*22	195	2810
H7-2	*25	44	15 540	H7-4	*16	99	1970
H7-5	*16	78	9650				
H7-6	*19	99	3390				
H7-7	*13	99	4280				
H7-8	*29	36	4000				

WALL QUANTITIES		
Item	Quantity	Unit
Pressure Grouted Pile (406 mm)	324.0	m
Concrete (Grade 30)(AE)	144.2	m ³
Reinforcing Steel (Grade 420)	10 999	kg
Class III Excavation	231.0	m ³



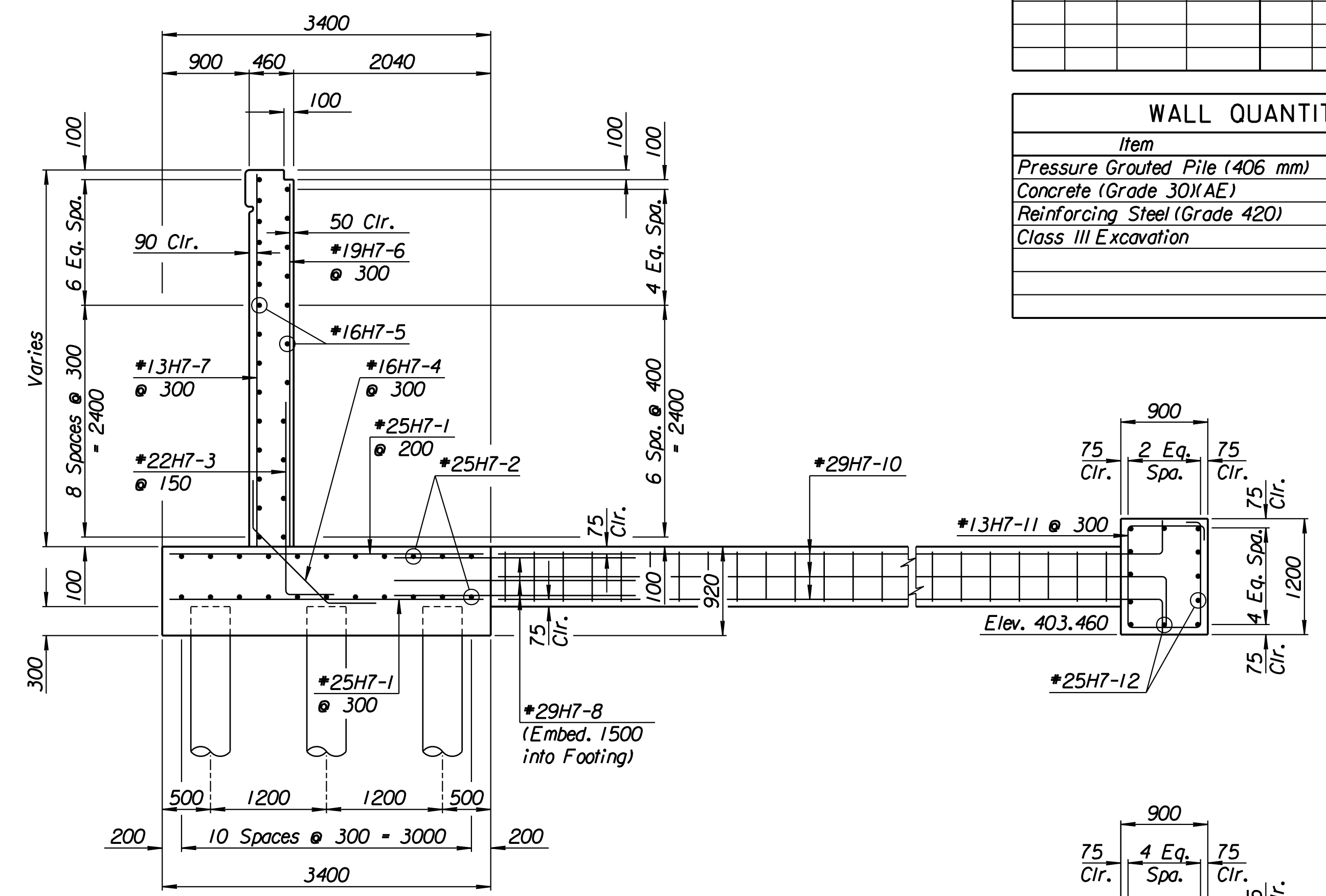
ELEVATION



PLAN

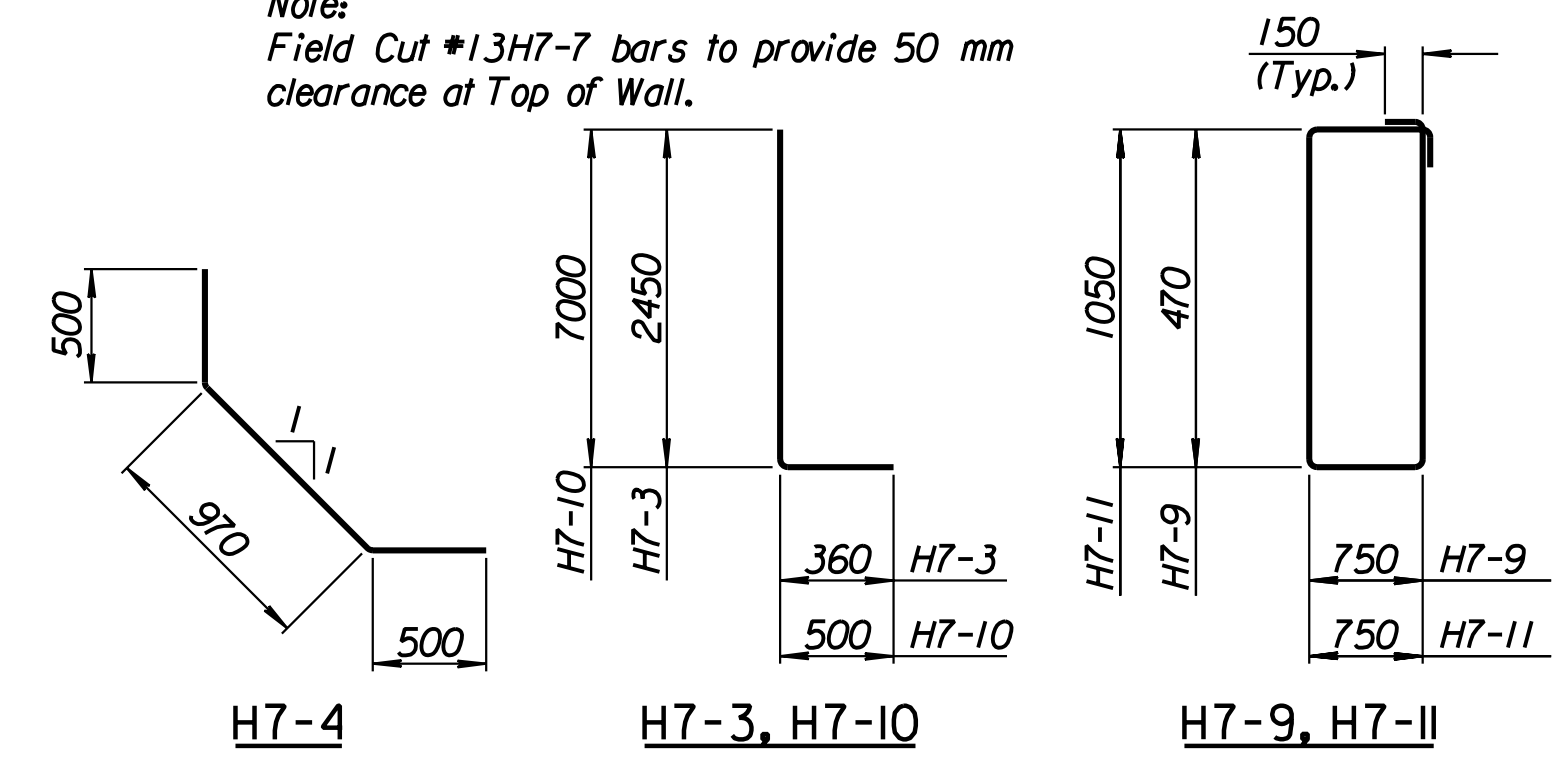
TIE BACK REINFORCING STEEL							
Straight Bars				Bent Bars			
Mark	Size	Number	Length	Mark	Size	Number	Length
H7-12	*25	24	15 040	H7-9	*13	66	2740
				H7-10	*29	36	7500
				H7-11	*13	94	3900

TIE BACK QUANTITIES		
Item	Quantity	Unit
Concrete (Grade 30)(AE)	41.5	m ³
Reinforcing Steel (Grade 420)	3344	kg

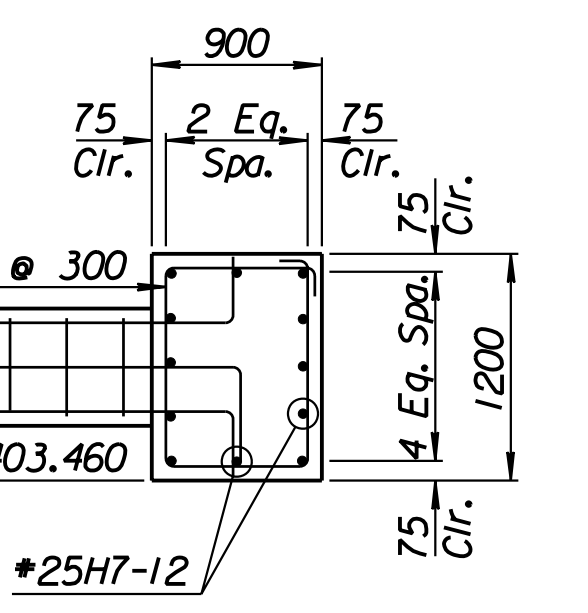


SECTION A-A

Note:
Field Cut #13H7-7 bars to provide 50 mm clearance at Top of Wall.



BENDING DIAGRAMS
All dimensions are out to out of bars.



SECTION B-B

1			
No.	Revisions	By	Date
CITY OF WICHITA			
TYLER SOUTHEAST WALL			
STA. 17+585.122 TO STA. 17+614.737			
SEDGWICK COUNTY			
Professional Engineering Consultants, P.A. 303 S. TOPEKA • WICHITA, KANSAS 67202 316-262-2691 • FAX 316-262-3003			
Designed by	P.D.F.	Checked by	R.A.S.
Drawn by	W.L.L.	Date	April 11, 2002
		Job No.	97362

Drawn by: wil
 Plotted by: drp
 3-22-2002
 I:/1997/97362/As-Built/s/dgn/s/Vol 2/Sh 347-Tyler-SEWall-8.dgn Last Rev: 8-23-07 By: gdr