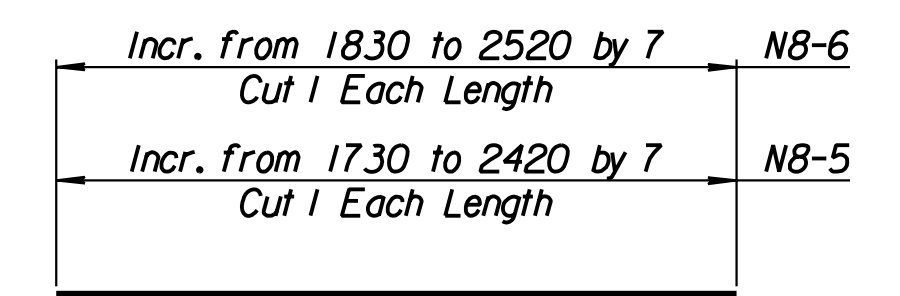
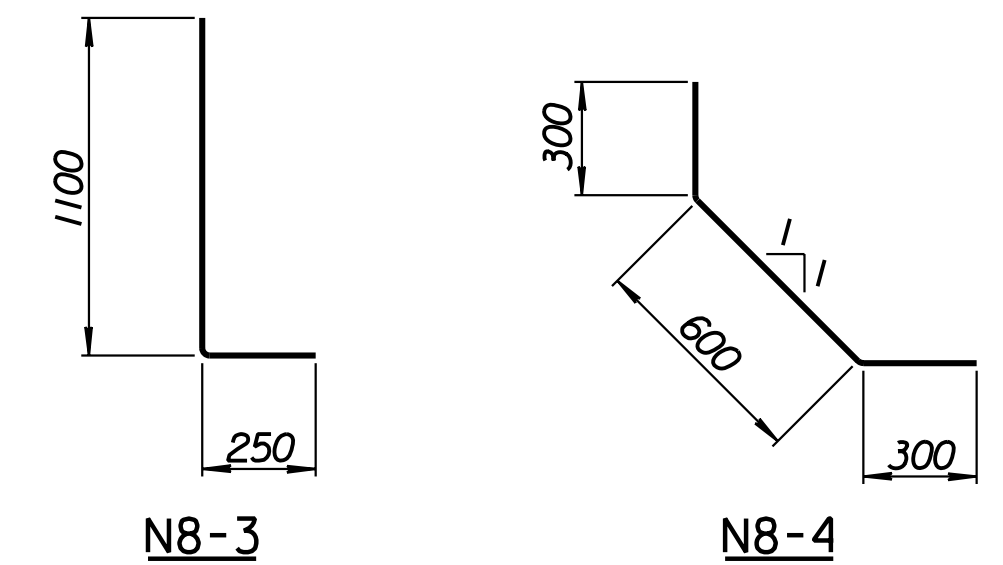


STATE	PROJECT NO.	YEAR	SHEET NO.	TOTAL SHEETS
KANSAS	54-87 K-6657-01	2002	363	1122

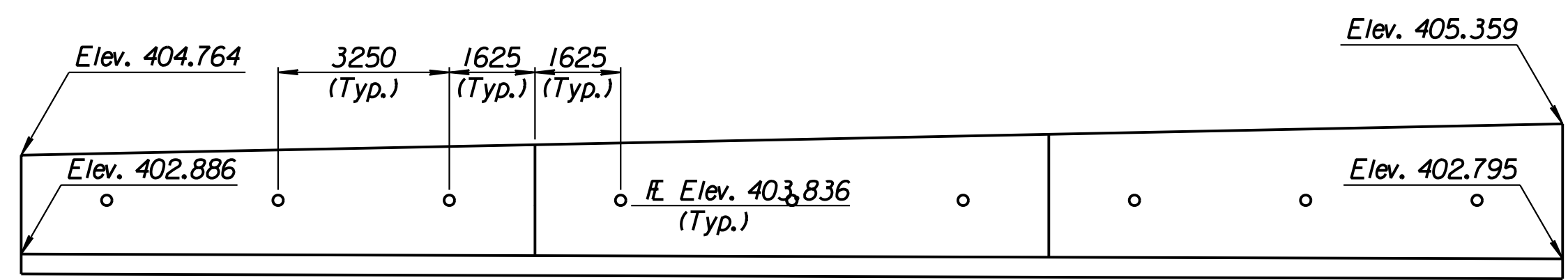
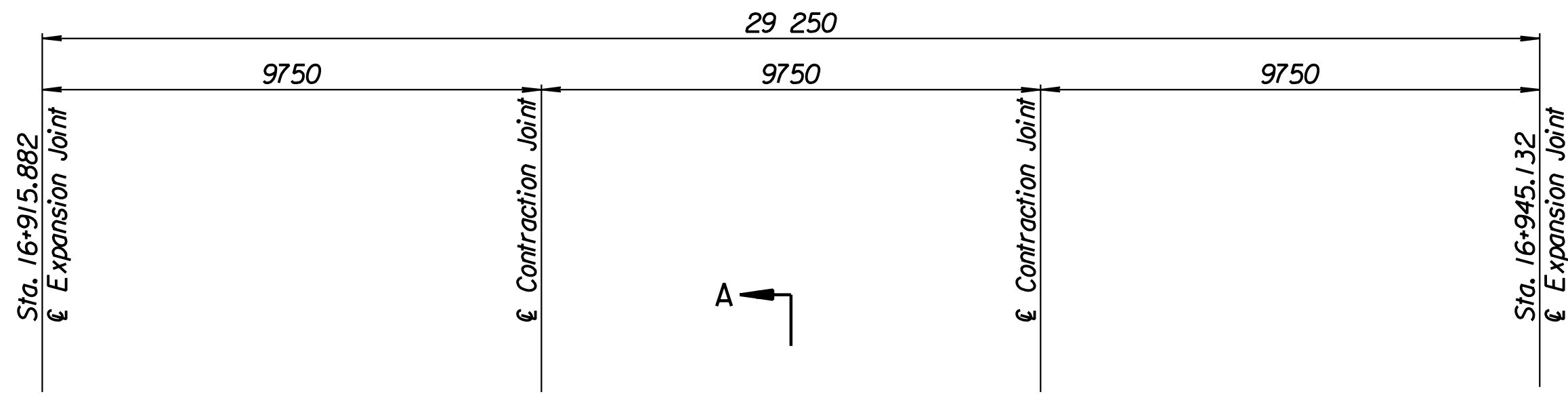
LAYOUT INFORMATION				
Point No.	North Coordinate	East Coordinate	Station	Offset
1	511811.685	492842.467	16+915.882	19.395 Rt.
2	511814.768	492841.034	16+915.882	15.995 Rt.
3	511827.090	492867.562	16+945.132	15.995 Rt.
4	511824.006	492868.995	16+945.132	19.395 Rt.

REINFORCING STEEL							
Straight Bars				Bent Bars			
Mark	Size	Number	Length	Mark	Size	Number	Length
N8-1	*16	147	3320	N8-3	*16	195	1350
N8-2	*13	44	14 960	N8-4	*13	99	1200
N8-5	*16	99	Varies				
N8-6	*13	99	Varies				
N8-7	*13	48	9650				

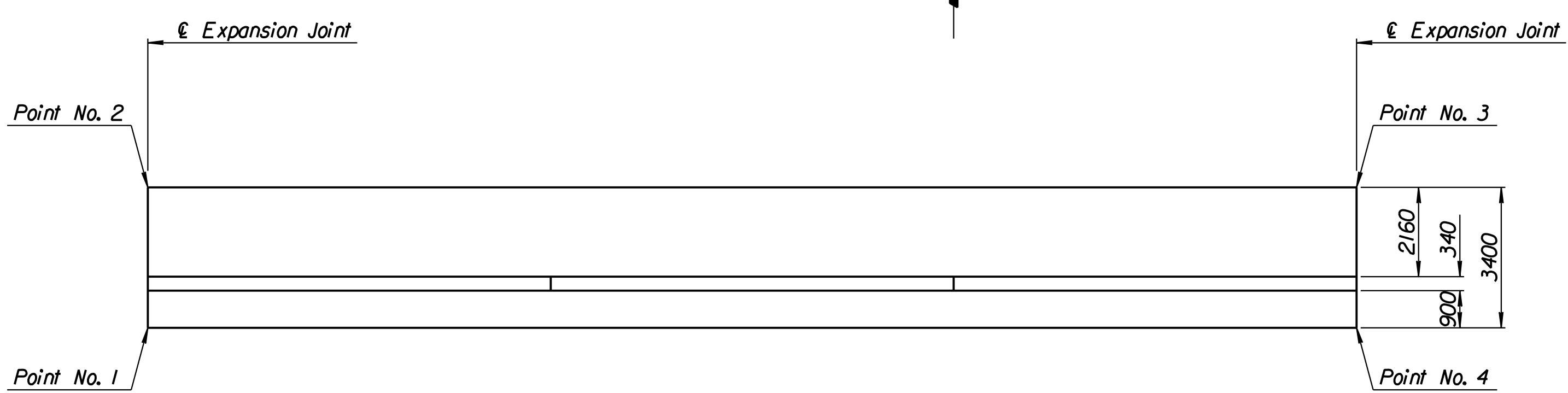
WALL QUANTITIES		
Item	Quantity	Unit
Concrete (Grade 30)(AE)	59.6	m <sup>3</sup>
Reinforcing Steel (Grade 420)	2932	kg
Class III Excavation	167.0	m <sup>3</sup>



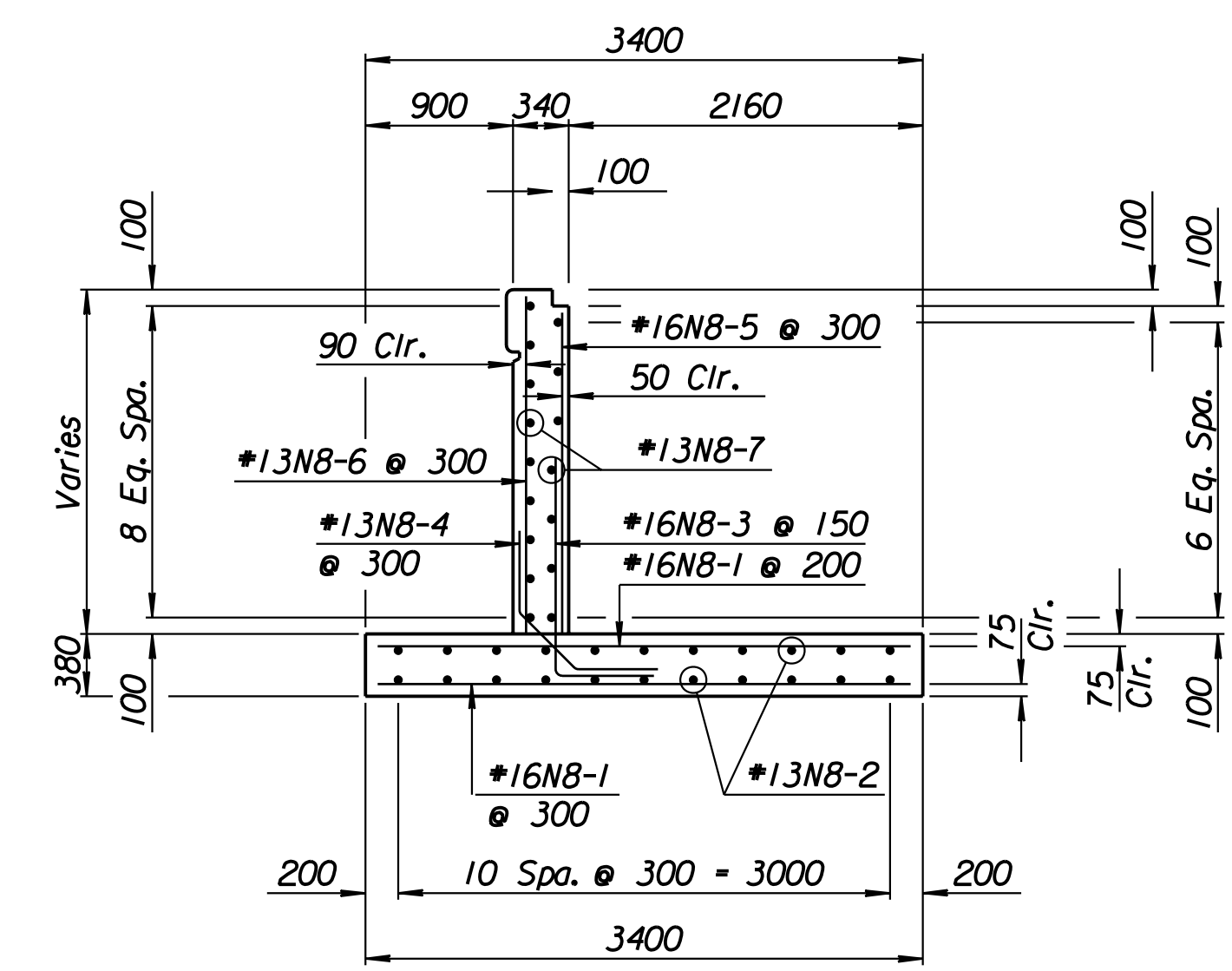
**BENDING DIAGRAMS**  
All dimensions are out to out of bars.



**ELEVATION**



**PLAN**



**SECTION A-A**

Drawn by: wil  
 Plotted by: drp  
 3-25-2002  
 I:/1997/97362/As-Built/dgn/s/Wall-1.3.dgn  
 Last Rev: 8-24-07  
 By: gdr

**RECORD DRAWING**

1			
No.	Revisions	By	Date
CITY OF WICHITA			
<b>TYLER SOUTHWEST WALL</b>			
STA. 16+915.882 TO STA. 16+945.132			
SEDGWICK COUNTY			
<b>Professional Engineering Consultants, P.A.</b> <small>303 S. TOPEKA • WICHITA, KANSAS 67202          316-262-2691 • FAX 316-262-3003</small>			
Designed by	P.D.F.	Checked by	R.A.S.
Drawn by	W.L.L.	Date	April 11, 2002
		Job No.	97362