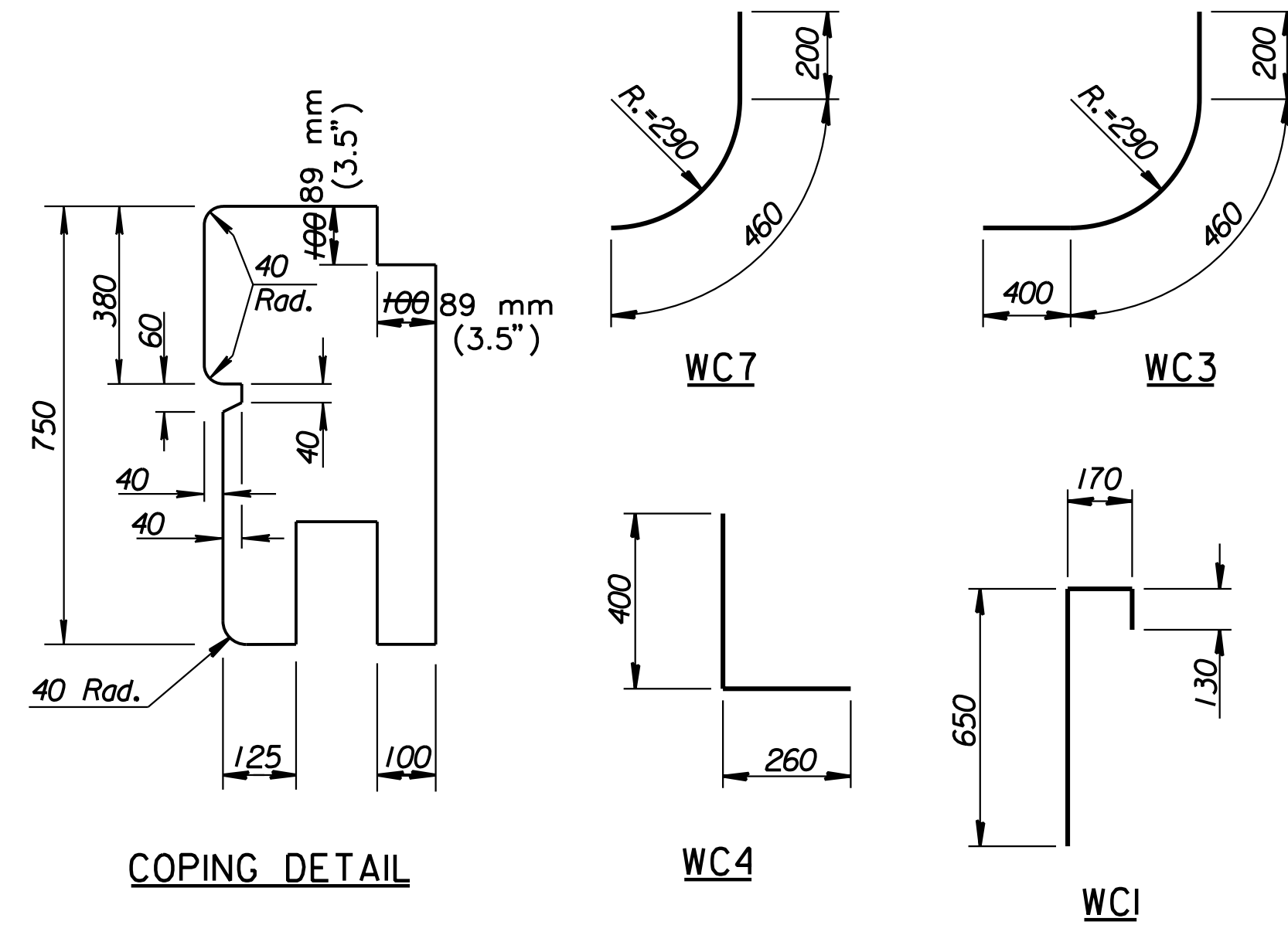
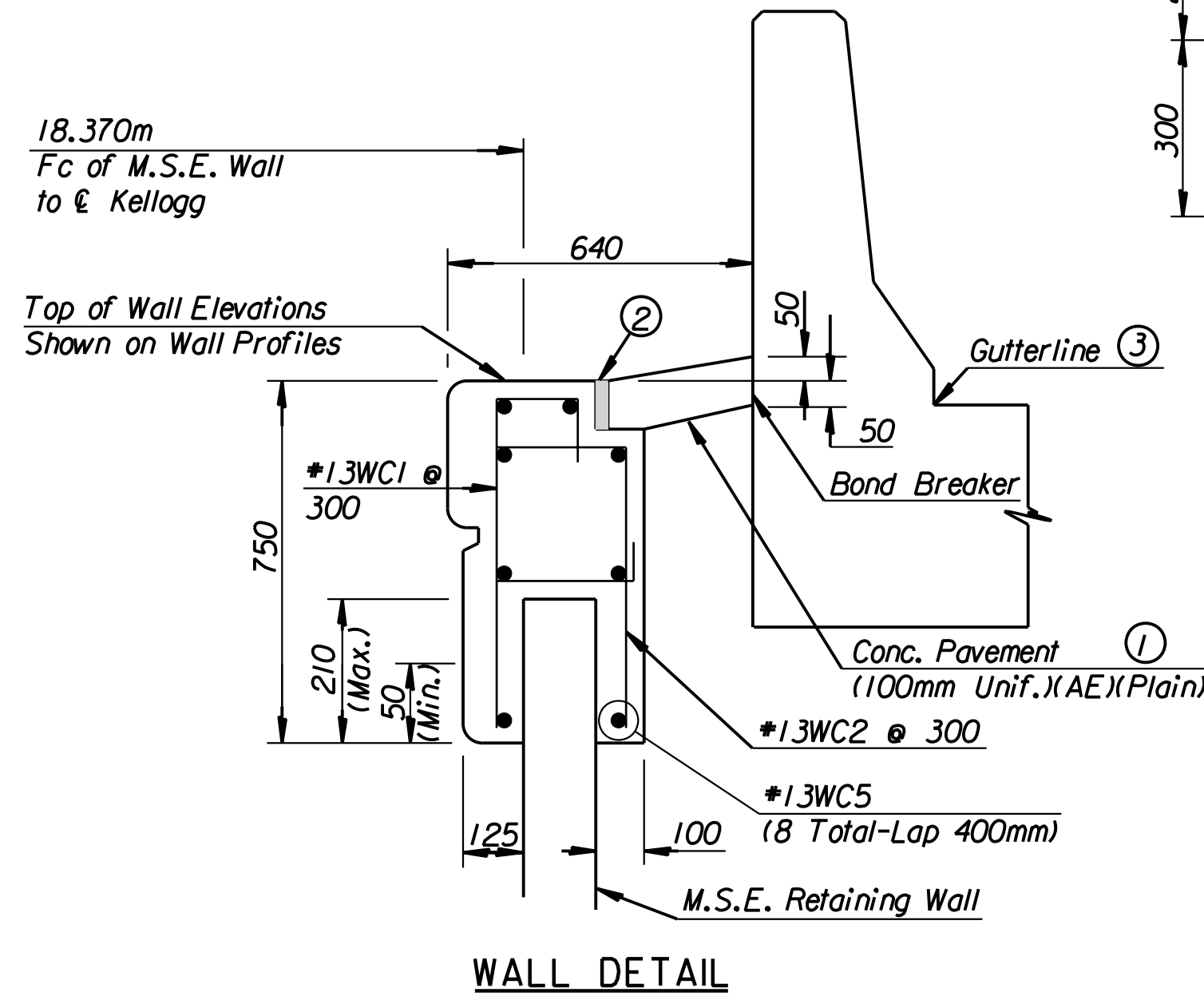


FHWA REGION NO.	STATE	PROJECT NO.	YEAR	SHEET NO.	TOTAL SHEETS
7	KANSAS	54-87 K-6657-01	2002	376	1122



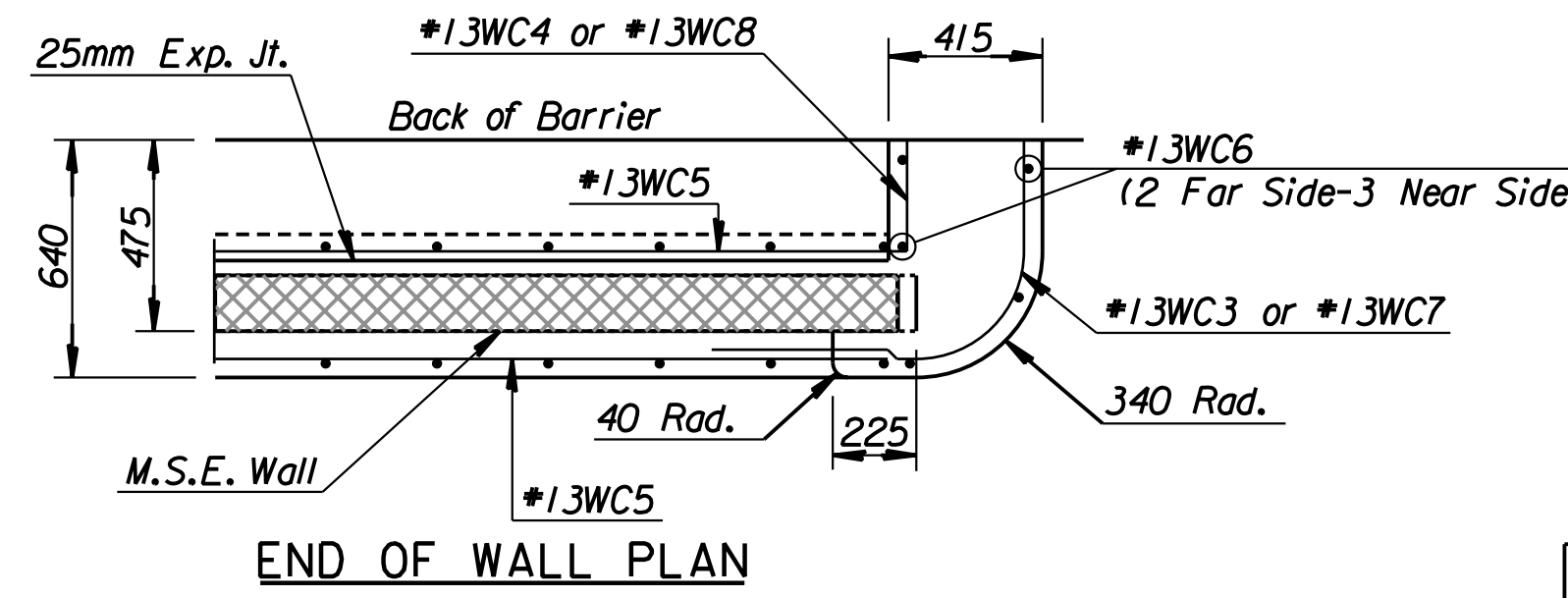
COPING DETAIL

Note: Vertical planes of weakness (Contraction Joints) shall be provided in the coping at 3.0m intervals. Method of constructing planes of weakness shall be approved by the Engineer. Provide 40 mm rebar end clearance to contraction joints.

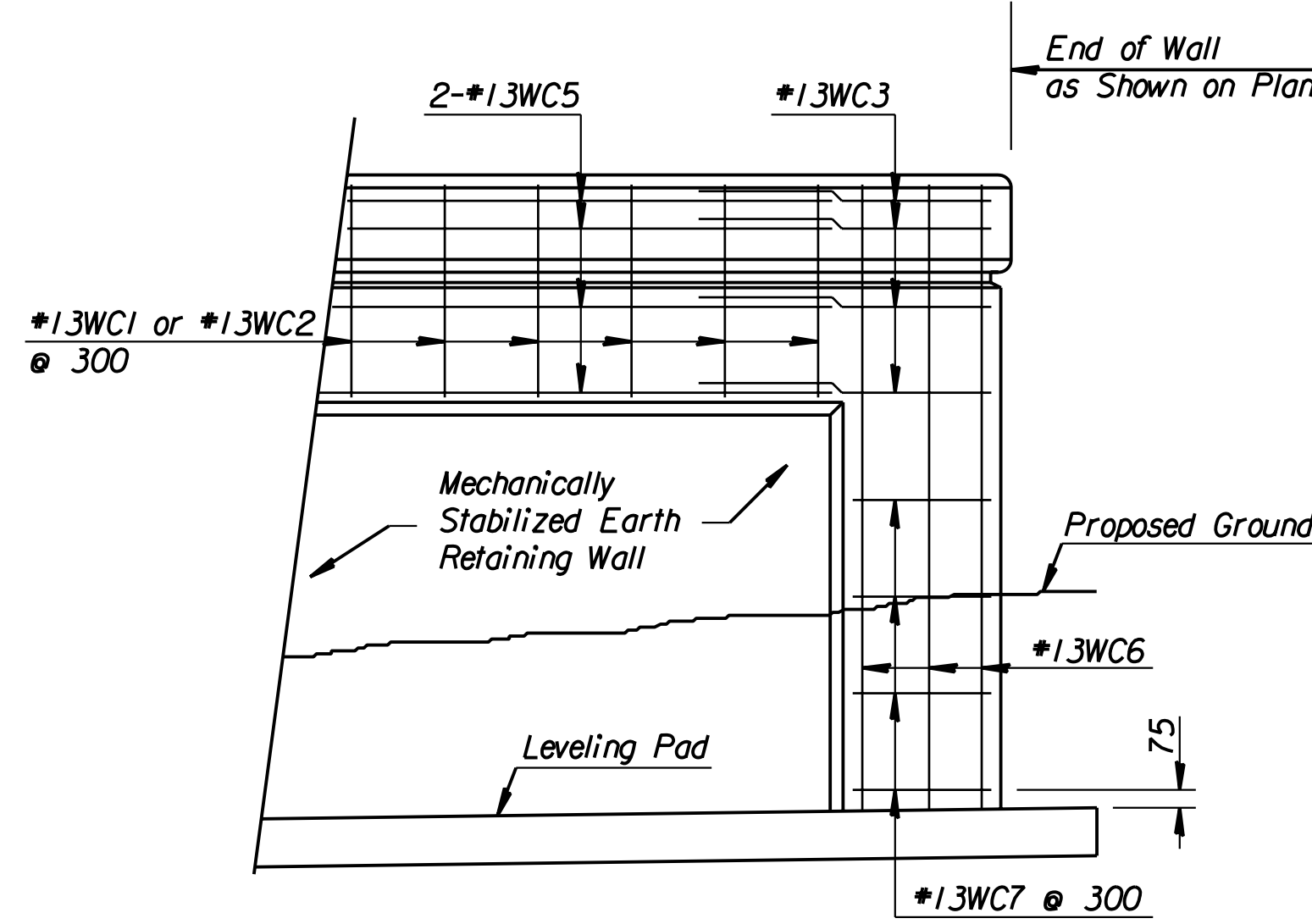


WALL DETAIL

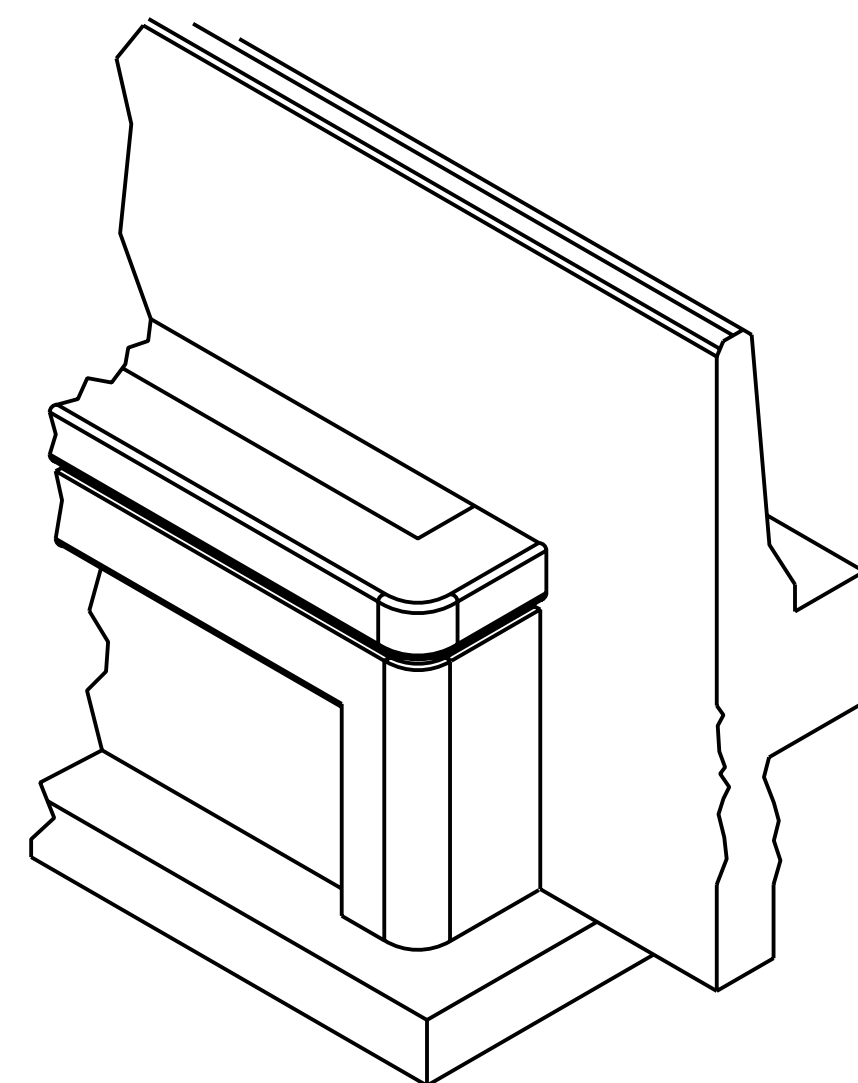
- Quantity shown on plans is for Cast-in-Place Retaining Wall alternate. No adjustment in quantities will be made for M.S.E. Retaining Wall alternate and any variation in quantity shall be incidental to M.S.E. Retaining Wall construction.
- 25 mm Expansion Joint
- Top of Retaining Wall is located 50 mm above Gutterline. Top of wall elevation are shown on wall profiles.



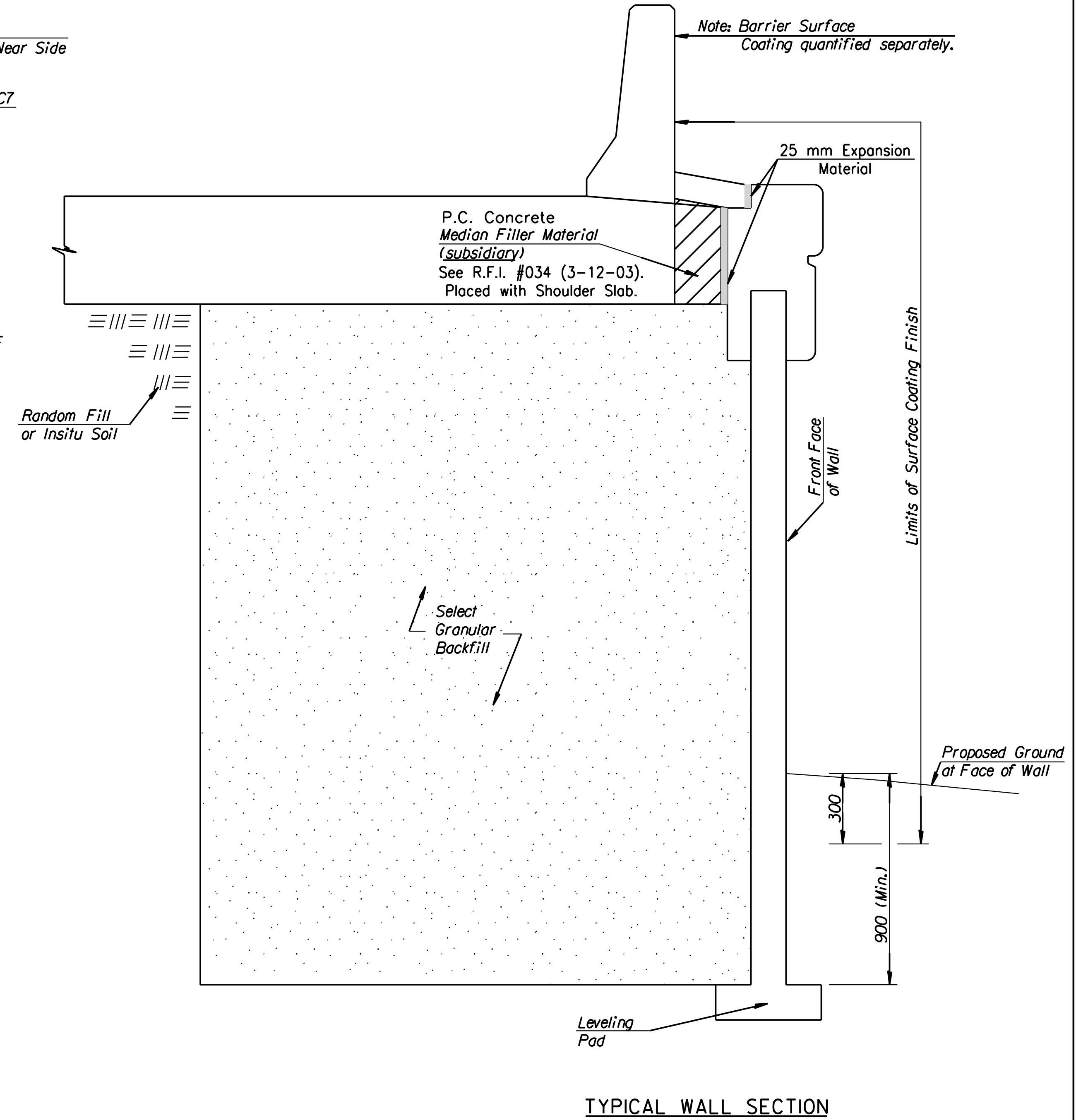
END OF WALL PLAN



END OF WALL ELEVATION



See Tyler & Maize Road Bridge plans for detail of wall termination at abutments.



1			
No.	Revisions	By	Date
CITY OF WICHITA			
MECHANICALLY STABILIZED EARTH RETAINING WALLS			
MISC. DETAILS			
SEDGWICK COUNTY			
Professional Engineering Consultants, P.A. 303 S. TOPEKA - WICHITA, KANSAS 67202 316-262-2691 - FAX 316-262-3003			
Designed by	RWM,RAS	Checked by	WDH
Drawn by	JSB	Date	April, 2002
		Job No.	97362

RECORD DRAWING