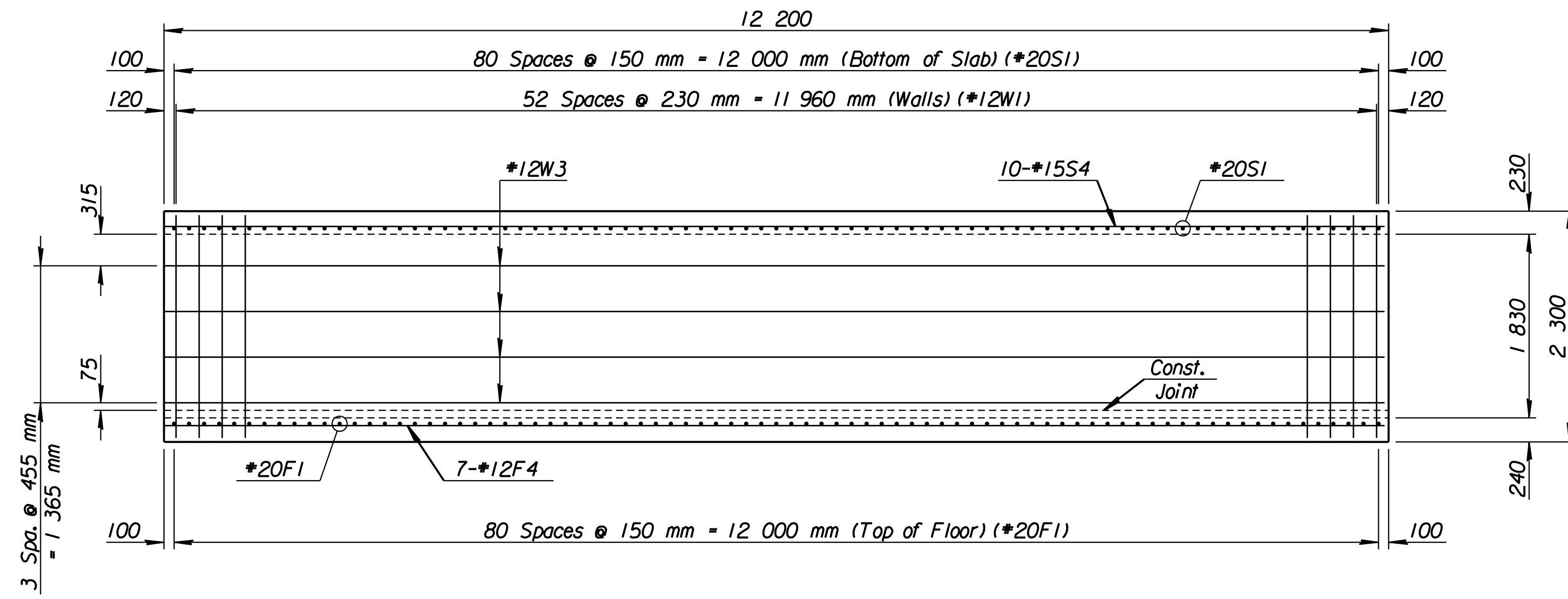
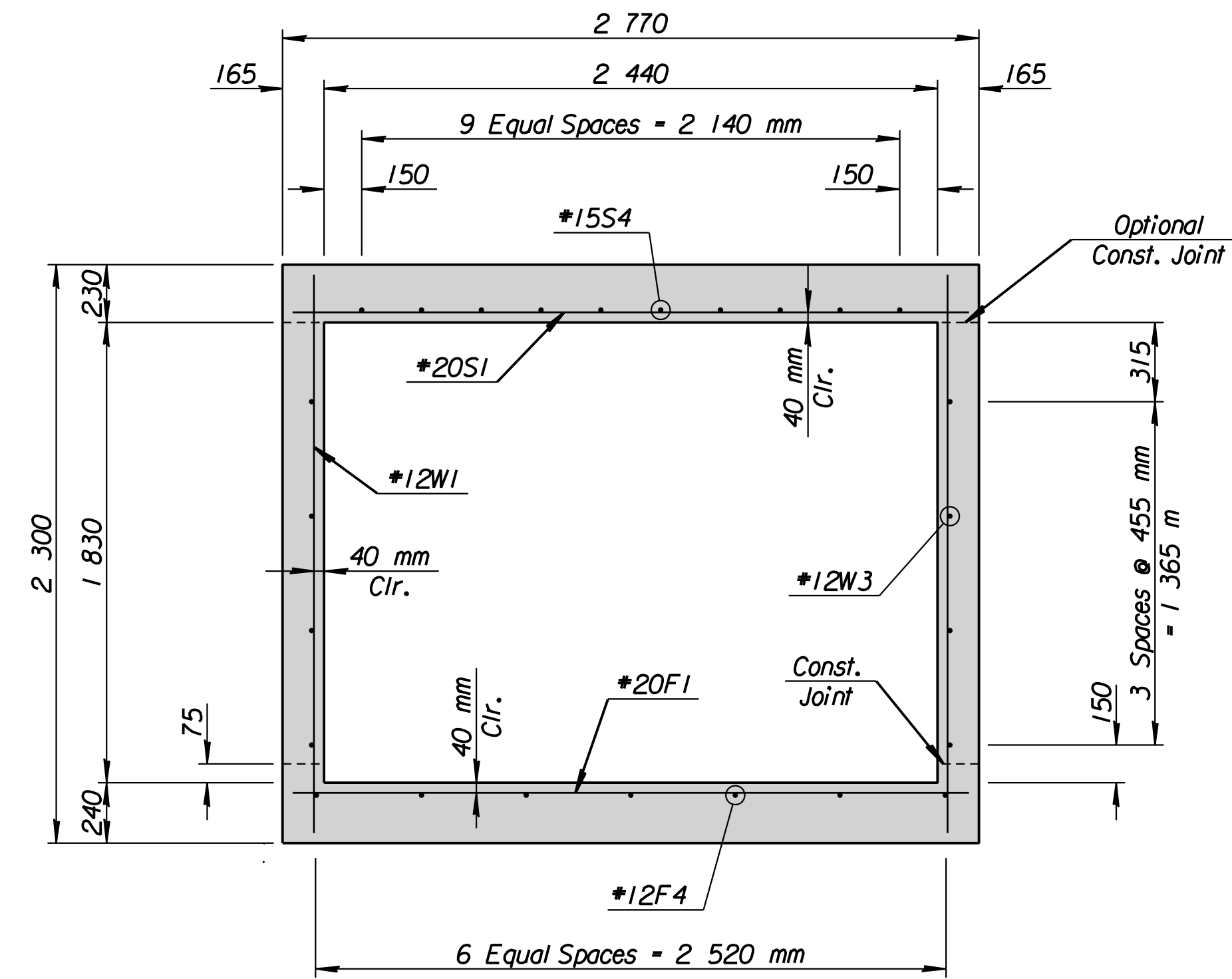


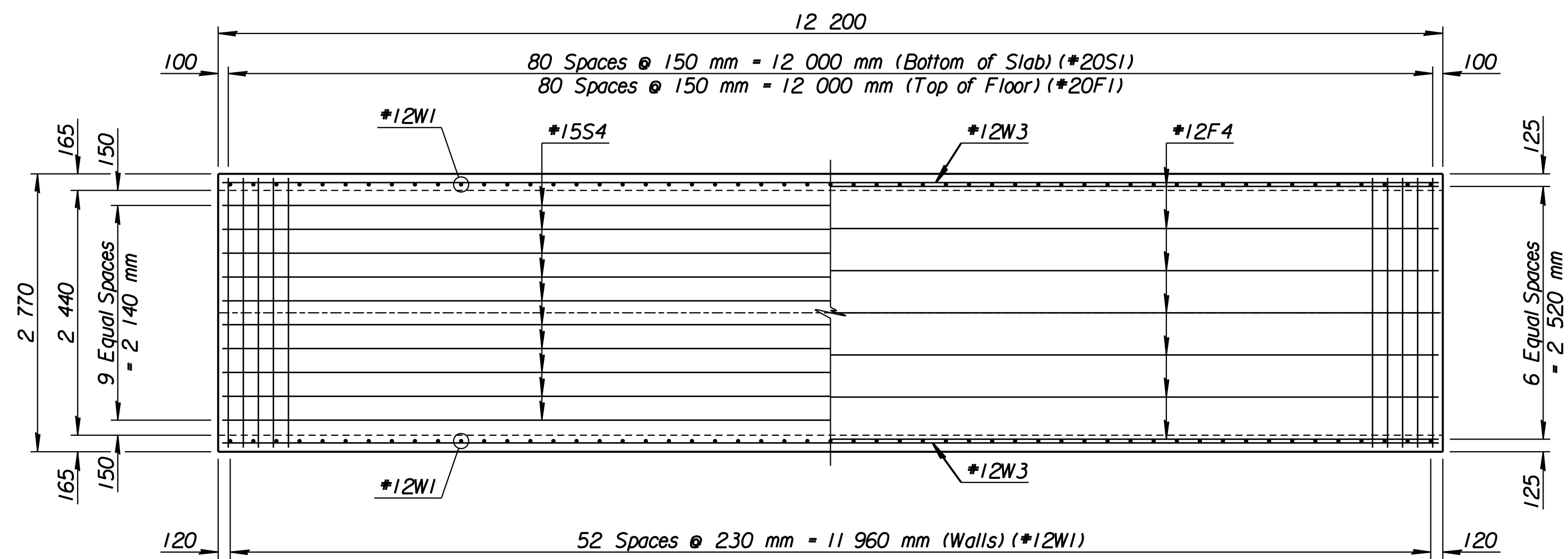
STATE	PROJECT NO.	YEAR	SHEET NO.	TOTAL SHEETS
KANSAS	54-87 K-6657-01	2002	407	1122



ELEVATION



TYPICAL SECTION



SLAB REINFORCEMENT

FLOOR REINFORCEMENT

PLAN

REINFORCING STEEL							
Straight Bars				Bent Bars			
Mark	No.	Size	Length	Mark	No.	Size	Length
F1	81	#20	2 670				
F4	7	#12	12 100				
S1	81	#20	2 670				
S4	10	#15	12 100				
W1	106	#12	2 210				
W3	8	#12	12 100				

SUMMARY OF QUANTITIES		
Item	Quantity	Unit
Class AAA Concrete	23.3	m ³
Reinforcing Steel (Grade 420)	1 622	kg

Note:
Reinforcing steel schedule indicates reinforcing for ONE 2.4 x 1.8 x 12.2 m R.C.B. Section. Total sections = 10, from (C) to (O).
See Plan Profile Sheets for total number required.
See Sheet No. 401 for General Notes.

1			
No.	Revisions	By	Date
CITY OF WICHITA			
TYPICAL 2.4 x 1.8 x 12.2 m R.C.B. SECTION KELLOGG (US-54)			
SEDGWICK COUNTY			
Professional Engineering Consultants, P.A. 303 S. TOPEKA • WICHITA, KANSAS 67202 316-262-2691 • FAX 316-262-3003			
Designed by	RWA	Checked by	RAS
Drawn by	GDR	Date	April, 2002
		Job No.	97362

RECORD DRAWING