

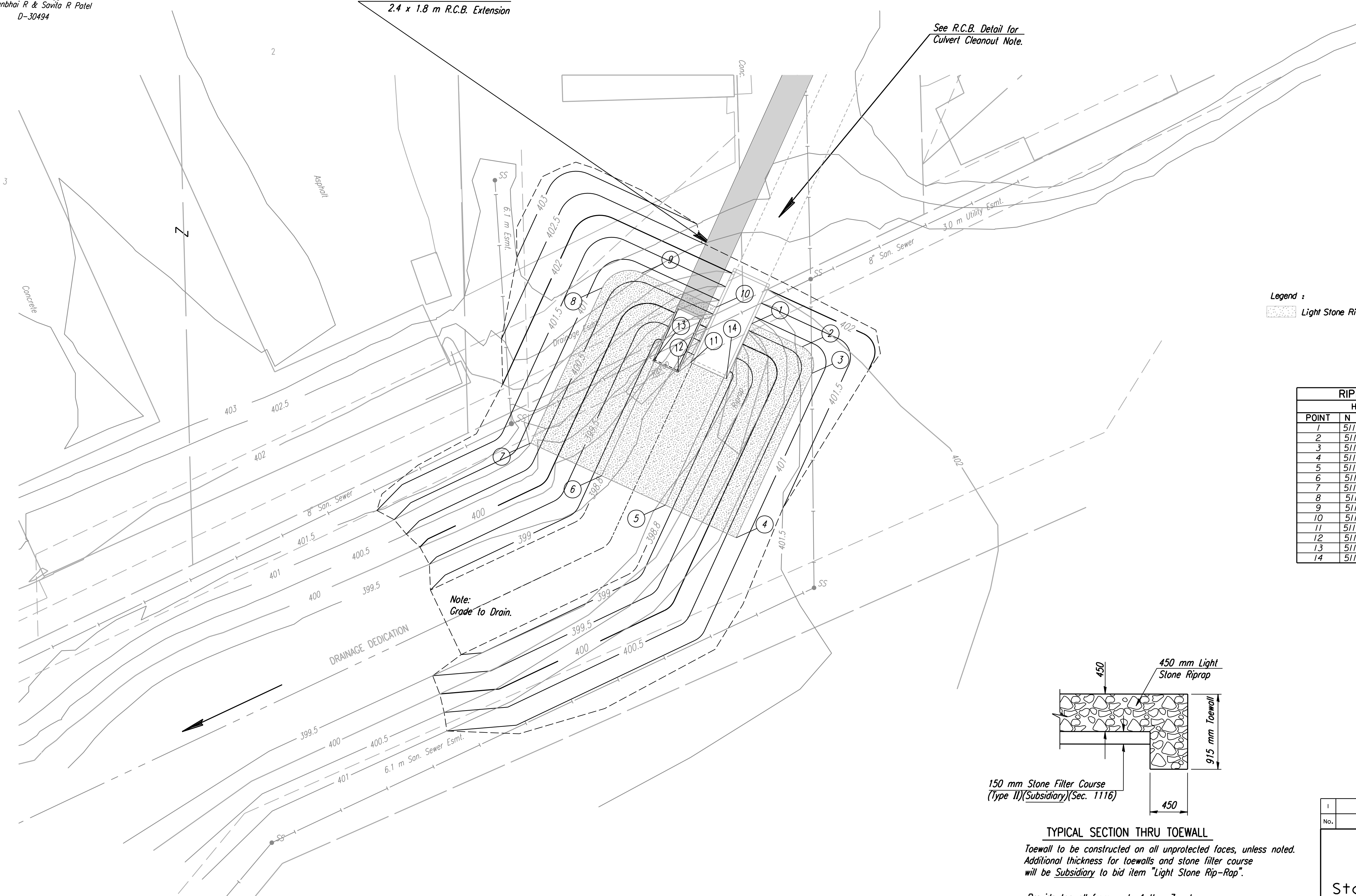
STATE	PROJECT NO.	YEAR	SHEET NO.	TOTAL SHEETS
KANSAS	54-87 K-6657-01	2002	410	1122

Top Hat Motel
9027 W Kellogg
Ramanbhar R & Savita R Patel
D-30494

Nelson, Inc.
9021 W Kellogg

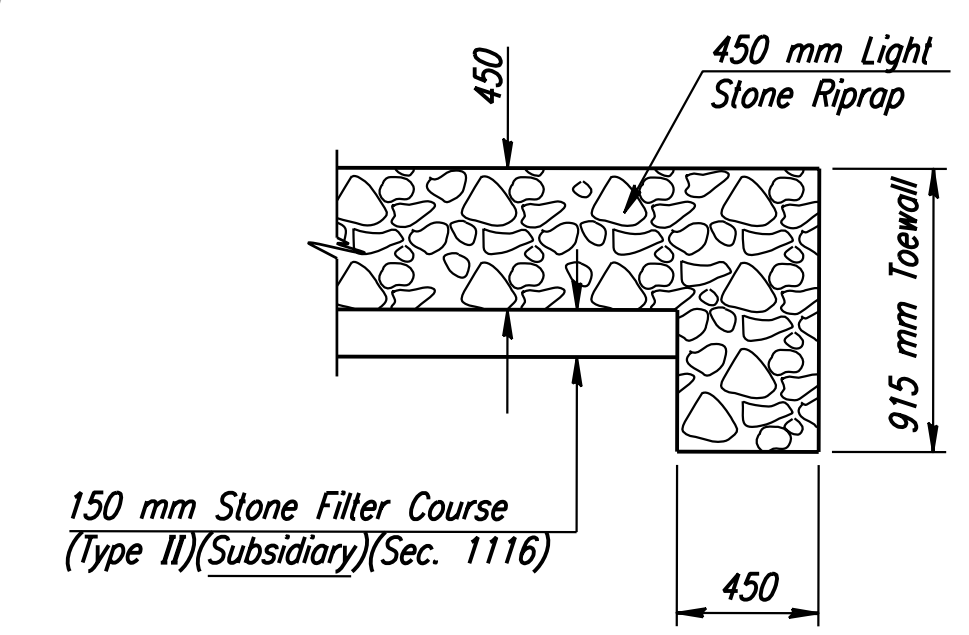
See Sheet No. 408 for
2.4 x 1.8 m R.C.B. Extension

See R.C.B. Detail for
Culvert Cleanout Note.



Legend :
Light Stone Riprap

RIPRAP INFORMATION			
HEADWALL OUTFALL			
POINT	N COORD.	E COORD.	ELEVATION
1	511756.334	492948.340	400.750
2	511754.019	492953.365	400.750
3	511751.366	492954.346	400.750
4	511734.945	492946.785	400.750
5	511738.207	492939.700	398.800
6	511741.135	492933.341	398.800
7	511744.397	492926.256	400.750
8	511759.911	492933.399	400.750
9	511761.381	492937.379	400.750
10	511757.971	492944.784	400.750
11	511752.450	492942.242	398.617
12	511751.472	492940.985	398.674
13	511752.614	492938.462	398.674
14	511750.814	492945.795	398.617



TYPICAL SECTION THRU TOEWALL
Toewall to be constructed on all unprotected faces, unless noted.
Additional thickness for toewalls and stone filter course will be Subsidiary to bid item "Light Stone Rip-Rap".
Provide toewall from node 4 thru 7 only

RECORD DRAWING

1			
No.	Revisions	By	Date
CITY OF WICHITA			
OUTFALL RIPRAP			
Sta. 16+983.669		110.67 Rt.	
SEDGWICK COUNTY			
Professional Engineering Consultants, P.A.			
<small>303 S. TOPEKA • WICHITA, KANSAS 67202 316-262-2691 • FAX 316-262-3003</small>			
Designed by	RAS	Checked by	RAS
Drawn by	WLL	Date	Apr 11, 2002
		Job No.	97362

DSNR: RAS OPR: RAS SCALE: 1:200
 1/1997/97362/As-Built/sgn's/Vol. 2/54_410-rb17trip.dgn Last Rev.: 8-28-07 By: gdr