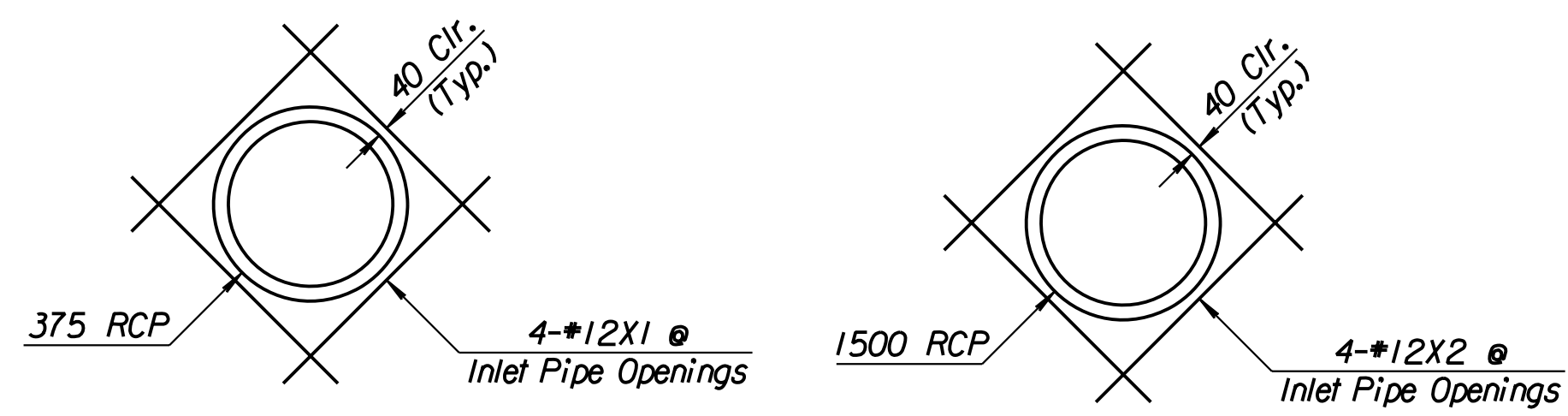
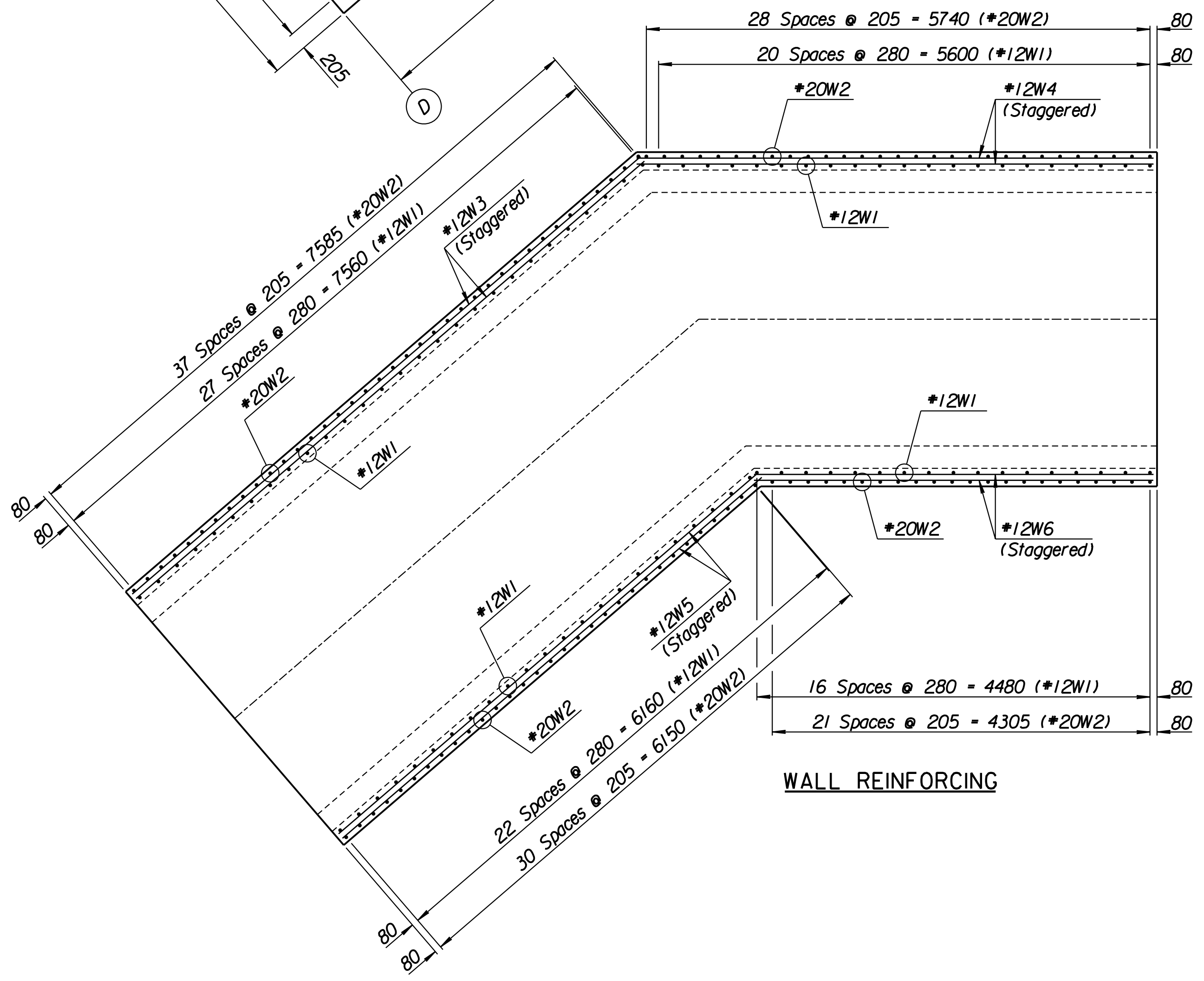
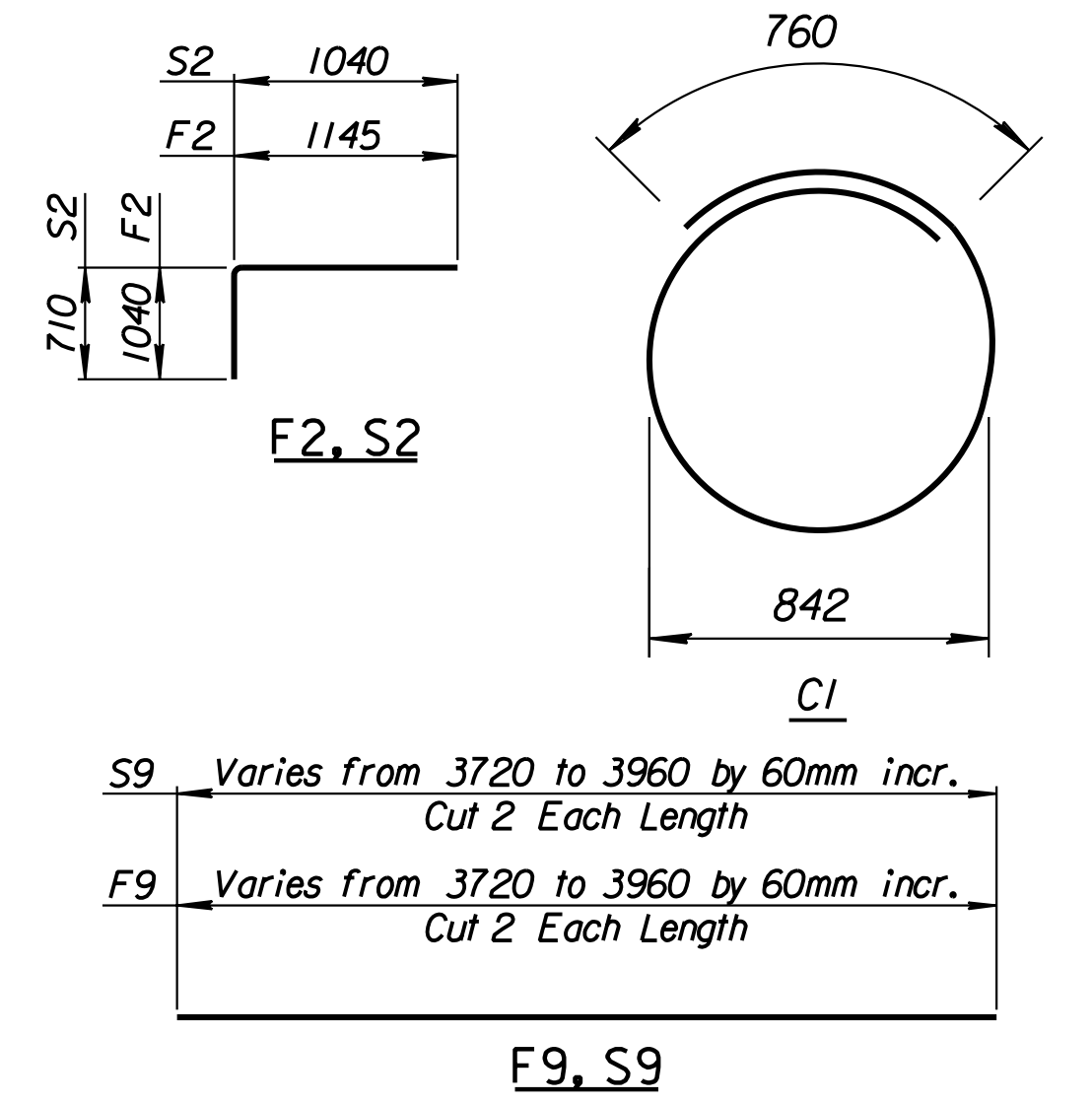
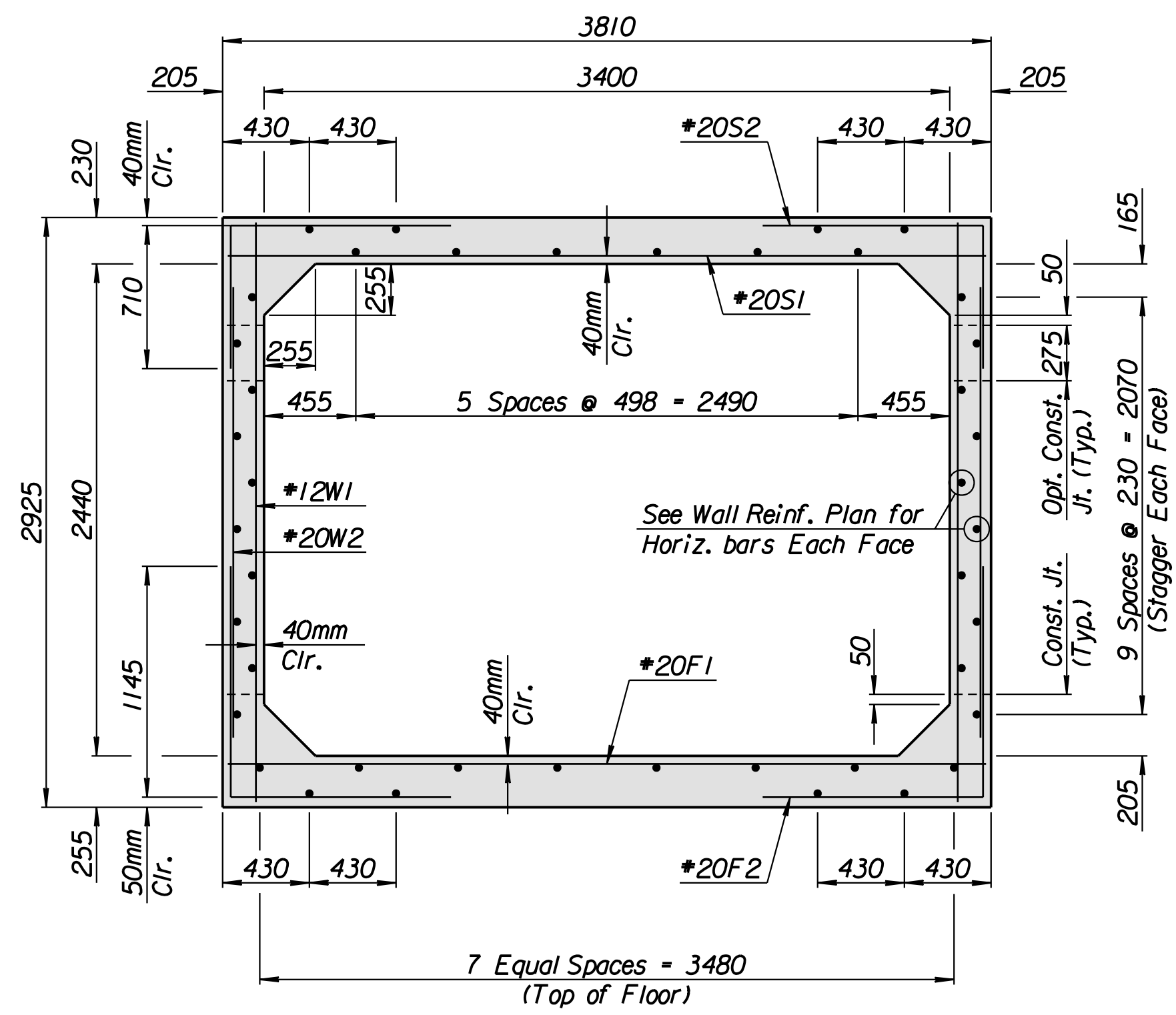
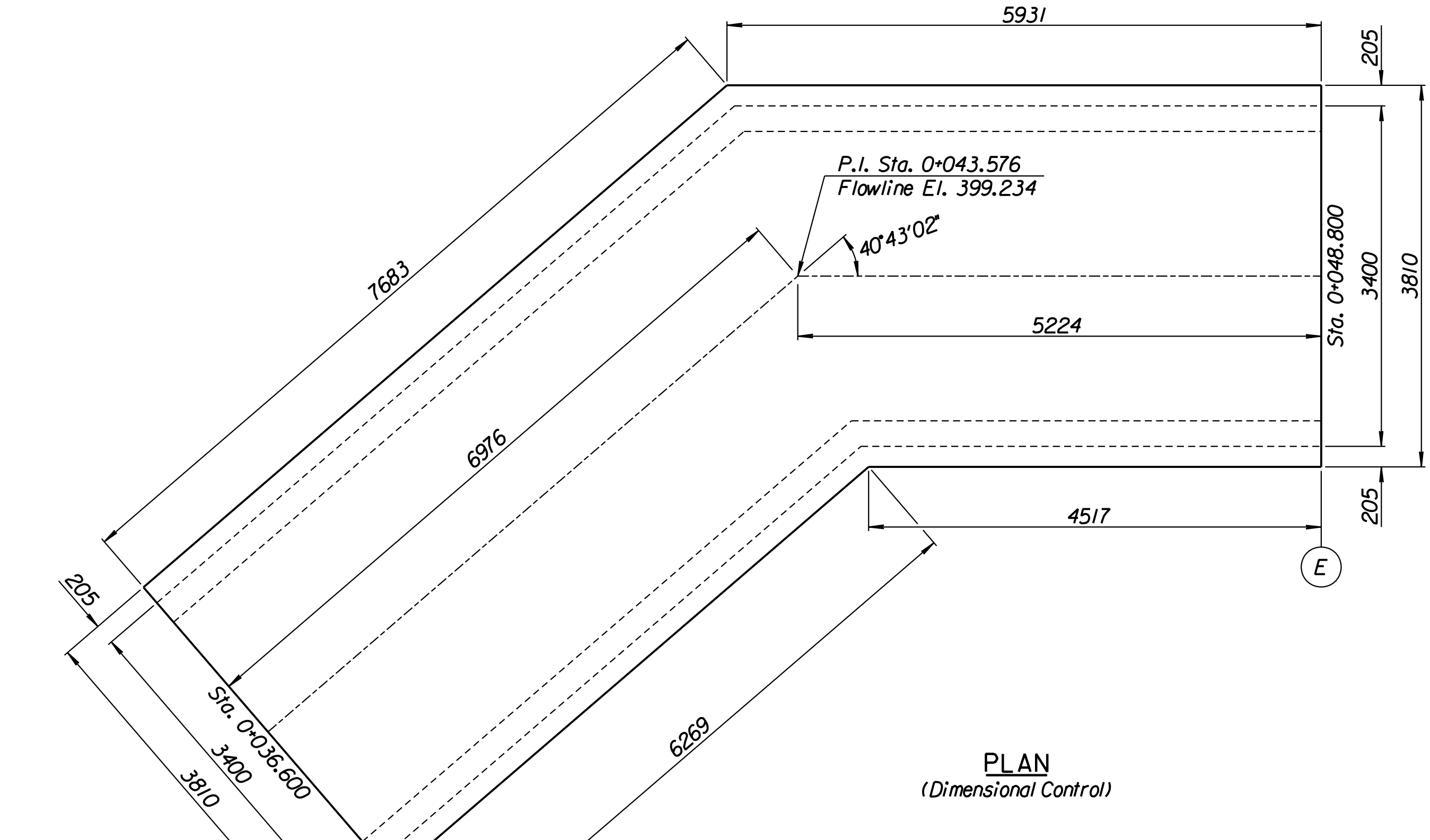


STATE	PROJECT NO.	YEAR	SHEET NO.	TOTAL SHEETS
KANSAS	54-87 K-6657-01	2002	414	1122



**INLET PIPES INTO BOXES**

Station	Pipe Size (mm)	€	Location
0+066.795	375	401.154	(F) to (G)
0+123.795	375	401.259	(K) to (L)
0+267.281	375	401.523	(V) to (W)
0+267.281	375	401.516	(V) to (W)
0+225.660	1500	400.216	(S) to (T)

**REINFORCING STEEL**

Straight Bars				Bent Bars			
Mark	No.	Size	Length	Mark	No.	Size	Length
F1	75	*20	3710	F2	120	*20	2185
F4	8	*12	7640	S2	120	*20	1750
F5	4	*12	7620				
F6	4	*12	5920				
F8	8	*12	5890				
F9	9	*20	Varies				
S1	75	*20	3710				
S4	6	*12	7640				
S5	4	*12	7620				
S6	4	*12	5920				
S8	6	*12	5890				
S9	9	*20	Varies				
S10	4	*20	3750				
W1	89	*12	2820				
W2	120	*20	2235	CI	1	*20	3410
W3	10	*12	7620				
W4	10	*12	5890				
W5	10	*12	6270				
W6	10	*12	4470				
X1	16	*12	700				
X2	4	*20	2060				

**SUMMARY OF QUANTITIES**

Item	Quantity	Unit
Class AAA Concrete	36.3	m <sup>3</sup>
Reinforcing Steel (Grade 420)	4162	kg

Note:  
See Plan Profile Sheets for location of this R.F.B. Section.  
See Sheet No. 413 for General Notes.

1			
No.	Revisions	By	Date
CITY OF WICHITA			
<b>SPECIAL 3.4x2.4x12.2M R.F.B. SECTION AT P.I.</b>			
KELLOGG (US-54)			
SEDGWICK COUNTY			
Professional Engineering Consultants, P.A. 303 S. TOPEKA • WICHITA, KANSAS 67202 316-262-2691 • FAX 316-262-3003			
Designed by	R.W.A.	Checked by	R.A.S.
Drawn by	W.L.L.	Date	April 11, 2002
		Job No.	97362

**RECORD DRAWING**

Drawn by: wil  
 Plotted by: ras 2-8-2002  
 I:/1997/97362/As-Builts/dgn/sr/Vol\_2/Sh\_414-34BEND.dgn Last Rev.: 8-28-07 Ely: gdr