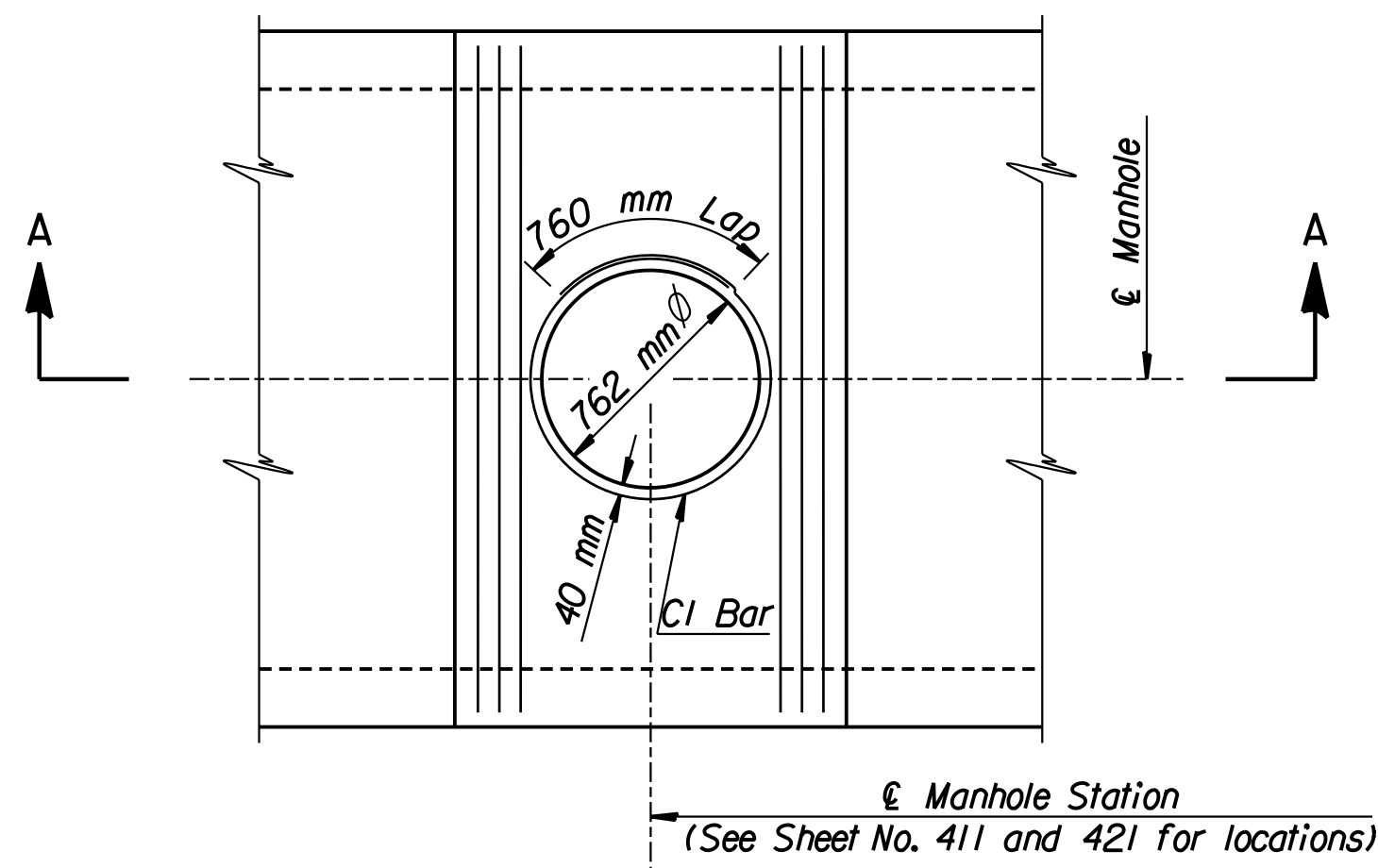


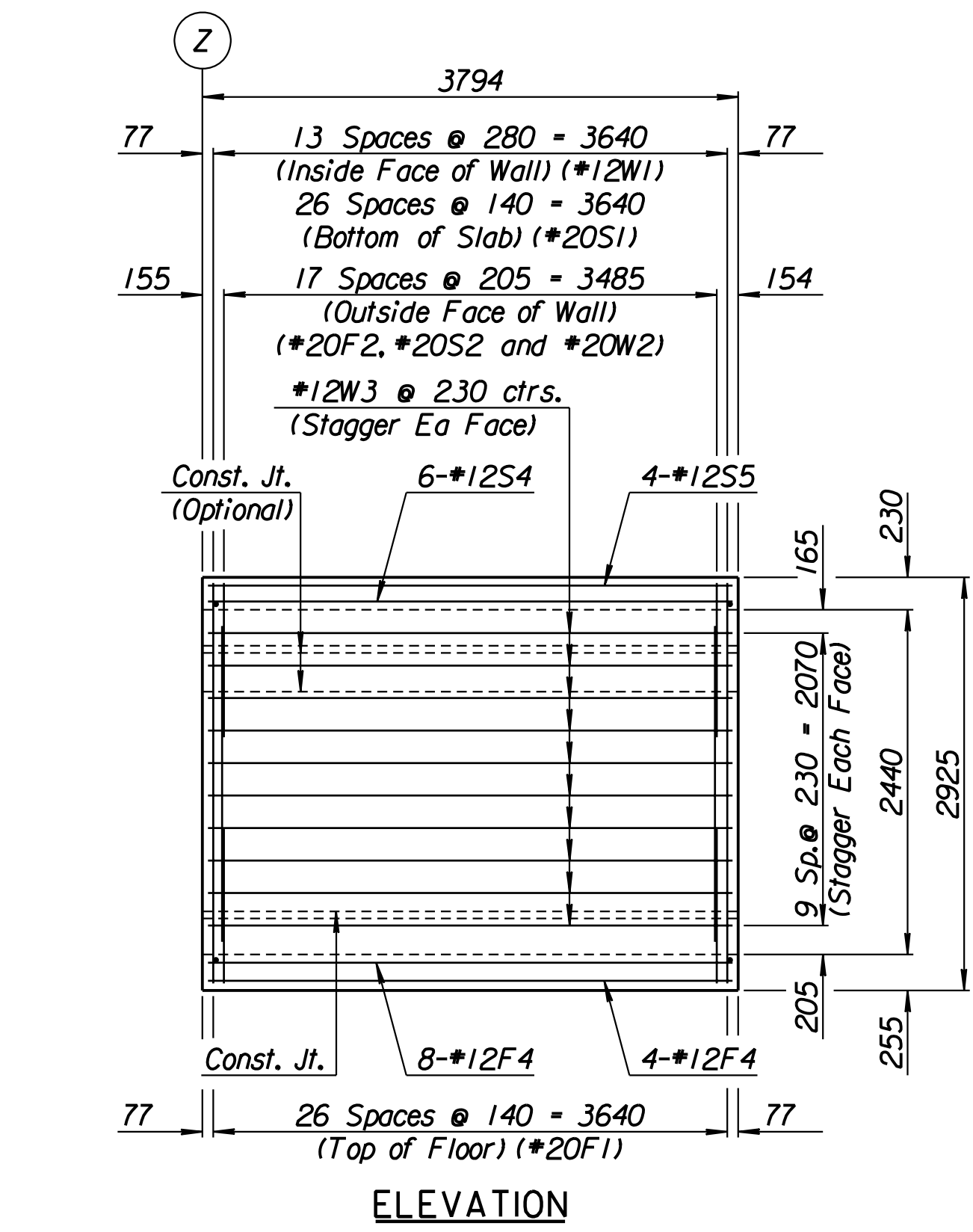
SECTION A-A  
(Manhole Location)



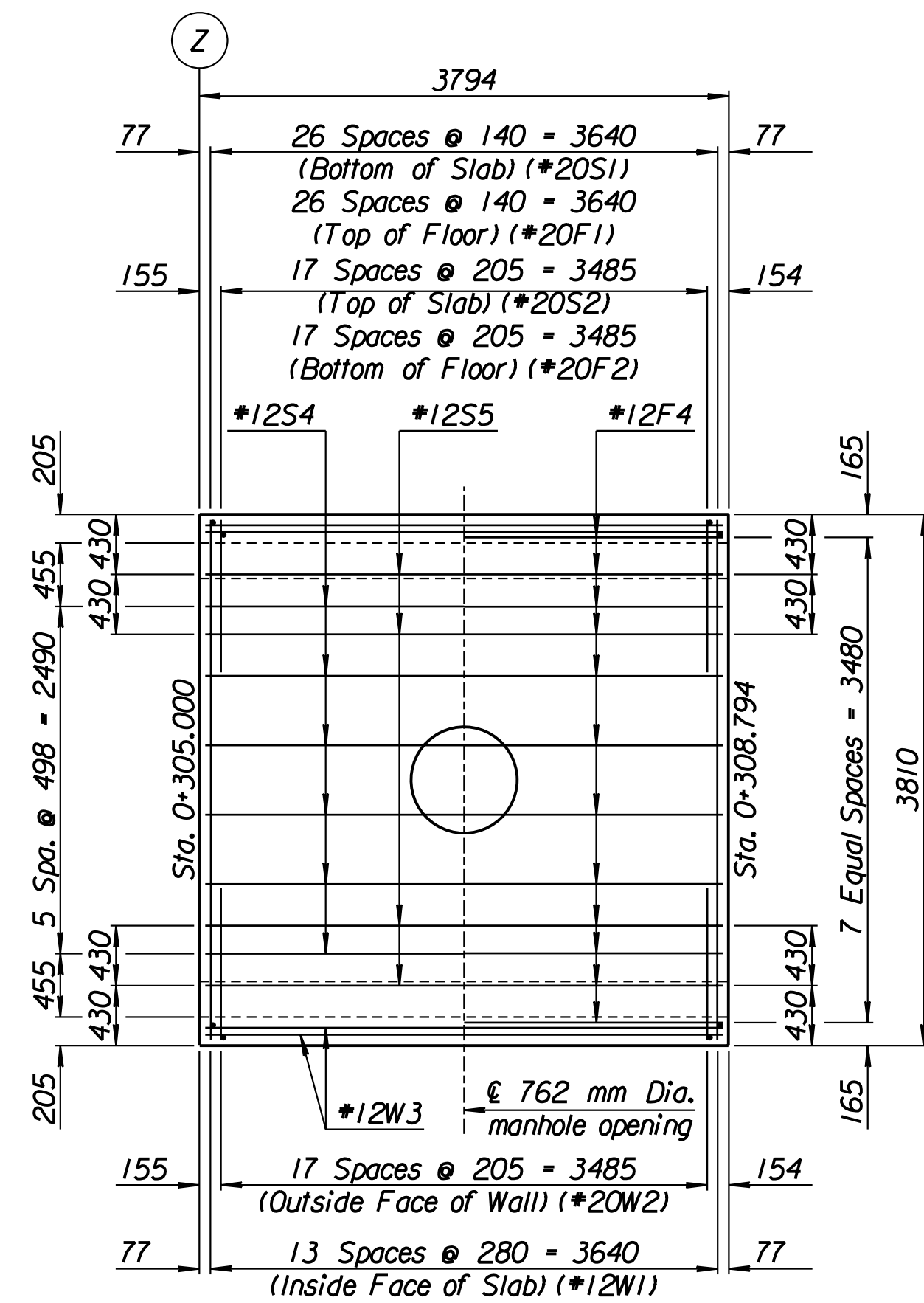
PLAN

SPECIAL MANHOLE DETAILS

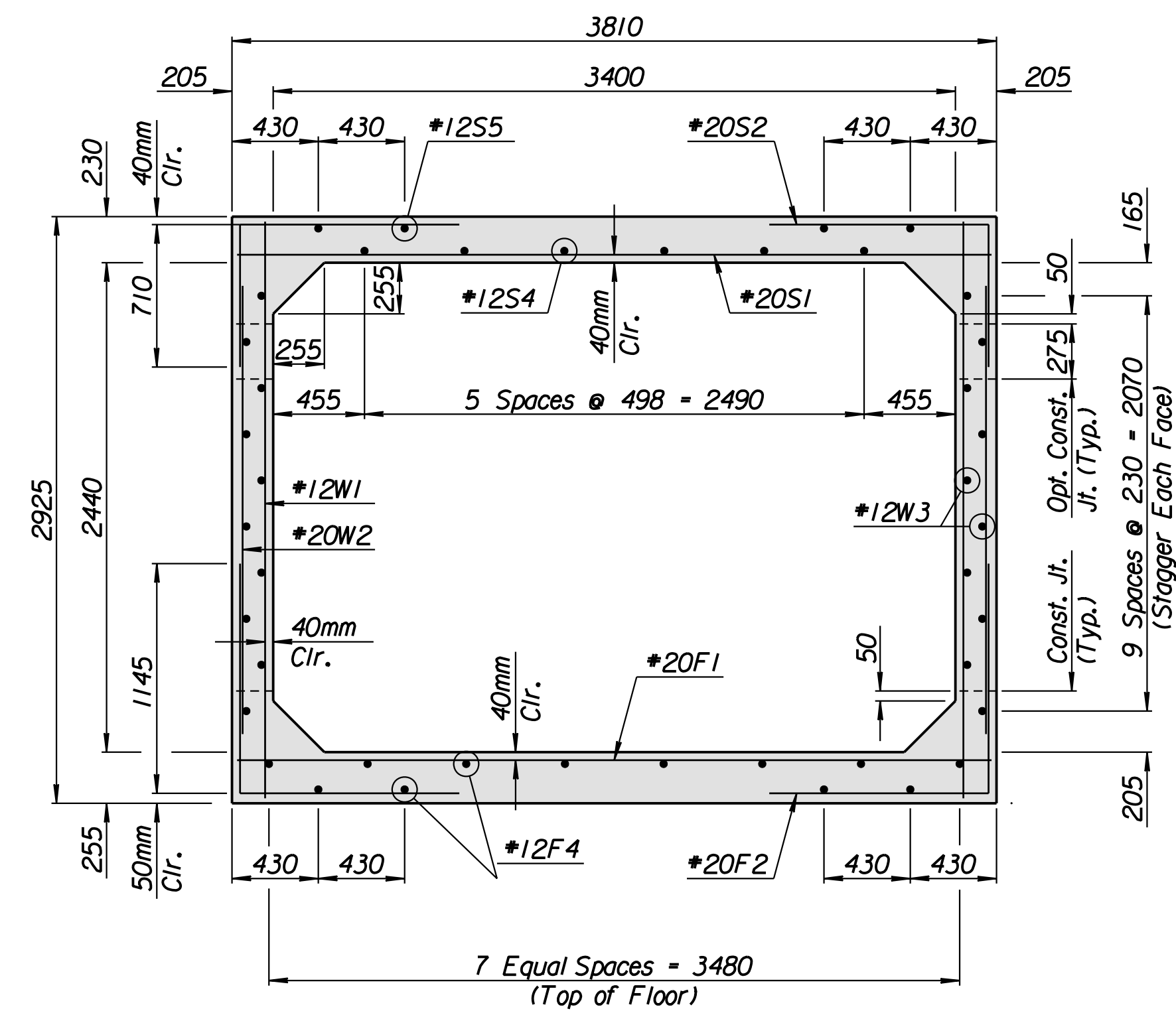
Note:  
Cut or bend steel to clear Manhole  
Opening by 40 mm. Place additional  
6-\*20x3710 mm Bars and 1-\*20 CI Bar.



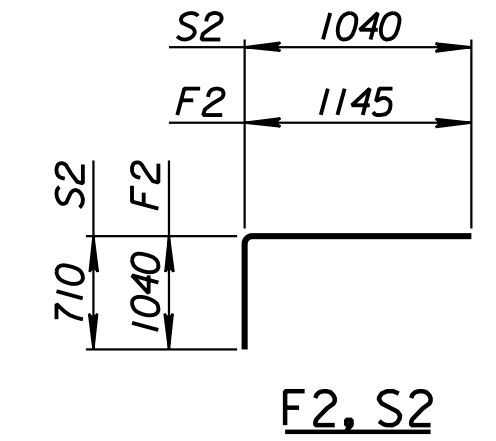
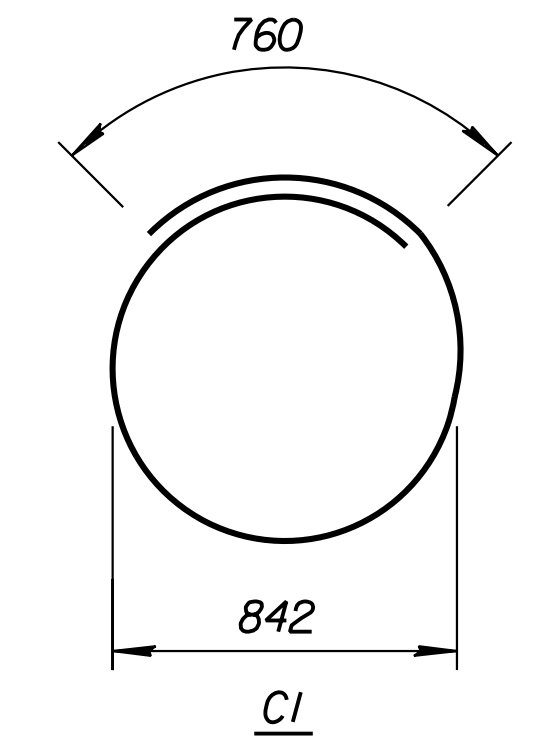
ELEVATION



PLAN



TYPICAL SECTION



BENDING DIAGRAMS  
Dimensions are out to out of bars

REINFORCING STEEL							
Straight Bars				Bent Bars			
Mark	No.	Size	Length	Mark	No.	Size	Length
F1	27	*20	3710	F2	36	*20	2185
F4	12	*12	3690				
				S2	36	*20	1750
S1	31	*20	3710				
S4	6	*12	3690				
S5	4	*12	3690	CI	1	*20	3410
W1	28	*12	2820				
W2	36	*20	2235				
W3	20	*12	3690				

SUMMARY OF QUANTITIES		
Item	Quantity	Unit
Class AAA Concrete	11.3	m <sup>3</sup>
Reinforcing Steel (Grade 420)	1270	kg

Note:  
Reinforcing steel schedule indicates reinforcing for  
ONE 3.4x2.4x3.794m R.F.B. Section.

See Plan Profile Sheets for location.  
See Sheet No. 413 for General Notes.

ADDENDUM #1:  
Sheet 417 The manholes on the RFB/RCB construction are as follows:

Manhole Station	H dimension	Top Elevation
0+043.576	1.845 m	403.749
0+306.897	2.711 m	405.124
0+662.413	3.072 m	405.850

Add the note: Manhole risers shall be either pre-cast concrete or cast-in-place concrete. Details shall be provided by the Contractor as a shop drawing submittal for approval by the Engineer. All material and work necessary for this construction is considered Subsidiary to other items for RFB/RCB construction.

No.	Revisions	By	Date
1			

CITY OF WICHITA

**3.4x2.4x3.794M R.F.B. DETAILS AND MISC. DETAILS**  
KELLOGG (US-54)

SEDGWICK COUNTY

Professional Engineering Consultants, P.A.  
303 S. TOPEKA • WICHITA, KANSAS 67202  
316-262-2691 • FAX 316-262-3003

Designed by	R.W.A.	Checked by	R.A.S.
Drawn by	W.L.L.	Date	April 11, 2002
		Job No.	97362

RECORD DRAWING