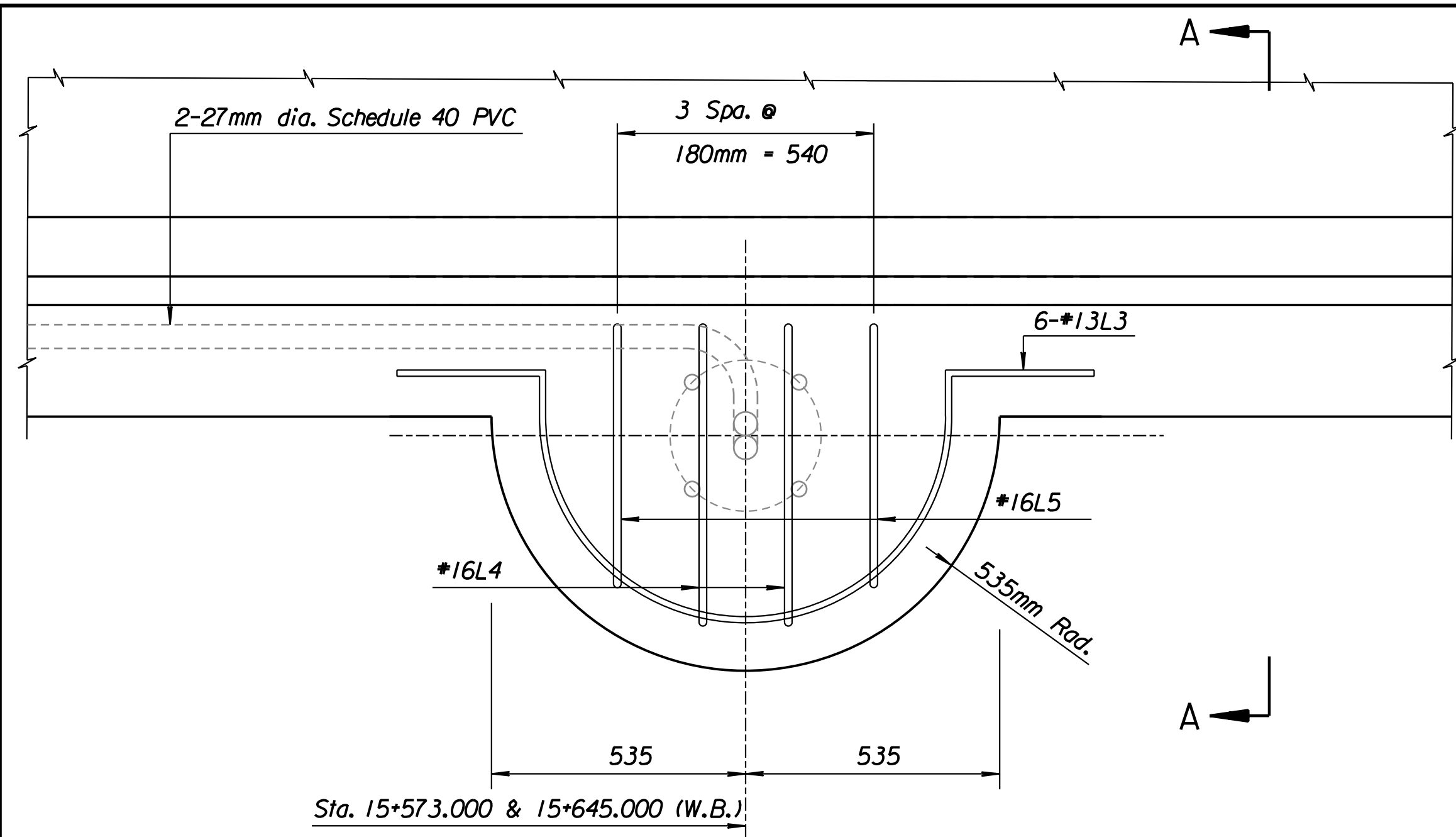
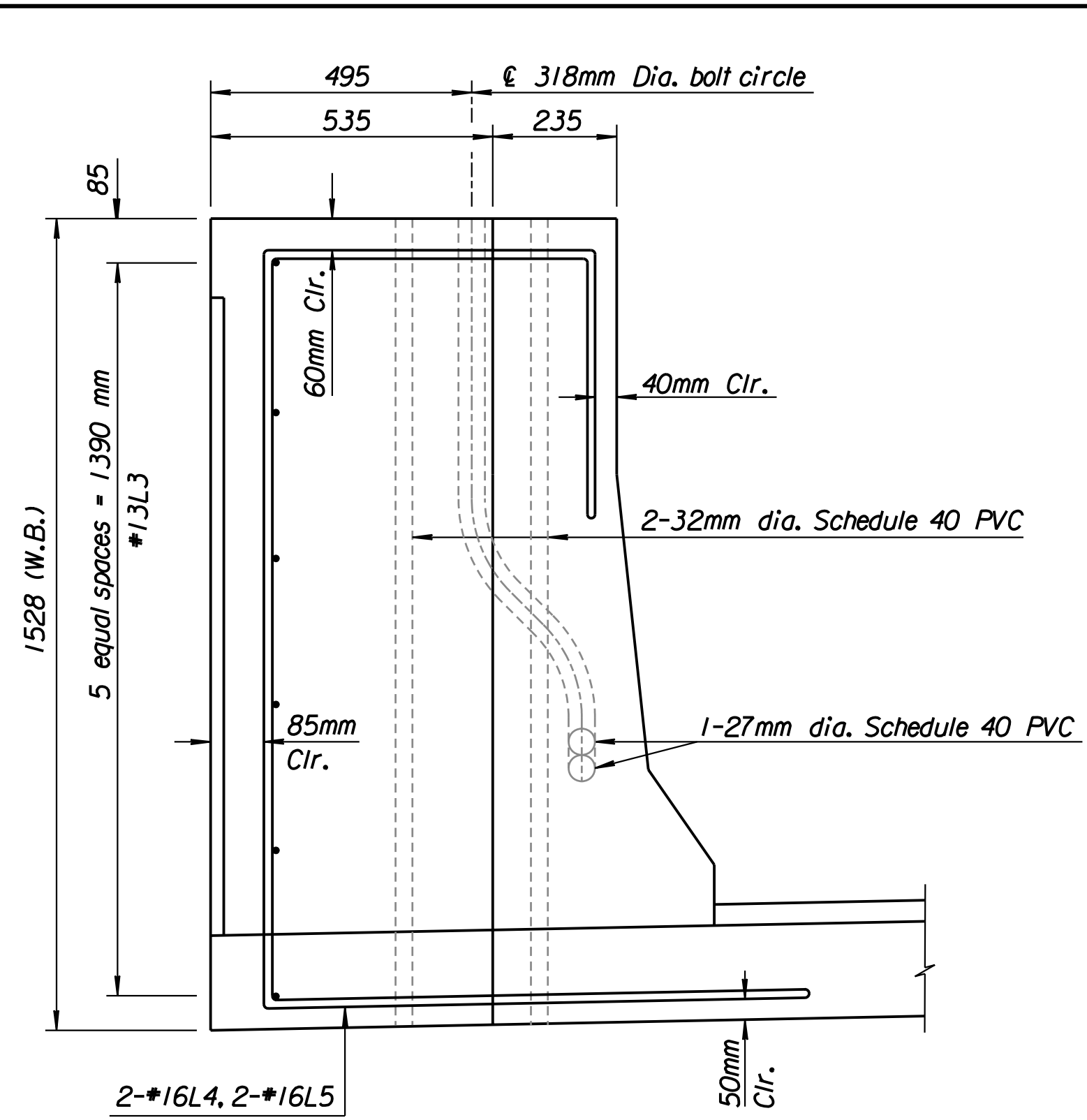


STATE	PROJECT NO.	YEAR	SHEET NO.	TOTAL SHEETS
KANSAS	54-87 K-6657-01	2002	472	1122

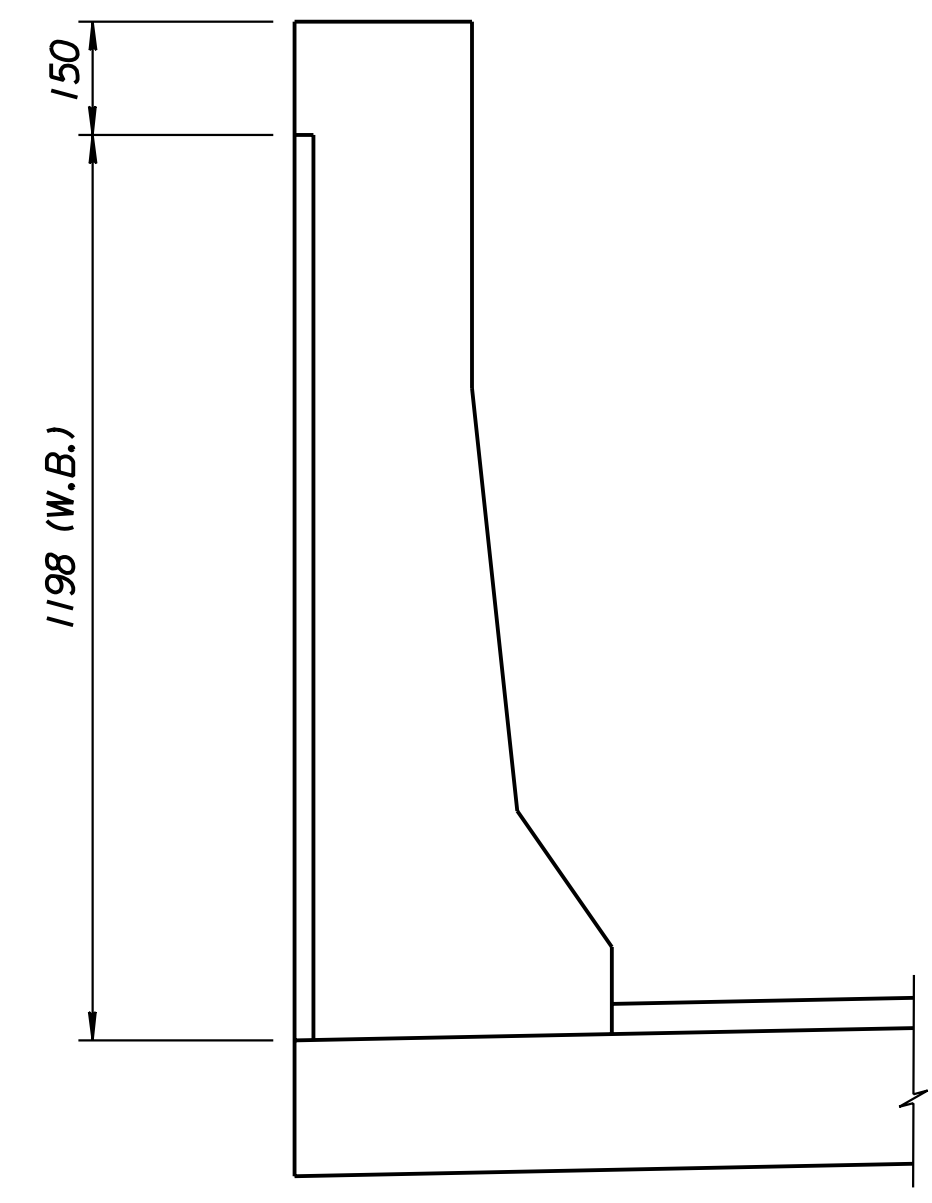


PLAN

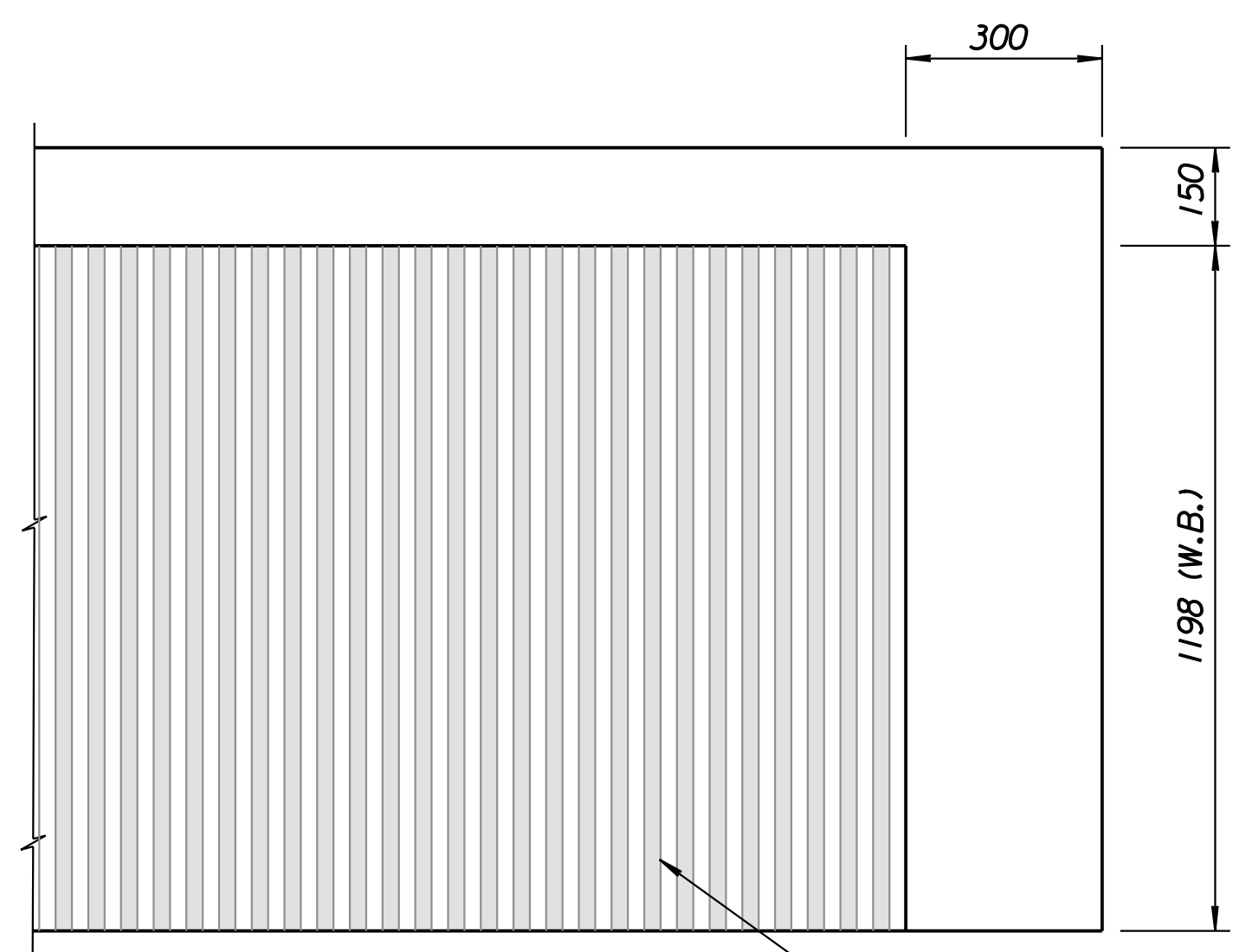
Note: 1-27mm dia. PVC for conductor use
1-27mm dia. PVC for ground use
See Lighting Details for location.



SECTION A-A

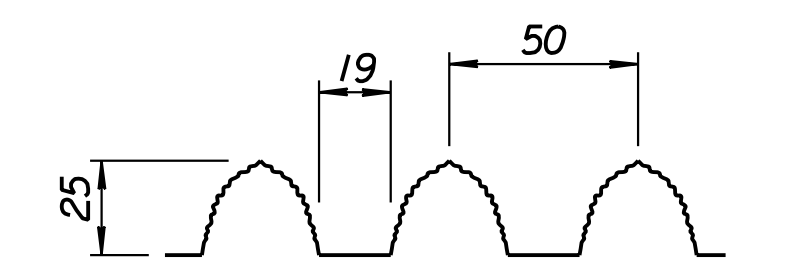


SECTION

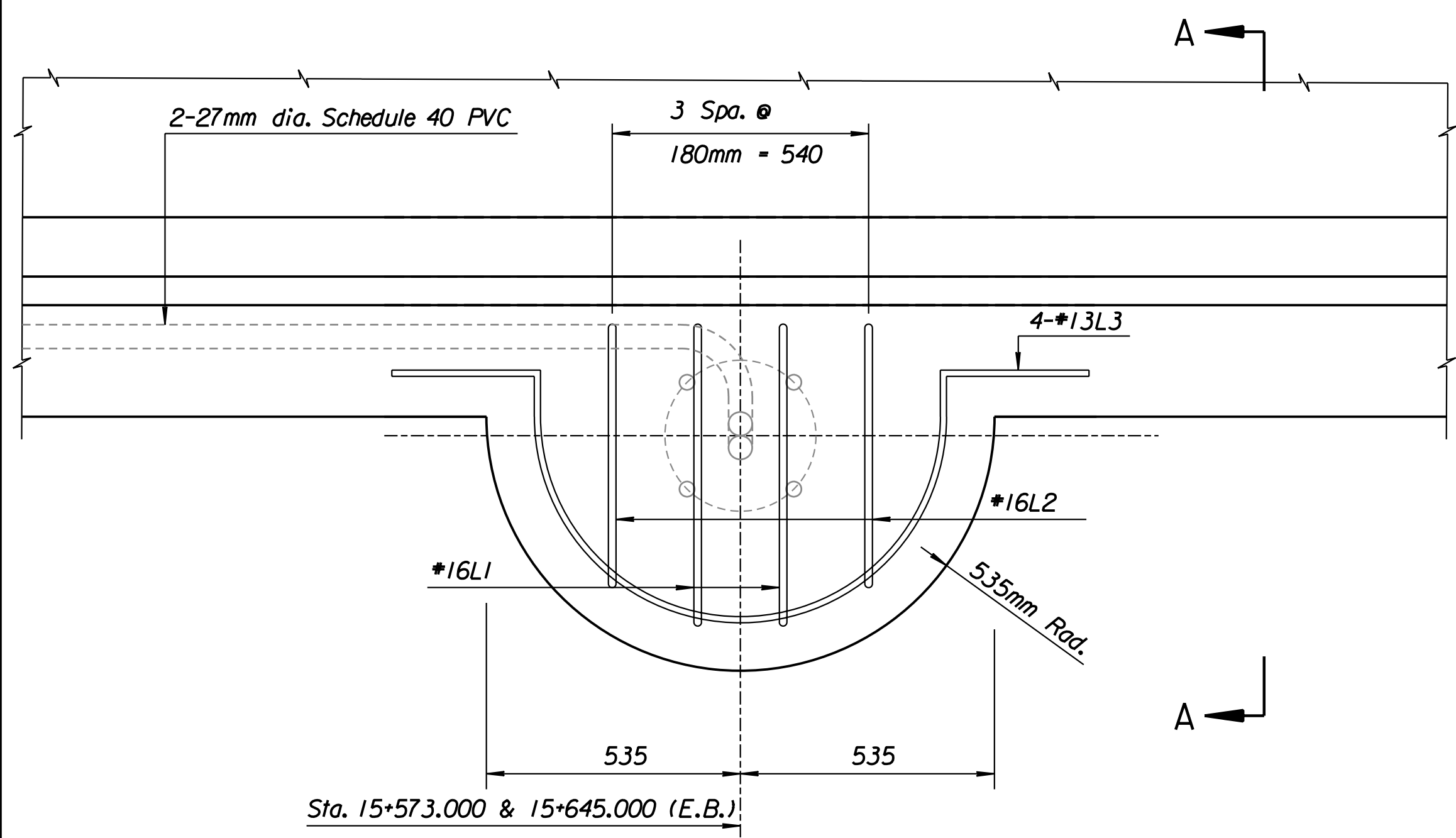


ELEVATION

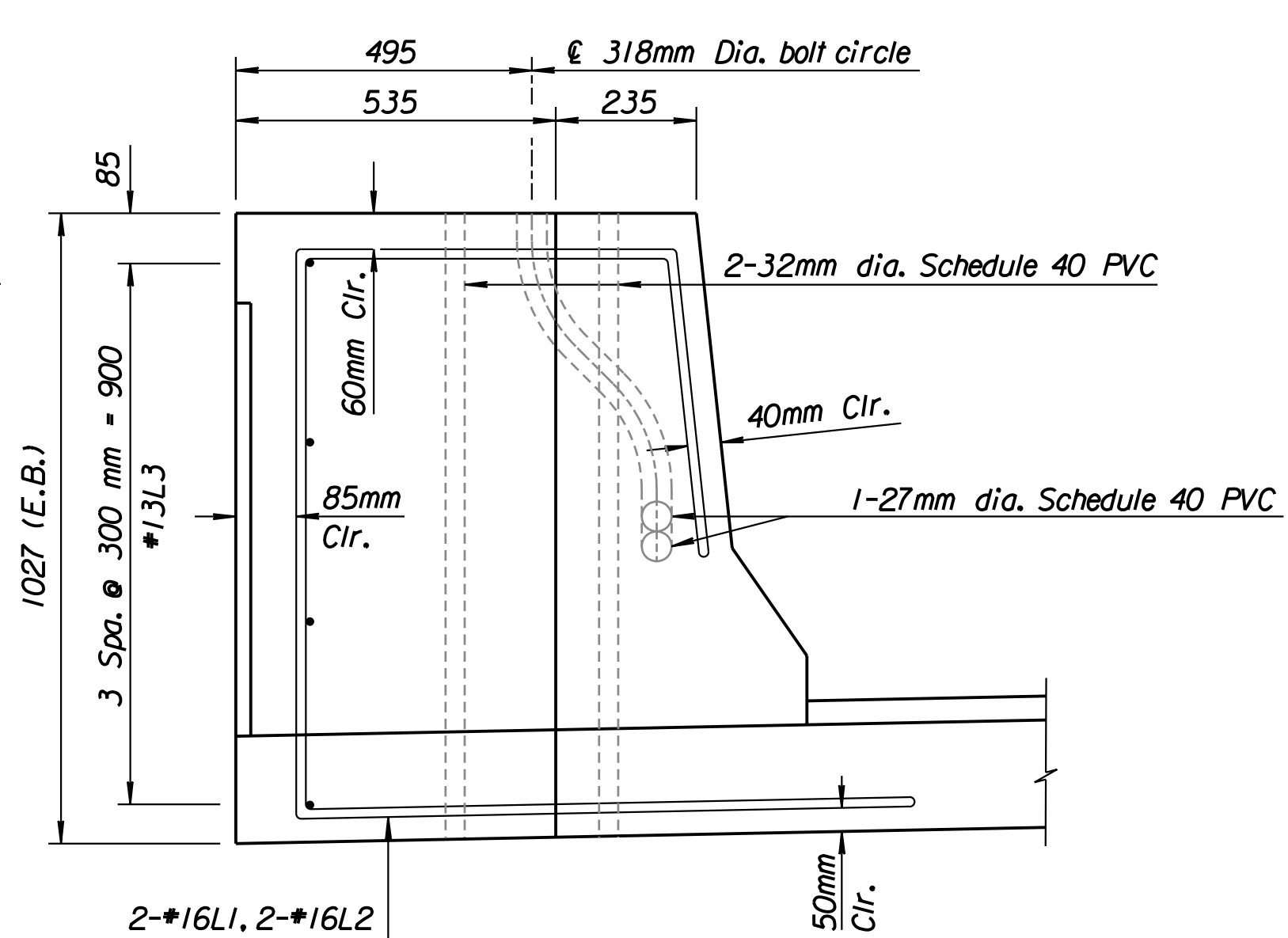
RUSTICATION DETAIL



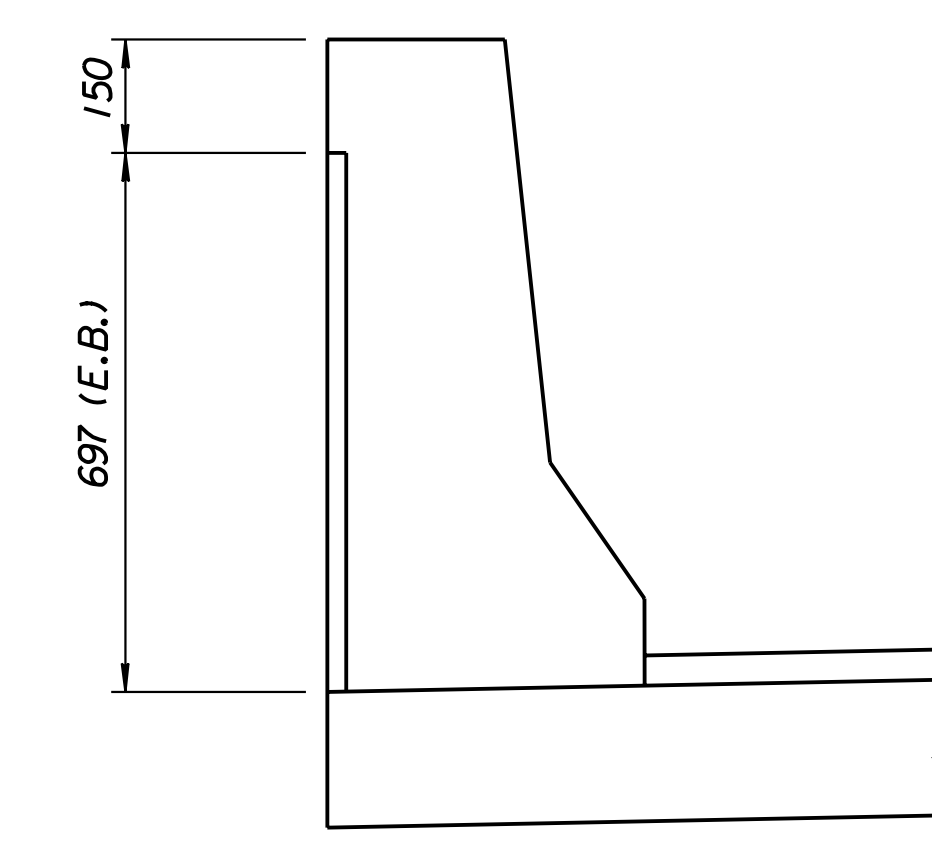
Typical Texture
(*109 Fractured Fin by Scott System, Inc.)



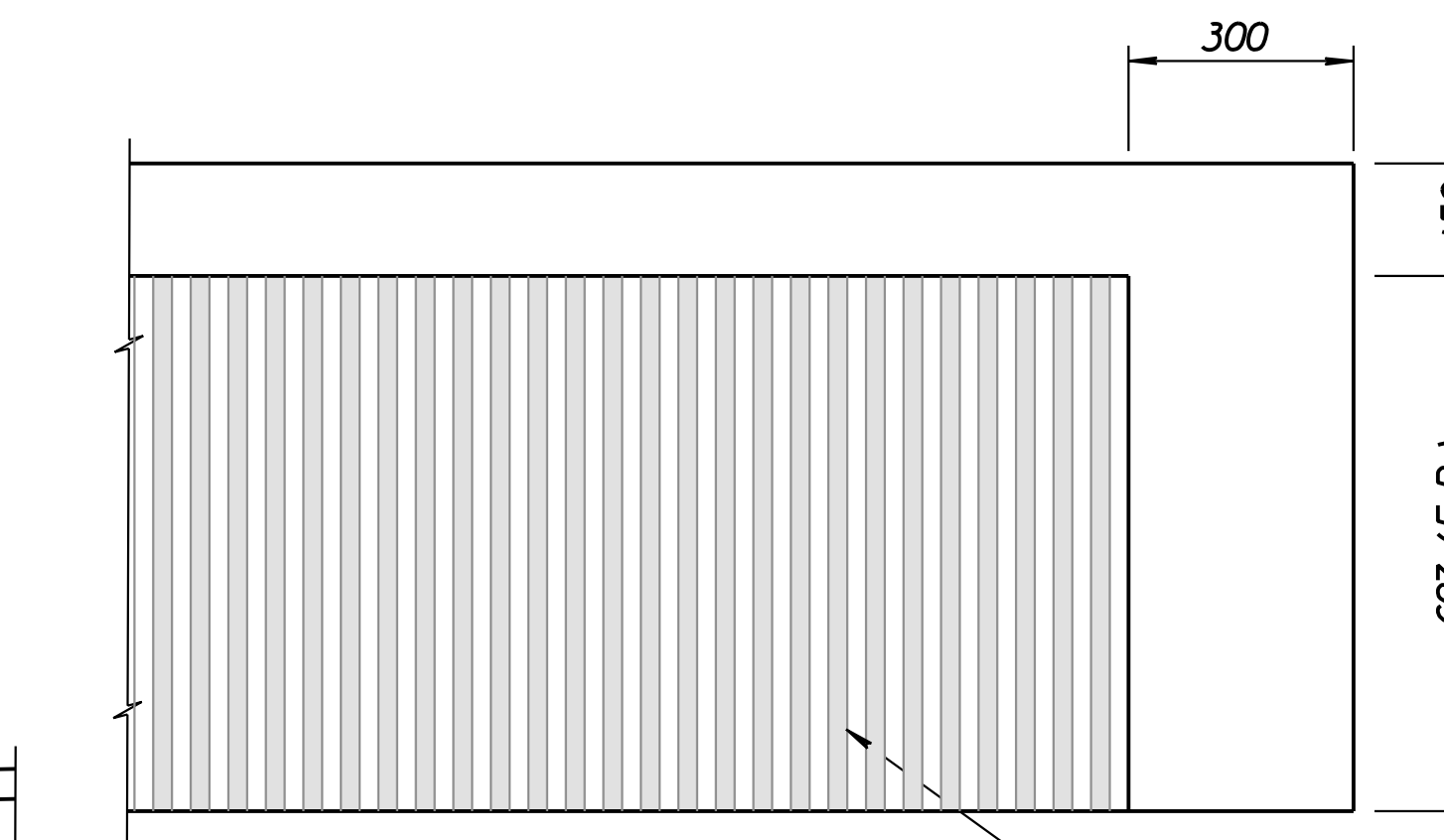
PLAN



SECTION A-A



SECTION



ELEVATION

RUSTICATION DETAIL

Drawn by: ras
 Plotted by: gdr
 11/1997 19:36Z / As-Built: dgr/s/Vol. 3/Sh. 472-lightsupdgn Last Rev: 8-31-07 By: gdr

1			
No.	Revisions	By	Date
CITY OF WICHITA			
BR. NO. 54-87-19.05 (489) W.B.		STA. 15+612.397	
BR. NO. 54-87-19.06 (491) E.B.		STA. 15+612.397	
MISCELLANEOUS BARRIER DETAIL			
KELLOGG (US-54) OVER MAIZE ROAD			
SEDGWICK COUNTY			
Professional Engineering Consultants, P.A.			
303 S. TOPEKA • WICHITA, KANSAS 67202			
316-262-2691 • FAX 316-262-3003			
Designed by	RAS	Checked by	RAS
Drawn by	BJS	Date	April, 2002
		Job No.	97362

RECORD DRAWING