

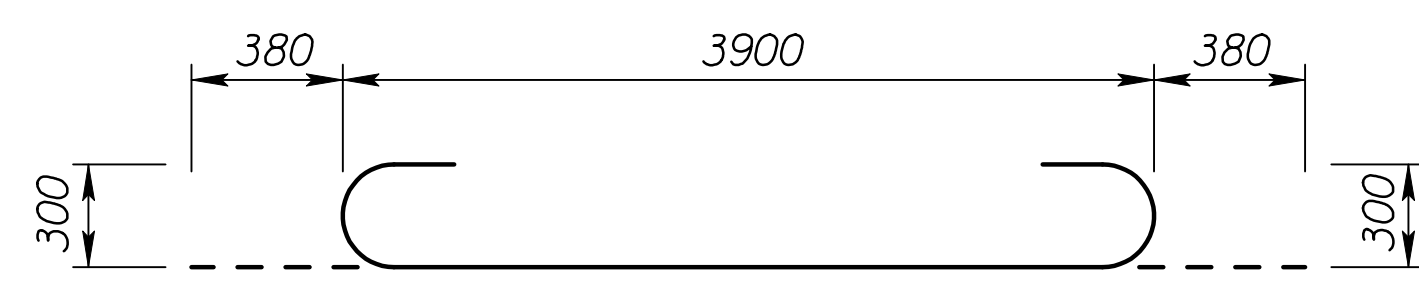
STATE	PROJECT NO.	YEAR	SHEET NO.	TOTAL SHEETS
KANSAS	54-87 K-6657-01	2002	476	1122

BILL OF REINFORCING STEEL
Grade 420

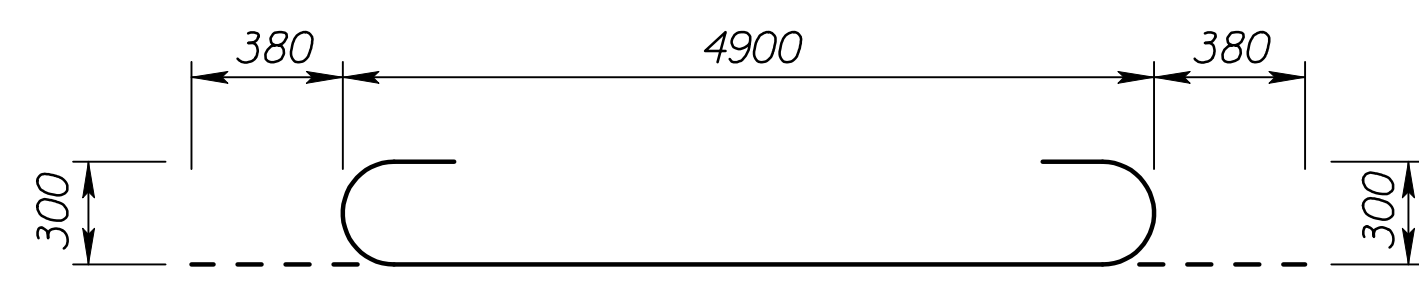
Straight Bars				Bent Bars			
Mark	Size	Number	Length	Mark	Size	Number	Length
P3-1	36	34	6240	PF1	29	48	4660
				PF2	29	38	5660
P3-4	16	20	Varies	PF3	36	68	4110
P3-10	16	28	Varies	P3-2	16	12	4120
P3-11	19	4	8780	P3-3	13	96	1140
P4-1	36	34	6420	P3-5	16	28	1660
				P3-6	16	52	Varies
P4-4	16	20	Varies	P3-7	16	52	4900
				P3-8	16	36	Varies
P4-10	16	28	Varies	P3-9	16	36	2800
P4-11	19	4	8780				
				P3-12	16	9	2100
				P3-13	36	14	9740
				P4-2	16	12	4120
				P4-3	13	96	1140
				P4-5	16	28	1660
				P4-6	16	52	Varies
				P4-7	16	52	4900
				P4-8	16	36	Varies
				P4-9	16	36	2800
				P4-12	16	9	2100
				P4-13	36	9	9740
				P4-14	36	5	9590
				GP1	13	36	1300
				GP2	13	20	2200
P3-1	36	34	6240	PF1	29	48	4660
				PF2	29	38	5660
P3-4	16	20	Varies	PF3	36	68	4110
P3-10	16	28	Varies	P3-2	16	12	4120
P3-11	19	4	8780	P3-3	13	96	1140
P4-1	36	34	6420	P3-5	16	28	1660
				P3-6	16	52	Varies
P4-4	16	20	Varies	P3-7	16	52	4900
				P3-8	16	36	Varies
P4-10	16	28	Varies	P3-9	16	36	2800
P4-11	19	4	8780				
				P3-12	16	9	2100
				P3-13	36	14	9740
				P4-2	16	12	4120
				P4-3	13	96	1140
				P4-5	16	28	1660
				P4-6	16	52	Varies
				P4-7	16	52	4900
				P4-8	16	36	Varies
				P4-9	16	36	2800
				P4-12	16	9	2100
				P4-13	36	9	9740
				P4-14	36	5	9590
				GP1	13	36	1300
				GP2	13	20	2200

Pier No. 1 (Non-Epoxy)
Substructure

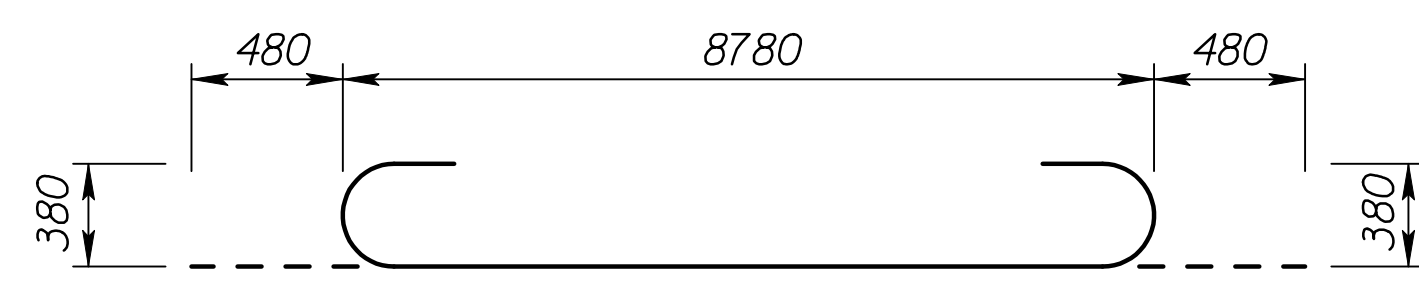
Pier No. 2 (Non-Epoxy)
Substructure



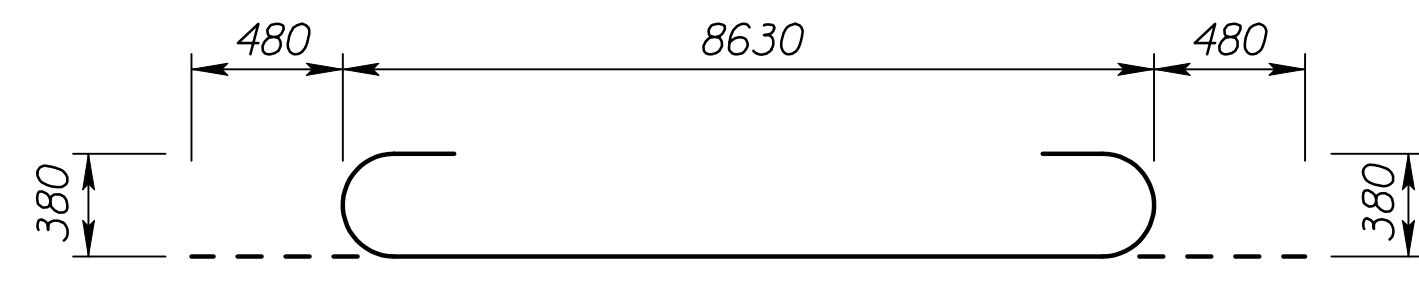
PF1



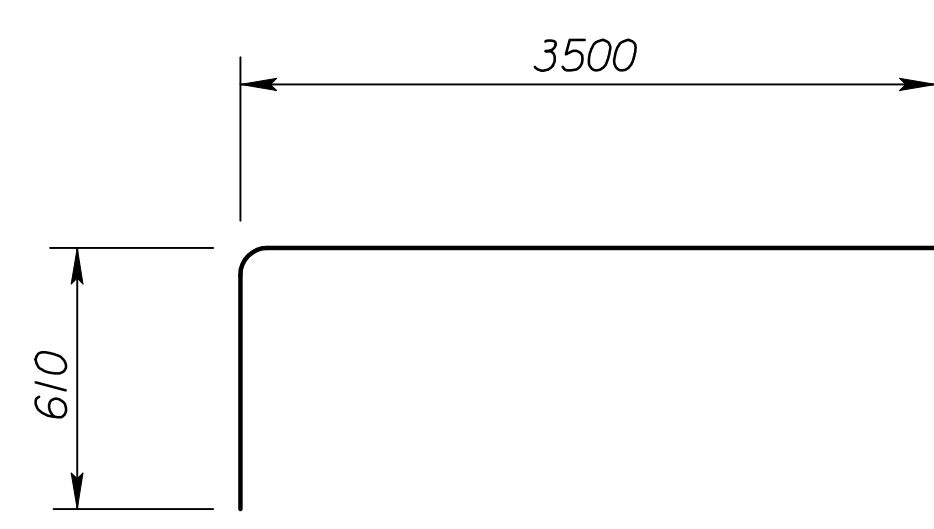
PF2



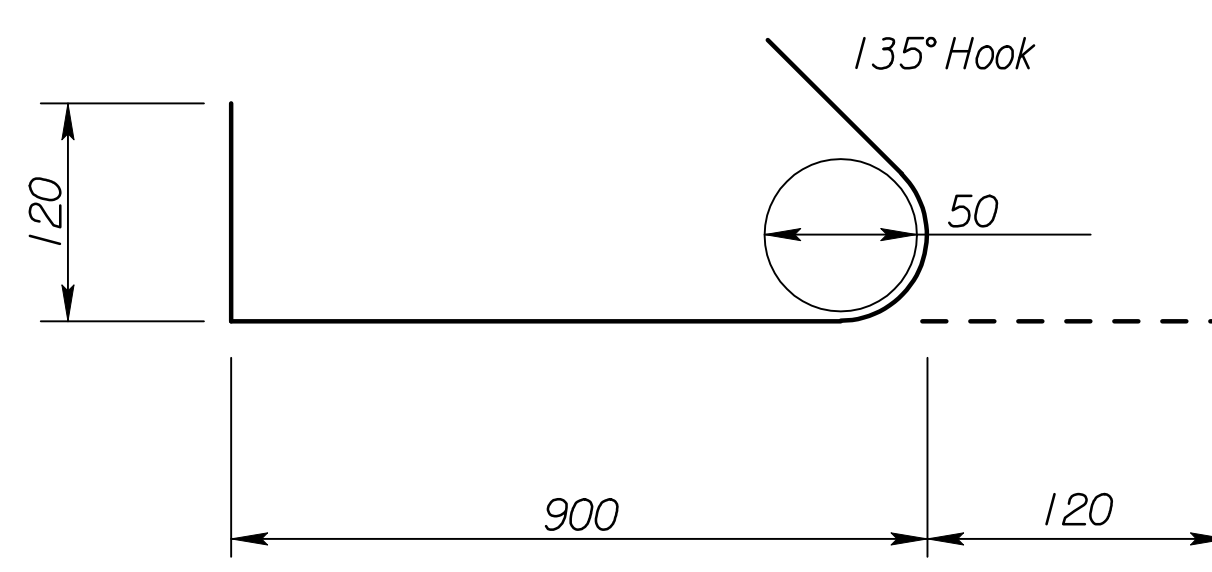
P3-13, P4-13



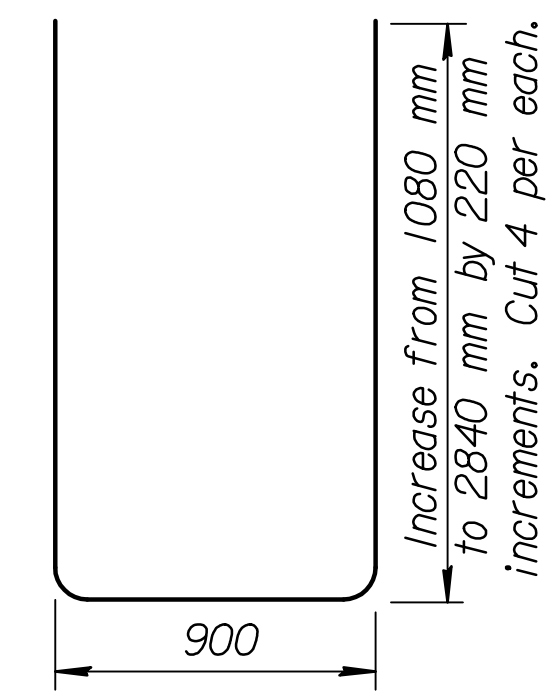
P4-14



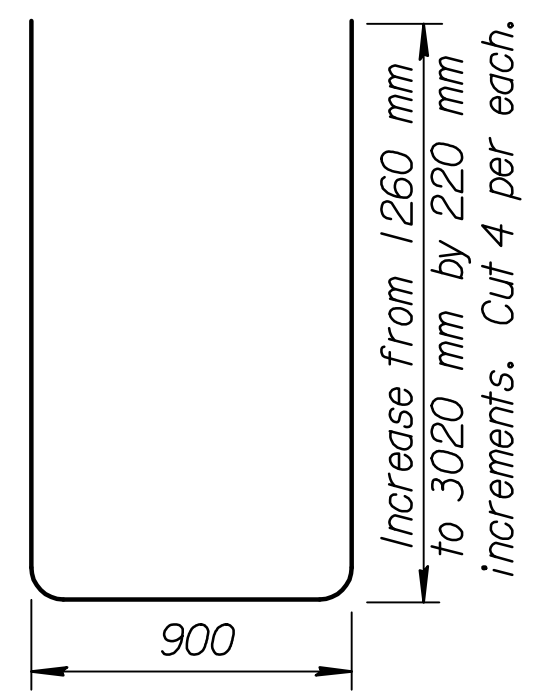
PF3



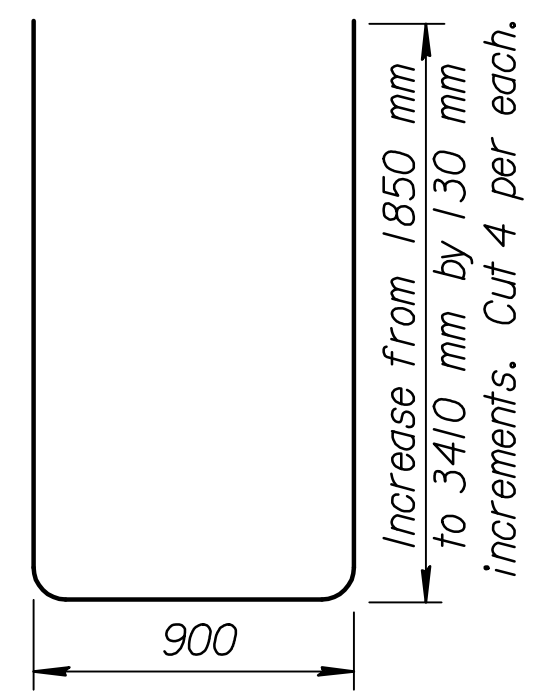
P3-3, P4-3



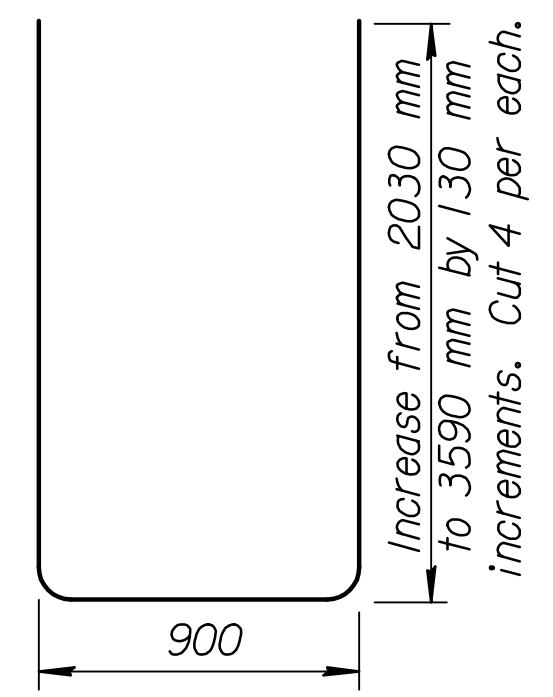
P3-8



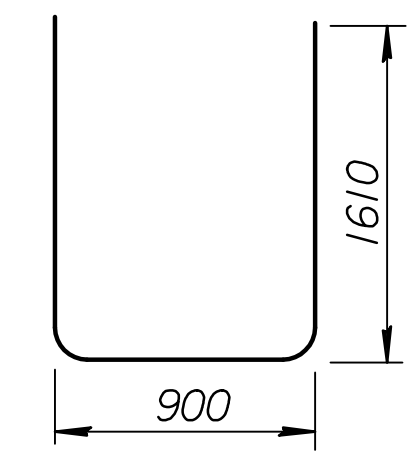
P4-8



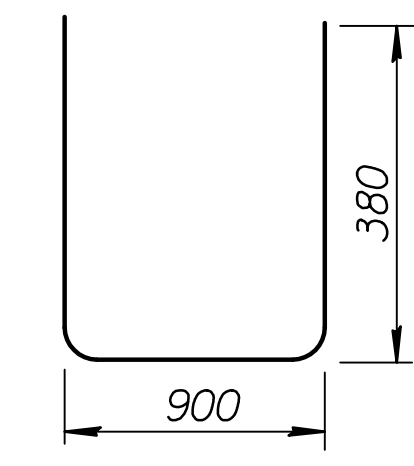
P3-6



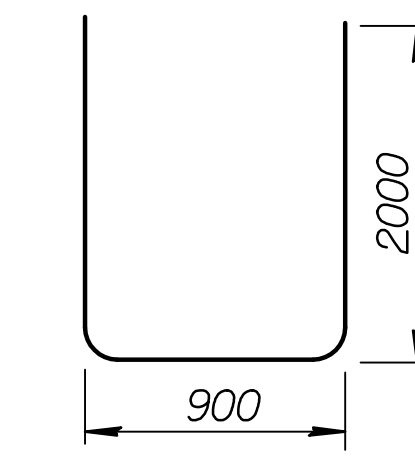
P4-6



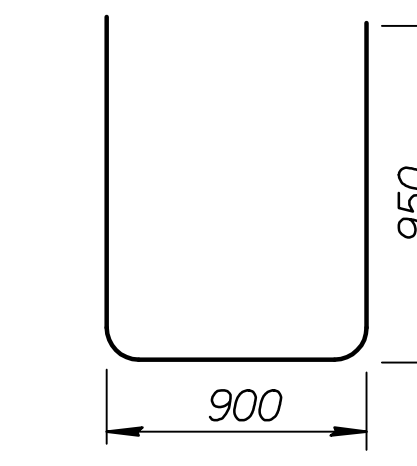
P3-2, P4-2



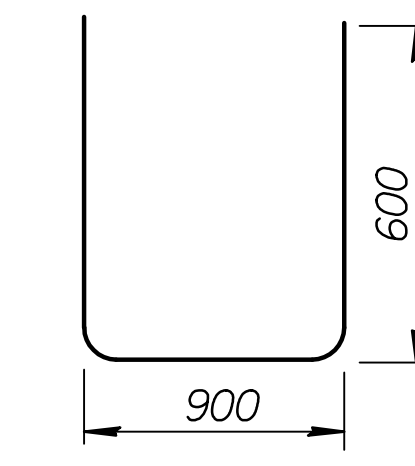
P3-5, P4-5



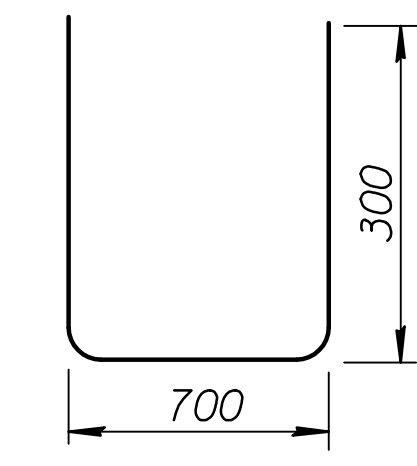
P3-7, P4-7



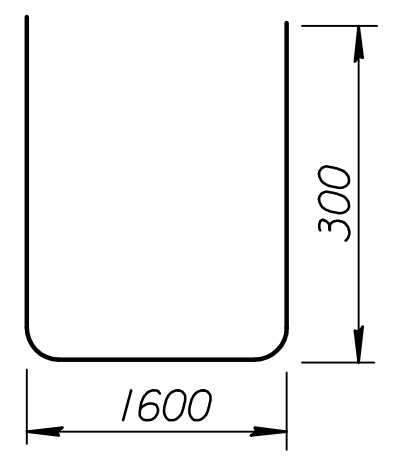
P3-9, P4-9



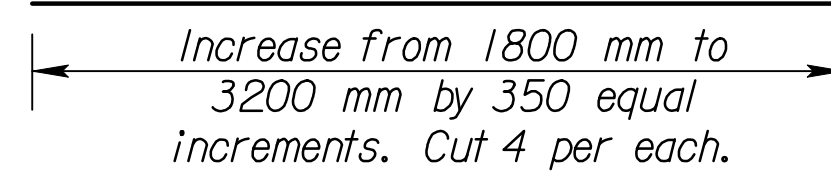
P3-12, P4-12



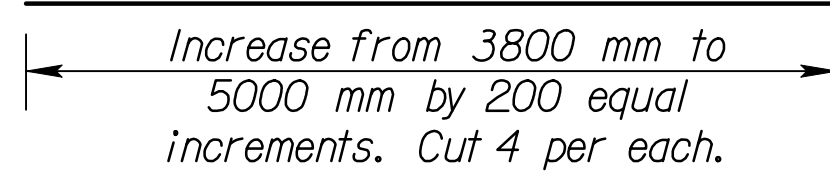
GP1



GP2



P3-4, P4-4



P3-10, P4-10

BENDING DIAGRAMS
(All Dimensions are out to out of bars.)

RECORD DRAWING

2					
1					
NO.	DATE	REVISIONS	BY	APP'D	
CITY OF WICHITA					
Br. No. 54-87-19.06(49) E.B. Sta. 15+612.397					
BILL OF REINFORCING STEEL					
AND					
BENDING DIAGRAMS					
Sedgwick County					
SHEET NO.	OF	SCALE	APP'D		
DESIGNED	DRT	DETAILED	DRT	QUANTITIES	CADD
DESIGN CK.	SMS	DETAIL CK.		QUAN. CK.	CADD CK.

Scale : 1/2.5
 Plotted By : gdf
 Plot File : I:\1997\97362\As-Builts\dgn\Vol_3\Sh 476-KDOT_ST-D-pierreinFB.dgn Last Rev: 8-31-07 By: gdf
 Plot Date : Sept. 07