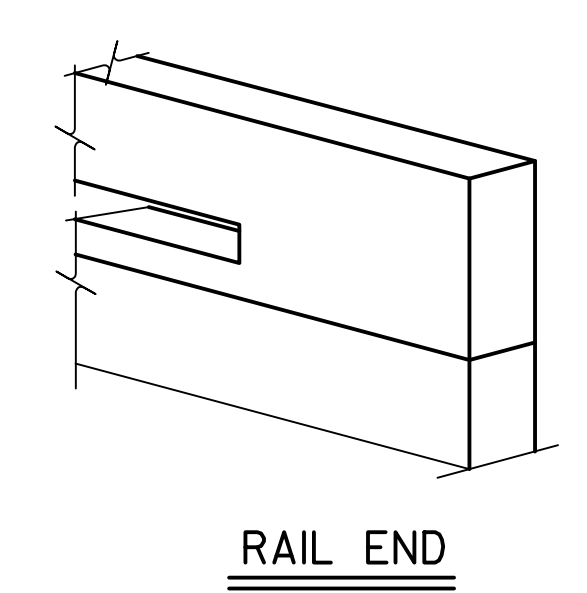
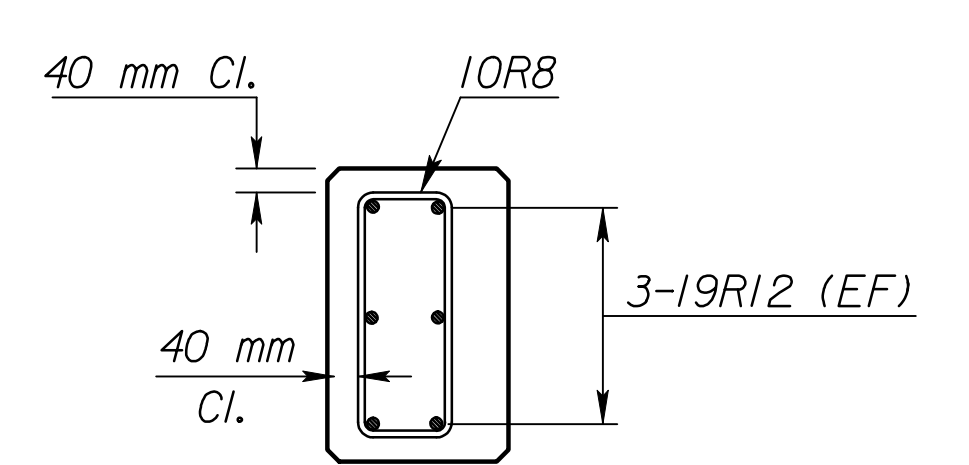
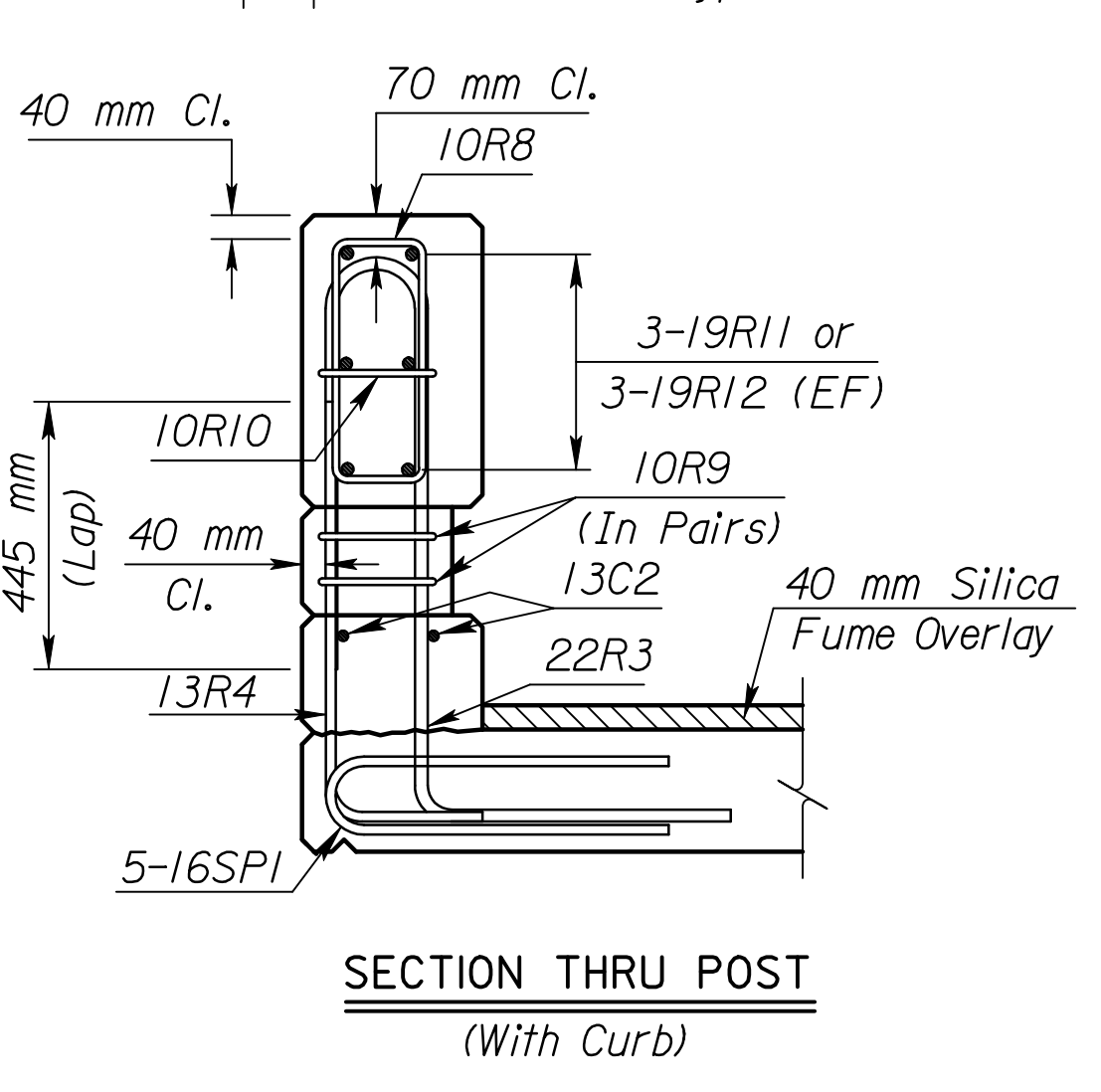
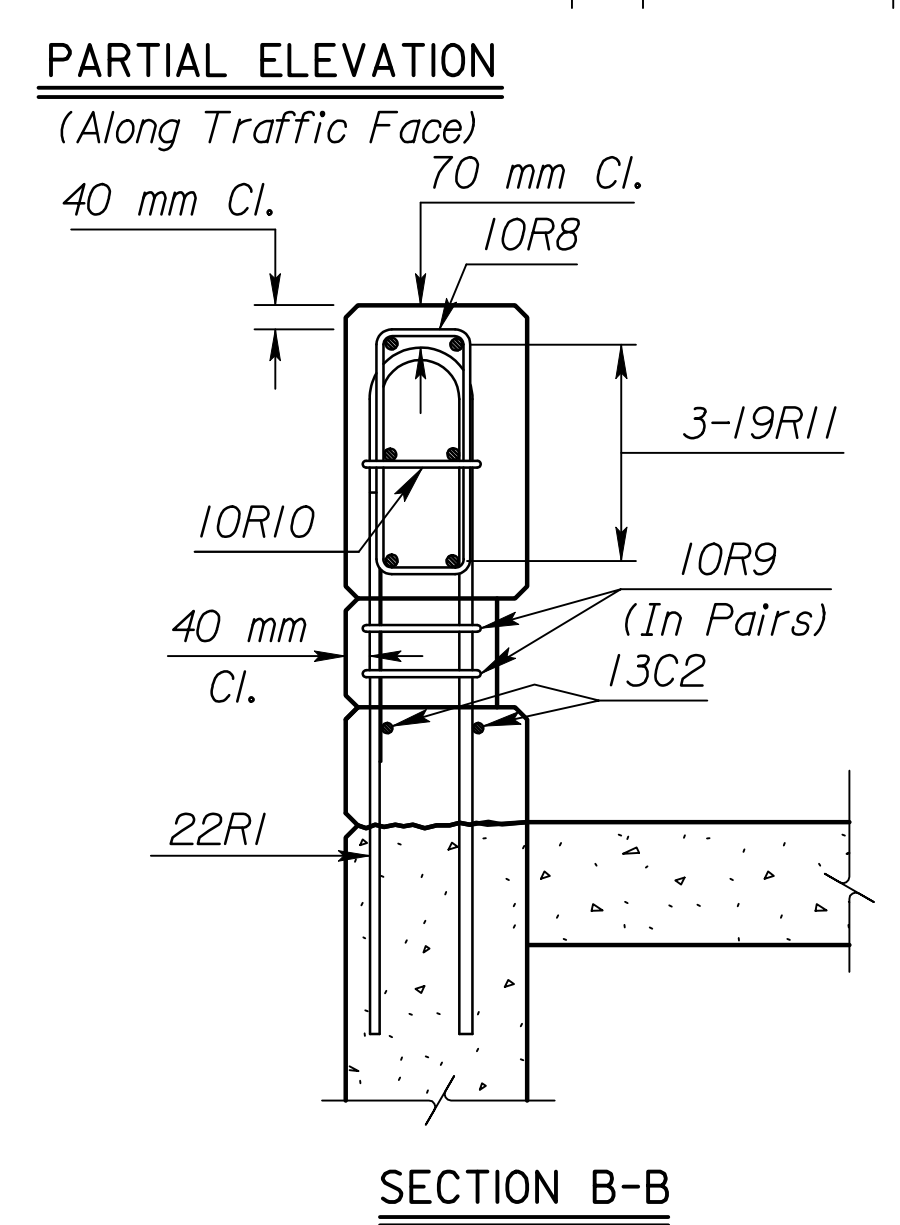
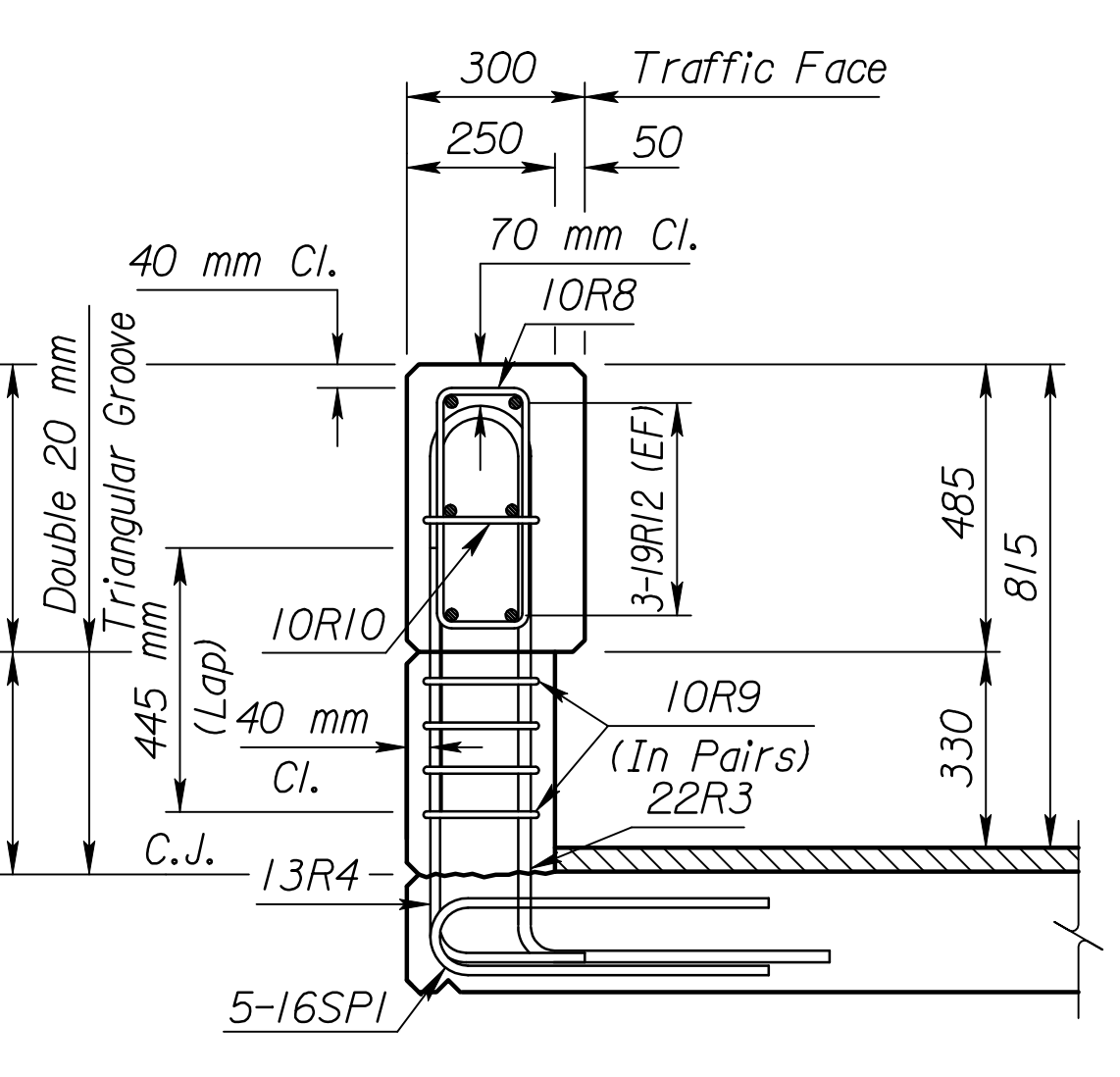
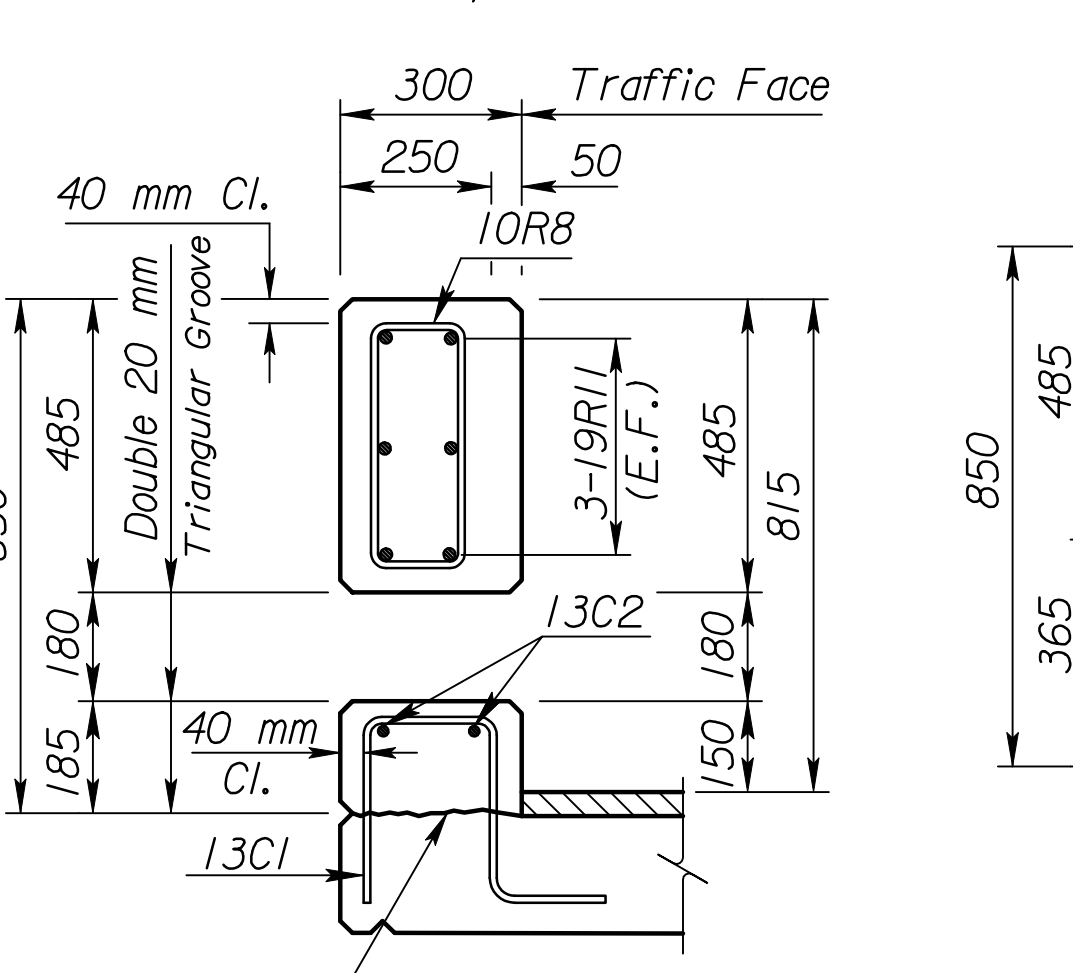
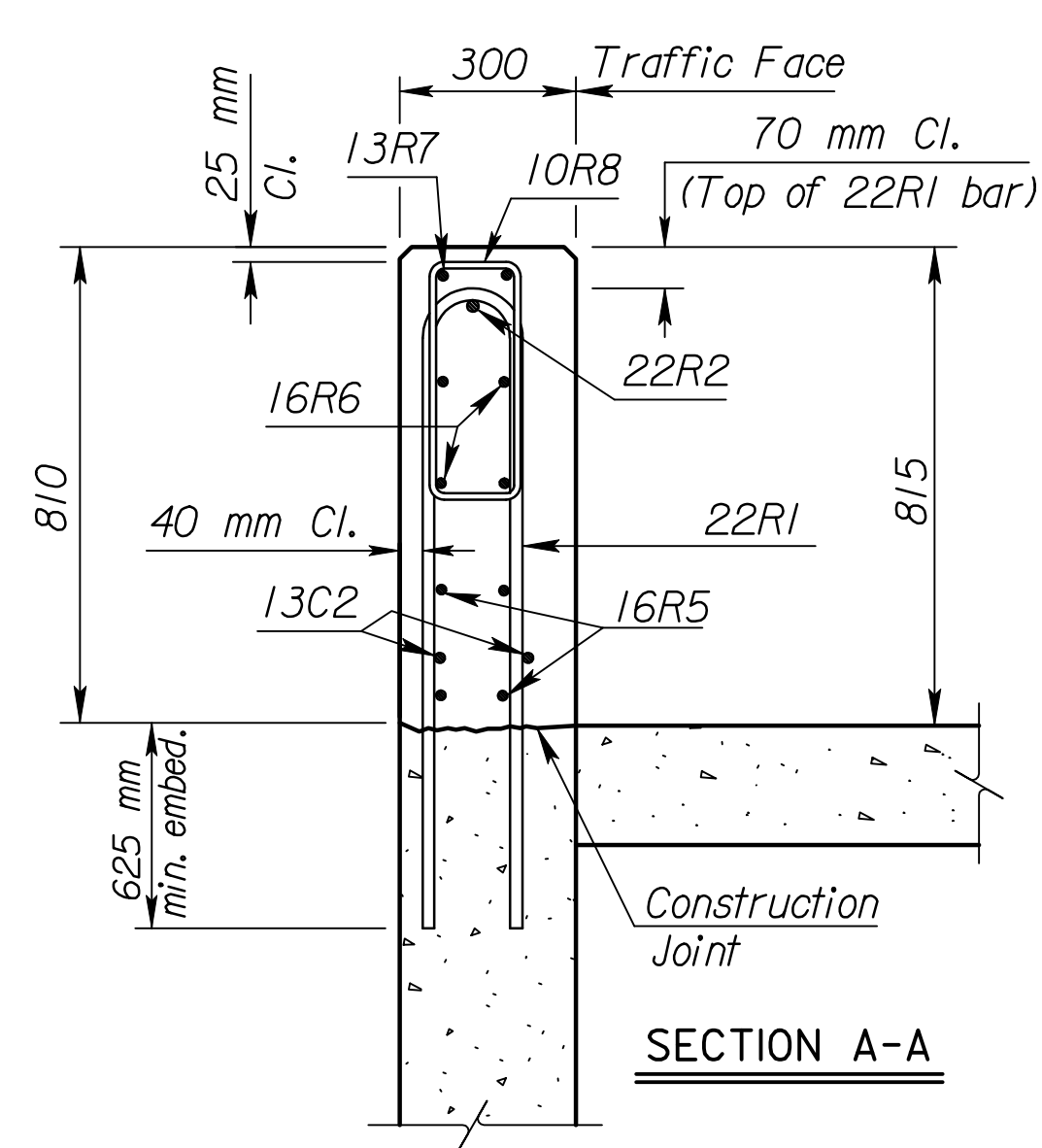
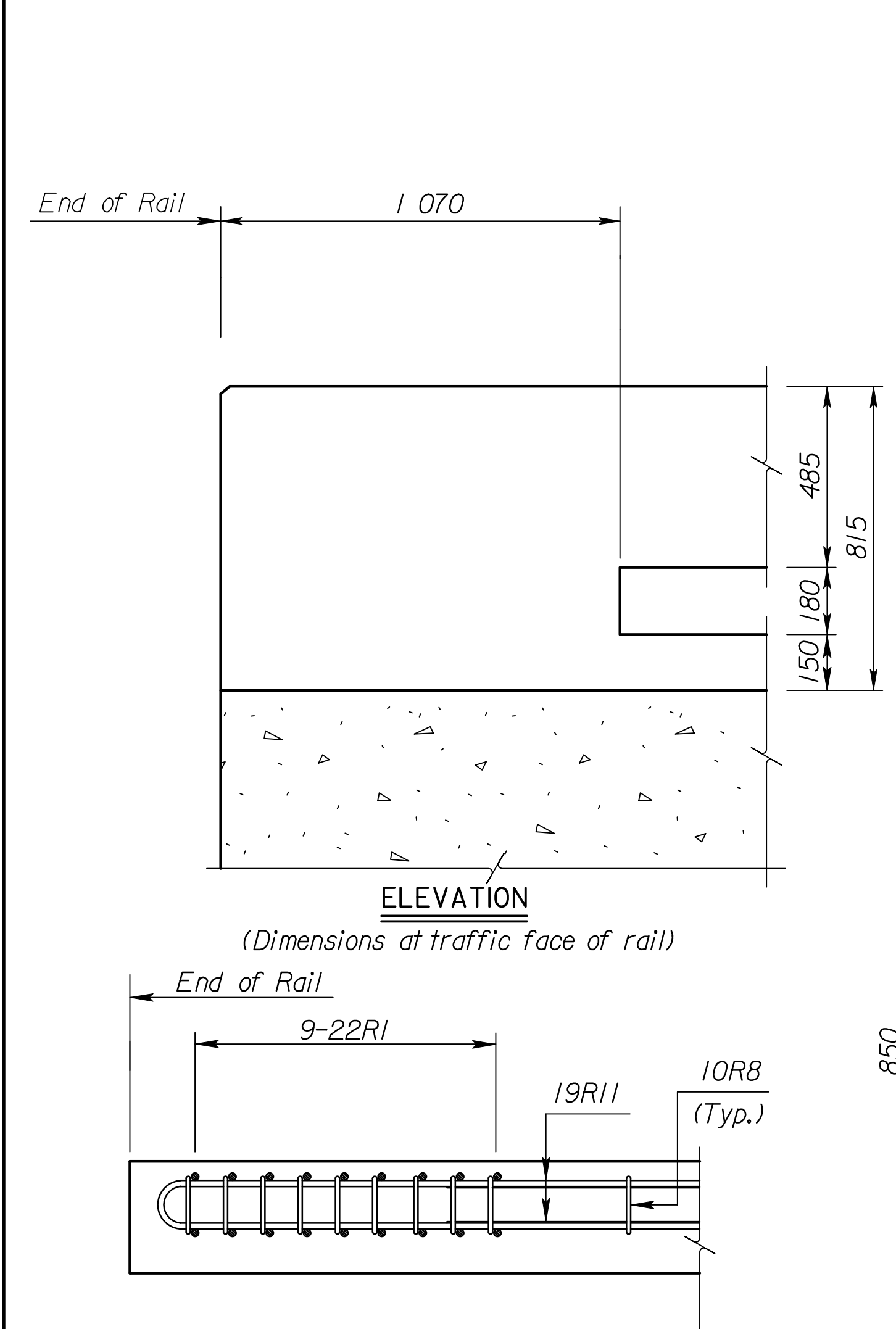
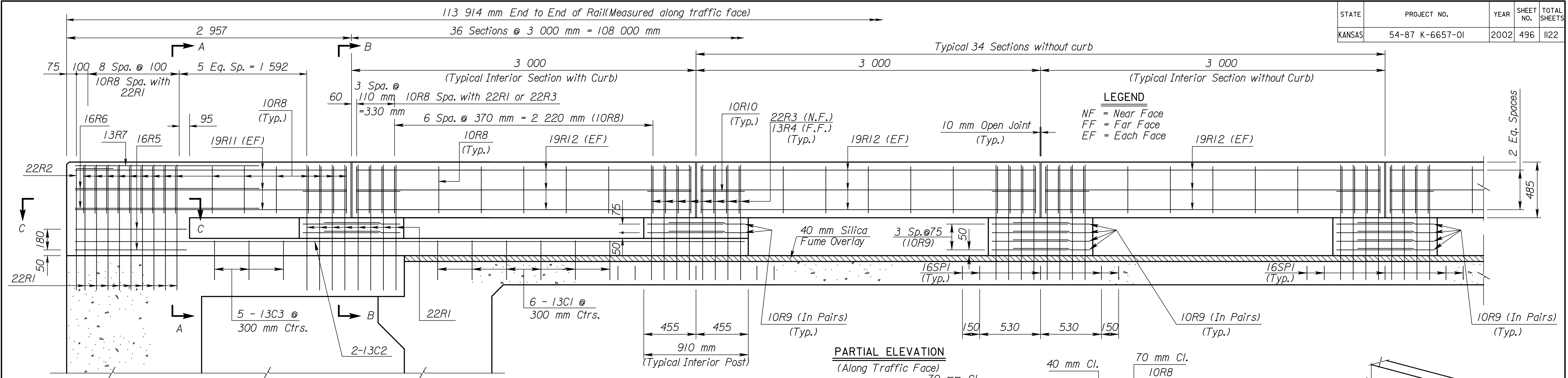


STATE	PROJECT NO.	YEAR	SHEET NO.	TOTAL SHEETS
KANSAS	54-87 K-6657-01	2002	496	1122



Plotted By : gdr  
 Plot File : I:\1997\97362\As-Builts\dgrs\Vol\_3\Sh\_496-KDOT\_ST-D-SouthRail.dgn  
 Last Rev: 9-4-07  
 By: gdr  
 Plot Date : Sept 07

3				
2				
1	6-14-96	Current Release		
NO.	DATE	REVISIONS	BY	APP'D
<b>CITY OF WICHITA</b> Br. No. 54-87-19.32(495)F.W.B. Sta. 16+016.230 815 mm KANSAS CORRAL RAIL WB Frontage Rd. South Rail Sedgwick Co.				
SHEET NO.	OF	SCALE	APP'D	
DESIGNED		DETAILED	QUANTITIES	CADD
DESIGN CK.		DETAIL CK.	QUAN. CK.	CADD CK.

**RECORD DRAWING**